



Chipsmall Limited consists of a professional team with an average of over 10 year of expertise in the distribution of electronic components. Based in Hongkong, we have already established firm and mutual-benefit business relationships with customers from,Europe,America and south Asia,supplying obsolete and hard-to-find components to meet their specific needs.

With the principle of “Quality Parts,Customers Priority,Honest Operation,and Considerate Service”,our business mainly focus on the distribution of electronic components. Line cards we deal with include Microchip,ALPS,ROHM,Xilinx,Pulse,ON,Everlight and Freescale. Main products comprise IC,Modules,Potentiometer,IC Socket,Relay,Connector.Our parts cover such applications as commercial,industrial, and automotives areas.

We are looking forward to setting up business relationship with you and hope to provide you with the best service and solution. Let us make a better world for our industry!



Contact us

Tel: +86-755-8981 8866 Fax: +86-755-8427 6832

Email & Skype: info@chipsmall.com Web: www.chipsmall.com

Address: A1208, Overseas Decoration Building, #122 Zhenhua RD., Futian, Shenzhen, China



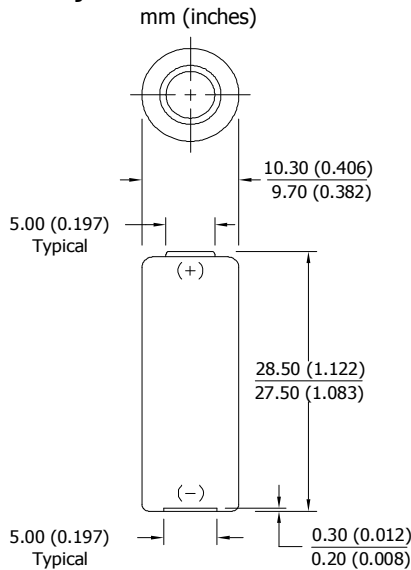
ENERGIZER A23

ZERO MERCURY

Miniature Alkaline



Industry Standard Dimensions



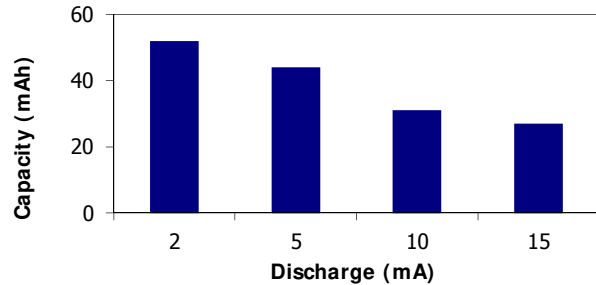
Designed for electronic applications which may require high rate pulses.

Specifications

- Classification:** Miniature Alkaline
- Chemical System:** Manganese Dioxide (MnO₂)
- Designation:** ANSI-1181A
- Nominal Voltage:** 12 volts
- Typical Capacity:** 45 mAh to 6.0 Volts
(rated at 20K ohms at 21°C)
- Typical Weight:** 8.0 grams (0.3 oz.)
- Typical Volume:** 1.1 cubic centimeters (0.07 cubic inch)
- Jacket:** Metal
- Terminal:** Flat Contact

Milliamp-Hours Capacity

Continuous discharge to 6.0 volts at 21°C



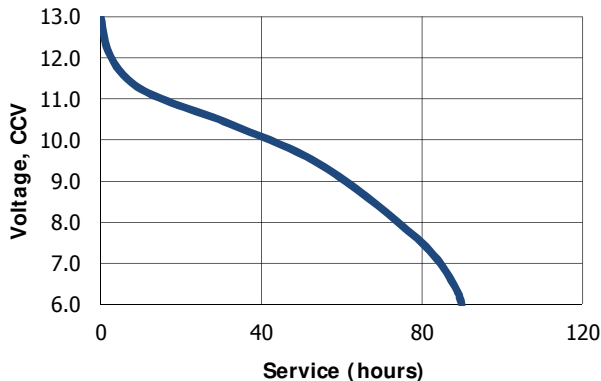
Typical Discharge Durations

Continuous discharge at 21°C

Schedule (time)	Drain (mA)	Load (ohms)	Cutoff Voltage		
			8.8V (hours)	7.2V (hours)	6.0V (hours)
Continuous	0.5	20K	64	83	90

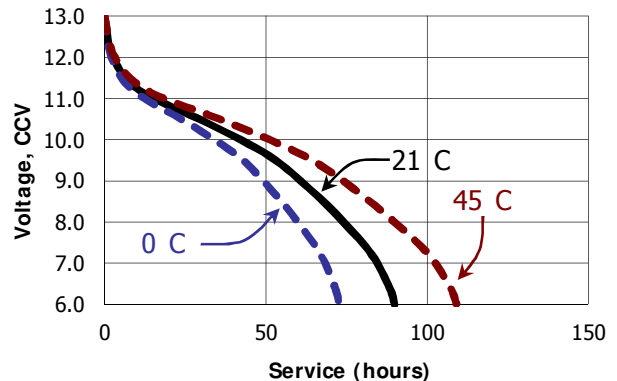
Discharge Characteristics

Schedule: Continuous
Typical Load: 20 KΩ (21°C)



Temperature Characteristics

Schedule: Continuous
Typical Load: 20 KΩ



Important Notice

This datasheet contains typical information specific to products manufactured at the time of its publication.
© Energizer Holdings, Inc. - Contents herein do not constitute a warranty.