



Chipsmall Limited consists of a professional team with an average of over 10 year of expertise in the distribution of electronic components. Based in Hongkong, we have already established firm and mutual-benefit business relationships with customers from,Europe,America and south Asia,supplying obsolete and hard-to-find components to meet their specific needs.

With the principle of “Quality Parts,Customers Priority,Honest Operation,and Considerate Service”,our business mainly focus on the distribution of electronic components. Line cards we deal with include Microchip,ALPS,ROHM,Xilinx,Pulse,ON,Everlight and Freescale. Main products comprise IC,Modules,Potentiometer,IC Socket,Relay,Connector.Our parts cover such applications as commercial,industrial, and automotives areas.

We are looking forward to setting up business relationship with you and hope to provide you with the best service and solution. Let us make a better world for our industry!



Contact us

Tel: +86-755-8981 8866 Fax: +86-755-8427 6832

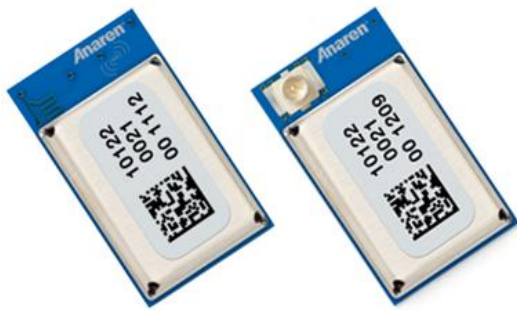
Email & Skype: info@chipsmall.com Web: www.chipsmall.com

Address: A1208, Overseas Decoration Building, #122 Zhenhua RD., Futian, Shenzhen, China



Anaren®

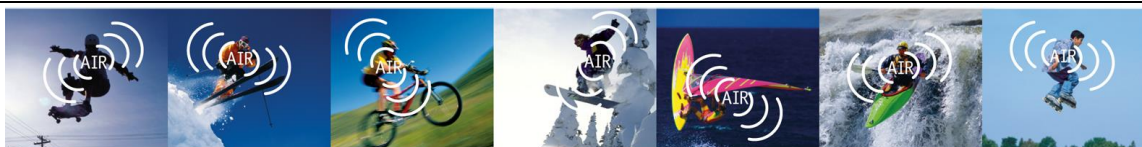
What'll we think of next?®



Anaren Integrated Radio

A2541E24x User's Manual

Release Date: 11/14/16



Anaren Integrated Radio

THIS PAGE INTENTIONALLY LEFT BLANK

USER'S MANUAL

Models A2541E24A and A2541E24C

Contents

1.	Overview	5
1.1.	A2541E24A	5
1.2.	A2541E24C	5
1.3.	Features.....	6
1.4.	Theory of Operation.....	6
1.5.	Applications	9
2.	Approvals and Usage	10
2.1.	Product Approvals.....	10
2.1.1.	USA (<i>Federal Communications Commission, FCC</i>).....	10
2.1.1.1.	FCC Labeling Requirements	10
2.1.1.2.	End User Manual	11
2.1.1.3.	RF Exposure.....	11
2.1.2.	Canada (<i>Industry Canada, IC</i>).....	11
2.1.2.1.	IC Labeling Requirements	13
2.1.2.2.	RF Exposure.....	14
2.1.3.	Europe (<i>Conformité Européenne, CE</i>).....	15
2.1.4.	Taiwan (<i>NCC, NCC</i>).....	16
2.1.4.1.	NCC warning statement:	16
2.1.4.2.	NCC ID warning statement:.....	16
2.2.	Potential Interference Sources	17
2.2.1.	WLAN.....	17
2.2.2.	Bluetooth®	17
2.2.3.	Microwave ovens.....	17
2.2.4.	Other Interference	18
2.2.5.	Time critical data.....	18
2.3.	Approved Usage	19
2.3.1.	USA and Canada.....	19
2.3.2.	Europe	20
3.	Electrical Characteristics	21
3.1.	Absolute Maximum Ratings	21
3.2.	Operating Conditions	22
3.3.	Pin Out.....	22
3.4.	Recommended Layout (dimensions in mm)	24
3.5.	Power Supply Considerations	26
4.	Mechanical and Process.....	27
4.1.	Radio Module Details (dimensions in mm).....	27
4.1.1.	A2541E24A.....	27
4.1.2.	A2541E24C.....	27
4.2.	Packaging Details (dimensions in mm).....	28
4.2.1.	Matrix Tray Packaging	28
4.2.2.	Tape-Reel Packaging	28
4.3.	Soldering.....	29
4.3.1.	Manual Mounting Procedure	29
4.3.2.	Automated Mounting Procedure	30



THIS PAGE INTENTIONALLY LEFT BLANK

1. Overview

The A2541E24A and A2541E24C are surface mount 2.4GHz RF transceivers incorporating *Bluetooth*[®] SMART technology per the Bluetooth v4.0 core specification. The A2541E24A has an integral antenna, whereas the A2541E24C utilizes an external antenna through a U.FL connector (see Table 1). These modules incorporate crystals, the required RF matching and filtering for regulatory compliance as well as filtering for noise reduction and sensitivity. They operate in the global unlicensed 2.4GHz ISM/SRD frequency band. The modules are ideal for achieving low power, long range wireless connectivity without having to deal with extensive protocol, RF, antenna design and regulatory compliance, and provide quick time to market. They are 100% tested to provide consistent performance.

The A2541E24A and A2541E24C modules have received regulatory approvals for modular devices in the United States (FCC), Canada (IC) and Europe (ETSI). The modular approval allows the end user to place either an A2541E24A or an A2541E24C with an approved antenna inside a finished product without having to perform costly regulatory testing for an intentional RF radiator. Section 2.3 has information on the requirements for the end user/integrator to fulfill in order to use the modules without intentional radiator regulatory testing.

The A2541E24A and A2541E24C are based on the CC2541 SoC transceiver and CC2590 PA/LNA, both from Texas Instruments (TI). The CC2541 combines the excellent performance of a leading RF transceiver with an industry-standard enhanced 8051 microcontroller unit (MCU), 256-KB in-system programmable flash memory, 8-KB RAM with retention in all power modes, and many other powerful features. The CC2541 has various operating modes, making it highly suited for systems where ultralow power consumption is required. Short transition times between operating modes further ensure low energy consumption. All control lines are provided at module level for full control of the operation. Please see the user’s guide for CC2541 (www.ti.com) for how to operate, program and control these modules.

The A2541E24A and A2541E24C modules measure 11 mm x 19 mm x 2.5 mm. The modules are footprint compatible with each other.

1.1. A2541E24A

The A2541E24A has an integral antenna, providing high efficiency and near omni-directional radiation pattern. This approach offers the lowest system cost when the application allows collocation of radio and antenna. See Figure 7 - Figure 8 for more information on antenna location and enclosure considerations.

1.2. A2541E24C

The A2541E24C has a compact antenna connector that allows for locating the antenna away from the module due to form/function or in order to exit a metal enclosure. Please see Table 1 for a list of approved antennas.



1.3. Features

Features:

- 2.4 GHz incorporating Bluetooth Smart technology and Proprietary RF System-on-Chip
- 2.0 to 3.6 V operation
- High-Performance and low-power 8051 microcontroller core
- Multiple power modes to control current consumption
- 256 kB Programmable Flash
- 8 kB RAM with retention in all power modes
- Programmable output power up to +9 dBm
- 18 General Purpose I/O Pins
- Excellent receiver sensitivity, -92 dBm average in BLE HGM with <1% PER.
- 3 Low power/sleep modes from 0.5 μ A to 270 μ A.
- General-Purpose Timers (One 16-Bit, Two 8-Bit), 32-kHz Sleep Timer with Capture
- RSSI/LQI support
- Battery Monitor and Temperature Sensor
- 12-Bit ADC with eight channels and configurable resolution
- AES Security Coprocessor
- 2 USARTs with several serial protocol support
- Watchdog Timer
- RoHS Compliant
- Shielded package
- LGA Footprint
- Very Small package size:
11mm x 19mm x 2.5mm
- Approximate weight 0.7 grams

Benefits Summary:

- Operating temperature-40 °C to +85 °C
- 100% RF Tested in production for repeatable performance
- No RF engineering experience necessary
- No protocol experience necessary
- Only requires a 2 layer Host PCB implementation
- FCC 15.247, IC RSS-210 and IC RSS-Gen certified.
- Compliant with ETSI EN 300 328
- No regulatory “Intentional radiator” testing required for integrating module into end product. Simple certification labeling replaces testing.

1.4. Theory of Operation

The A2541E24A and A2541E24C modules operate in the global 2.4 GHz ISM/SRD frequency band. They can be used to implement a variety of networks, including point to point, point to multi-point, peer to peer and mesh networks.



Anaren Integrated Radio

Figure 1 and Figure 2 show the functionality of A2541E24A and A2541E24C, respectively. Both modules operate in a similar manner except the antenna part where A2541E24A communicates through a built-in antenna, and A2541E24C communicates through an external antenna attached to a U.FL antenna port.

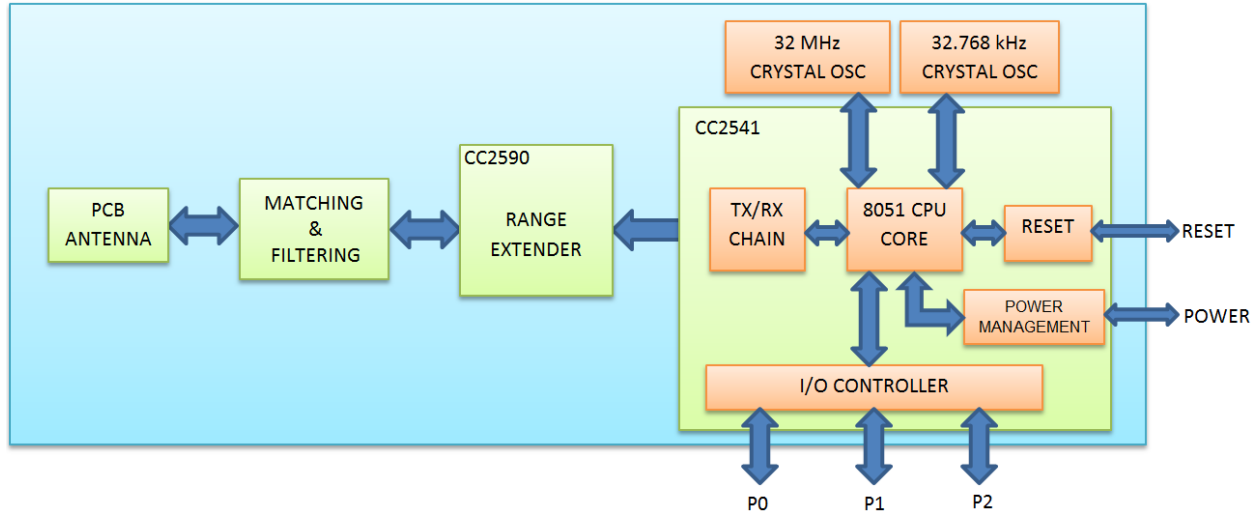


Figure 1 The functionality of the A2541E24A, using an internal antenna

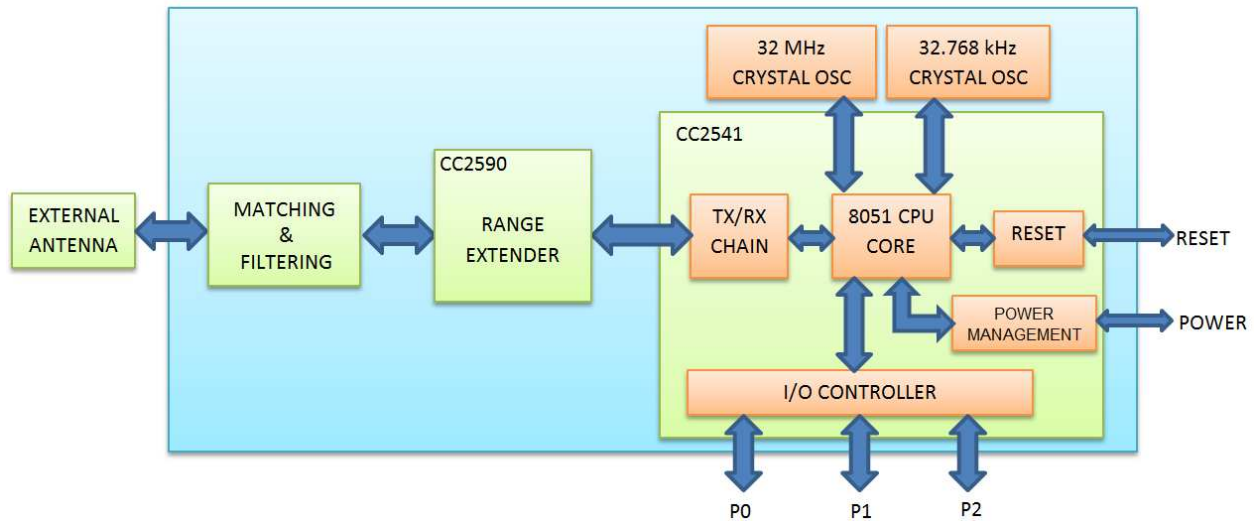


Figure 2 The functionality of the A2541E24C, using an external antenna

The description of the functional blocks shown in Figure 1 and Figure 2 is given as follows:

- Antenna
 - The antenna couples energy between the air and the module. The integral antenna and the external monopole antenna, both centered at 2441.75 MHz, provide a near omni-directional antenna pattern with high efficiency such that the



application will work in any direction. Note that the end radiation pattern depends not only on the antenna, but also the ground plane, enclosure and installation environment.

- **Matching & Filtering**
 - The matching provides the correct loading of the transmit amplifier to achieve the highest output power as well as the correct loading for the receive LNA to achieve the best sensitivity.
 - Filtering removes spurious signals to comply with regulatory intentional radiator requirements, provides reduced susceptibility to power supply and digital noise, and filters out RF and high frequency noise from the communication data and control link.
- **TX/RX Chain**
 - TX/RX chain handles transmitting and receiving of the communication data based on the radio register settings. It involves the coordination of several blocks including modulator, demodulator, AGC control, frequency synthesizer and frame control.
- **Crystal**
 - Crystal oscillator provides the necessary clock reference for the whole module operation. The A2541E24A and A2541E24C modules use two crystals: a 32 MHz crystal and a 32.768 kHz crystal.
- **Power Management**
 - Power management ensures a stable supply for the internal functions, as well as providing means for a low power sleep mode.
- **CPU and Memory**
 - The 8051 CPU core used in the CC2541 device is a single-cycle 8051-compatible core. It has three different memory-access buses (SFR, DAT and CODE/XDATA) with single-cycle access to SFR, DATA, and the main SRAM. It also includes a debug interface and an 18-input extended interrupt unit.
 - The memory arbiter connects the CPU and DMA controller with the physical memories and all peripherals through the SFR bus.
 - The 8-KB SRAM maps to the DATA memory space and to parts of the XDATA memory spaces. This is an ultralow-power SRAM that retains its contents even when the digital part is powered off.
 - 256 KB flash block provides in-circuit programmable non-volatile program memory for the device, and maps into the CODE and XDATA memory spaces. In addition to holding the program code, it also allows the application to save data that must be preserved such that it is available after restarting the device.
- **I/O Controller**
 - The I/O controller is responsible for all general-purpose I/O pins. The CPU can configure whether peripheral modules control certain pins or they are under software control, and if so, whether they are configured as input or output.

Table 1 Approved Antennas

Item	Part Number	Manufacturer	Type	Gain (dBi)
1	Integral part of A2541E24A	Anaren	Integral Antenna	2



Anaren Integrated Radio

2	66089-2406	Anaren	Monopole whip, 6 mm lead	3
3	66089-2430	Anaren	Monopole whip, 30 mm lead	3

1.5. Applications

- Bluetooth SMART Systems
- Industrial Control and Monitoring
- Home/Building Automation
- Lighting Systems
- Low-Power Wireless Sensor Networks
- Sports monitoring, health & wellness



2. Approvals and Usage

The A2541E24A and A2541E24C have been designed to meet most national regulations for worldwide ISM band use. In particular, the radio modules have been certified to the following standards.

2.1. Product Approvals

2.1.1. USA (Federal Communications Commission, FCC)

The A2541E24A and A2541E24C modules have been tested to comply with FCC CFR47 Part 15 sub-part C "Intentional Radiators" standard. The modules meet the requirements for modular transmitter approval as detailed in FCC public notice DA 00-1407 released in June 26, 2000. The modular transmitter approval eliminates the need to re-perform costly 'intentional radiator' testing when submitting an end product for certification.

(15.19a3) The module complies with part 15 of the FCC rules. Operation is subject to the following two conditions: (1) this device may not cause harmful interference, and (2) this device must accept any interference received, including interference that may cause undesired operation.

Any changes or modifications not expressly approved by the party responsible for compliance could void the user's authority to operate the equipment.

2.1.1.1. FCC Labeling Requirements

The A2541E24A and A2541E24C modules have been labeled with their own FCC ID number and if the FCC ID is not visible when the module is installed inside another device, then the outside of the finished product into which the module is installed must also display a label referring to the enclosed module. This exterior label can use wording such as the following:

Contains Transmitter Module FCC ID: X7J-A13022601

-or-

Contains FCC ID: X7J-A13022601

This device complies with Part 15 of the FCC Rules.

Operation is subject to the following two conditions:

(1) this device may not cause harmful interference, and (2) this device must accept any interference received, including interference that may cause undesired operation.



Anaren Integrated Radio

2.1.1.2. End User Manual

The end user manual should include the following statement:

This equipment has been tested and found to comply with the limits for a Class B digital device, pursuant to part 15 of the FCC Rules. These limits are designed to provide reasonable protection against harmful interference in a residential installation. This equipment generates, uses and can radiate radio frequency energy and, if not installed and used in accordance with the instructions, may cause harmful interference to radio communications. However, there is no guarantee that interference will not occur in a particular installation. If this equipment does cause harmful interference to radio or television reception, which can be determined by turning the equipment off and on, the user is encouraged to try to correct the interference by one or more of the following measures:

- Reorient or relocate the receiving antenna.
- Increase the separation between the equipment and receiver.
- Connect the equipment into an outlet on a circuit different from that to which the receiver is connected.
- Consult the dealer or an experienced radio/TV technician for help.

2.1.1.3. RF Exposure

All transmitters regulated by FCC must comply with RF exposure requirements. OET Bulletin 65 “Evaluating Compliance with FCC Guidelines for Human Exposure to Radio Frequency Electromagnetic Fields” provides assistance in determining whether proposed or existing transmitting facilities, operations or devices comply with limits for human exposure to Radio Frequency (RF) fields adopted by the Federal Communications Commission (FCC). The bulletin offers guidelines and suggestions for evaluating compliance.

If appropriate, compliance with exposure guidelines for mobile and unlicensed devices can be accomplished by the use of warning labels and by providing users with information concerning minimum separation distances from transmitting structures and proper installation of antennas.

The following statement must be included as a CAUTION statement in manuals and OEM products to alert users of FCC RF Exposure compliance:

To satisfy FCC requirements the antenna used with this transmitter must not be co-located or operating in conjunction with any other antenna or transmitter except as permitted by FCC multi-transmitter procedures.

2.1.2. Canada (Industry Canada, IC)

The A2541E24A and A2541E24C modules have been certified for use in Canada under Industry Canada (IC) Radio Standards Specification (RSS) RSS-210 and RSS-Gen.



From section 3.2 RSS-Gen, Issue 3, December 2010, Modular Approval for Category I Equipment or Category II Equipment:

“Modular approval permits the installation of the same module in a host device or multiple host devices without the need to recertify the device. Equipment certification for a modular device may be sought for either Category I equipment or Category II equipment.

Transmitters designed as modules for the installation in a host device may obtain equipment certification as a modular device provided that the applicable RSS is met and the following conditions in this section are met.”

In section 7.1.2 Transmitter Antenna, it has been mentioned that the user manuals for transmitters shall display the following notice in a conspicuous location:

Notice: *Under Industry Canada regulations, this radio transmitter may only operate using an antenna of a type and maximum (or lesser) gain approved for the transmitter by Industry Canada. To reduce potential radio interference to other users, the antenna type and its gain should be so chosen that the equivalent isotropically radiated power (e.i.r.p.) is not more than that necessary for successful communication.*

Avis: *Sous la réglementation d'Industrie Canada, ce transmetteur radio ne peut fonctionner qu'en utilisant seulement une antenne d'un type et d'un maximum (ou moins) de gain approuvé pour l'émetteur par Industrie Canada. Pour réduire des potentielles interférences radio pour les autres utilisateurs, le type d'antenne et son gain doivent être choisis de sorte que la puissance isotrope rayonnée équivalente (PIRE) ne dépasse pas ce qui est nécessaire pour une communication réussie.*



Anaren Integrated Radio

In section 7.1.2 Transmitter Antenna, it has been mentioned that the user manuals for transmitters equipped with detachable antennas shall also contain the following notice in a conspicuous location:

Notice: *This radio transmitter (IC: 8975A-A13022601) has been approved by Industry Canada to operate with the antenna types listed below with the maximum permissible gain and required antenna impedance for each antenna type indicated. Antenna types not included in this list, having a gain greater than the maximum gain indicated for that type, are strictly prohibited for use with this device.*

Avis: *Cet émetteur radio (IC: 8975A-A13022601) a été approuvé par Industrie Canada pour fonctionner avec les types d'antennes énumérés ci-dessous avec le gain maximal admissible et l'impédance d'antenne requise pour chaque type d'antenne indiqué. Les types d'antennes ne figurant pas dans cette liste, ayant un gain supérieur au gain maximal indiqué pour ce type, sont strictement interdits pour l'utilisation avec cet appareil.*

Item numéro d'article	Part Number Référence	Manufacturer Fabricant	Type catégorie	Gain (dBi) Gain
1	Integral part of A2541E24A Partie intégrante de A2541E24A	Anaren	Integral Antenna antenne intégrée	2
2	66089-2406	Anaren	Monopole whip, 6 mm lead Antenne monopôle, longueur 6 mm	3
3	66089-2430	Anaren	Monopole whip, 30 mm lead Antenne monopôle, longueur 30 mm	3

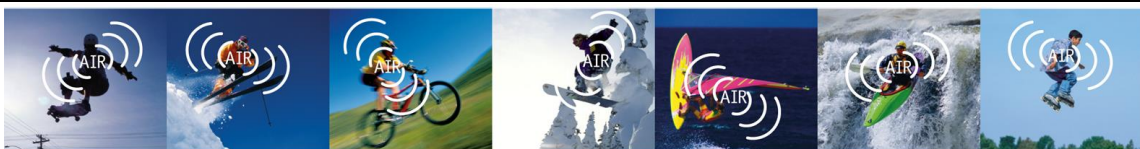
2.1.2.1. IC Labeling Requirements

From section 3.2.1 RSS-Gen, Issue 3, December 2010, Labeling Requirements for the Host Device:

The host device shall be properly labeled to identify the modules within the host device. The Industry Canada certification label of a module shall be clearly visible at all times when installed in the host device, otherwise the host device must be labeled to display the Industry Canada certification number of the module, preceded by the words “Contains transmitter module”, or the word “Contains”, or similar wording expressing the same meaning.

From section 5.2, RSS-Gen, Issue 3, December 2010, Equipment Certification Numbers and Labels:

Every unit of Category I radio apparatus certified for marketing and use in Canada shall bear a permanent label on which is indelibly displayed the model number and Industry Canada certification number of the equipment model (transmitter, receiver, or inseparable combination thereof). Each model shall be identified by a unique combination of a model number and a certification number, which are assigned as described below in this section.



Anaren Integrated Radio

The label shall be securely affixed to a permanently attached part of the device, in a location where it is visible or easily accessible to the user, and shall not be readily detachable. The label shall be sufficiently durable to remain fully legible and intact on the device in all normal conditions of use throughout the device’s expected lifetime. These requirements may be met either by a separate label or nameplate permanently attached to the device or by permanently imprinting or impressing the label directly onto the device.

The label text shall be legible without the aid of magnification, but is not required to be larger than 8-point font size. If the device is too small to meet this condition, the label information may be included in the user manual upon agreement with Industry Canada.

Section 5.2 continues:

The model number is assigned by the applicant and shall be unique to each model of radio apparatus under that applicant’s responsibility. The model number shall be displayed on the label preceded by the text: “Model:”, so it appears as follows:

Model: model number assigned by applicant

Label:

Contains/Contient IC: 8975A- A13022601

Notice: This device complies with Industry Canada licence-exempt RSS standard(s). Operation is subject to the following two conditions: (1) this device may not cause interference, and (2) this device must accept any interference, including interference that may cause undesired operation of the device.

Avis: Cet appareil est conforme avec Industrie Canada RSS standard exempts de licence (s). Son fonctionnement est soumis aux deux conditions suivantes: (1) cet appareil ne peut pas provoquer d’interférences et (2) cet appareil doit accepter toute interférence, y compris les interférences qui peuvent causer un mauvais fonctionnement du dispositif.

From section 7.1.4, RSS-Gen, Issue 3, December 2010, Radio Apparatus Containing Digital Circuits (ICES-003):

“Radio apparatus containing digital circuitry which can function separately from the operation of a transmitter or an associated transmitter, shall comply with ICES-003. In such cases, the labeling requirements of the applicable RSS apply, rather than the labelling requirements in ICES-003.”

For more information see: Industry Canada <http://www.ic.gc.ca/>

2.1.2.2. RF Exposure

All transmitters regulated by IC must comply with RF exposure limits as set forth in RSS-102, Issue 4, section 4, “Exposure Limits”. Furthermore RSS-102, Issue 4, Section 2 “Certification Requirements”, provides assistance in determining the specific requirements for compliance. If



Anaren Integrated Radio

appropriate, compliance with exposure guidelines for mobile and unlicensed devices can be accomplished by the use of warning labels and by providing users with information concerning minimum separation distances from transmitting structures and proper installation of antennas.

The following statement must be included as a CAUTION statement in manuals and OEM products to alert users of IC RF Exposure compliance:

Notice: To satisfy Industry Canada requirements the antenna used with this transmitter must not be co-located or operating in conjunction with any other antenna or transmitter except as permitted by Industry Canada's multi-transmitter procedures.

Avis: Pour satisfaire aux exigences d'Industrie Canada l'antenne utilisée avec cet émetteur ne doit pas être colocalisée ni de fonctionner en conjonction avec une autre antenne ou un autre émetteur, sauf dans la mesure permise par les procédures multi-émetteurs de l'Industrie Canada.

2.1.3. Europe (Conformité Européenne, CE)

The A2541E24A and A2541E24C modules have been certified for use in European countries. The following tests have been performed and the module found to be compliant to the requirements:

- Test standard ETSI EN 300 328 V1.9.1 (2015-02)
 - ✓ Maximum Isotropic Radiated Power (Normal and Extreme Conditions)
 - ✓ Maximum e.i.r.p. Spectral Density
 - ✓ Frequency Range (Normal and Extreme Conditions)
 - ✓ Transmitter Spurious Emissions
 - ✓ Receiver Spurious Emissions
- Electro-Static Discharge and RF Immunity (ETSI EN 301 489-17)
- RF Exposure (ETSI EN 62311:2008)
- Safety (IEC 60950-1:2005 and EN 60950-1:2006)

A helpful document that can be used as a starting point in understanding the use of short range devices (SRD) in Europe is the European Radio Communications Committee (ERC) Recommendation 70-03 E, downloadable from the European Radio Communications Office (ERO) <http://www.ero.dk>.

The end user is responsible for ensuring compliance with harmonized frequencies and labeling requirements for each country the end device is marketed and sold.

For more information see:

- Radio And Telecommunications Terminal Equipment (R&TTE)
http://ec.europa.eu/enterprise/rtte/index_en.htm



- European Conference of Postal and Telecommunications Administrations (CEPT) <http://www.cept.org/>
- European Telecommunications Standards Institute (ETSI) <http://www.etsi.org/>
- European Radio Communications Office (ERO) <http://www.ero.dk/>

2.1.4. Taiwan (NCC,)

2.1.4.1. NCC warning statement:

低功率電波輻射性電機管理辦法

第十二條經型式認證合格之低功率射頻電機，非經許可，公司、商號或使用者均不得擅自變更頻率、加大功率或變更原設計之特性及功能。

第十四條低功率射頻電機之使用不得影響飛航安全及干擾合法通信；經發現有干擾現象時，應立即停用，並改善至無干擾時方得繼續使用。前項合法通信，指依電信規定作業之無線電信。低功率射頻電機須忍受合法通信或工業、科學及醫療用電波輻射性電機設備之干擾。

2.1.4.2. NCC ID warning statement:

模組認證合格標籤 (ID):

“ CCXXxxLPyyyZz ”

如果使用本模組之平台,無法在外部看見審驗合格標籤時,應在該平台的外部明顯標示

“內含射頻模組 CCXXxxLPyyyZz” .



Anaren Integrated Radio

2.2. Potential Interference Sources

The radio modules operate in the unlicensed ISM band, in which there are many other applications e.g. WLAN, Bluetooth® and microwave ovens. This can cause interference that may, in certain conditions, prohibit radio communication.

Some of the most common interferences are listed below.

2.2.1. WLAN

Wireless Local Area Networks (WLANs) are divided into a number of overlapping channels. Figure 3 below shows the channels used by WLAN; for the US and Canada, only channels 1-13 may be used. Predominantly, channels 1, 6 and 11 are used to achieve non-overlapping channels. The user is therefore encouraged to select a channel scheme that also has channels falling in between, or entirely outside, WLAN channels. Using a detection scheme (clear channel assessment) will enable the user to find channels with minimal interference from WLAN devices.

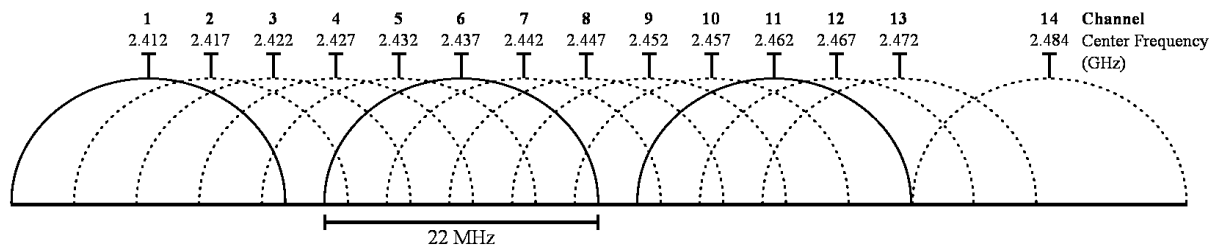


Figure 3 WLAN channels

2.2.2. Bluetooth®

Classic Bluetooth divides the 2.402-2.480 GHz band into 79 channels, each of which is 1MHz wide. However, since Bluetooth changes channels rapidly (up to 1600 times a second), it is unlikely to cause continuous interference in a specific channel and can be overcome by implementing a simple acknowledge/retransmit functionality.

2.2.3. Microwave ovens

A typical microwave oven uses a self-oscillating magnetron with a duty cycle below 50%, because the tube is completely off for half of every AC mains cycle (8.33 ms in 60 Hz countries and 10 ms in 50 Hz countries). The frequency of the microwave oven changes cyclically within each AC mains synchronized on period, and is generally not predictable.

The user is encouraged to have packet transmission durations less than half the AC mains period and implement an acknowledge/retransmit method.



2.2.4. Other Interference

Systems similar to the user's system may also exist within range and may also be a source of interference; some typical applications to consider are:

- Alarm systems
 - These typically use low duty cycles and are therefore easy to avoid using acknowledge/retransmit methods
- Car alarms (internal motion sensors)
- Video surveillance
 - These are typically operated on a fixed channel, determined at installation time and can be avoided by using clear channel assessment. It may be useful to change the channel used by the video surveillance equipment also, if possible.

2.2.5. Time critical data

If the user requires specific time critical data throughput that cannot tolerate the delays of potentially many re-transmissions, the user is encouraged to implement an environment-aware algorithm that periodically monitors/scans the frequency band and maintain a list of "best available" channels.



Anaren Integrated Radio

2.3. Approved Usage

The A2541E24A and A2541E24C modules have been approved for use in the US, Canada and Europe. The user is encouraged to use minimum power required to establish a link, thus minimizing interference.

Changes or modifications to the module and/or operation outside the limits are prohibited and could void the user’s authority to operate the modules.

2.3.1. USA and Canada

Within the USA and Canada, the A2541E24A and A2541E24C modules have been approved for use as digitally modulated transmitters, for which they conform to the BW (a minimum of 500 kHz 6-dB BW for US, a maximum BW of 0.5% of the carrier frequency for Canada), power spectral density (max of 8 dBm / 3 kHz), total output power (max of 1W including the antenna gain) and spurious radiation (harmonics and others including the restricted bands) requirements.

Table 2 shows approved modulation types and frequencies of operations with the corresponding maximum output power values and PA_Table register settings. These modules must be operated at or below the indicated power levels. Using the modules with higher power levels are prohibited, and will void the user’s authority to operate the modules under current FCC/IC certification.

Approved Modulation Types and Power Levels for FCC/IC

Approved Modulation Types	Frequency band of operation (MHz)	A2541E24A		A2541E24C	
		Max Allowed Power (dBm)	PA_Table Value (Hex)	Max Allowed Power (dBm)	PA_Table Value (Hex)
GFSK 2Mbps,500kHz Deviation	2402 - 2480	8	0xCF	7.5	0xC6
GFSK 2Mbps, 320kHz Deviation	2402 - 2480	8	0xCF	7.5	0xC6
GFSK 1Mbps, 250kHz Deviation	2402 - 2480	8	0xCF	7.5	0xC6
GFSK 1Mbps, 160kHz Deviation	2402 - 2480	8	0xCF	7.5	0xC6
GFSK 250kpbs, 160kHz Deviation	2402 - 2480	8	0xCF	7.5	0xC6

Table 3 shows available power levels from the device along with the corresponding PA_Table register settings. Users are encouraged to use minimum power required to establish a link, thus minimizing interference and current consumption.

Table 2 Approved Modulation Types and Power Levels for FCC/IC

Approved Modulation Types	Frequency band of operation (MHz)	A2541E24A		A2541E24C	
		Max Allowed Power (dBm)	PA_Table Value (Hex)	Max Allowed Power (dBm)	PA_Table Value (Hex)
GFSK 2Mbps,500kHz Deviation	2402 - 2480	8	0xCF	7.5	0xC6
GFSK 2Mbps, 320kHz Deviation	2402 - 2480	8	0xCF	7.5	0xC6
GFSK 1Mbps, 250kHz Deviation	2402 - 2480	8	0xCF	7.5	0xC6
GFSK 1Mbps, 160kHz Deviation	2402 - 2480	8	0xCF	7.5	0xC6
GFSK 250kpbs, 160kHz Deviation	2402 - 2480	8	0xCF	7.5	0xC6



Table 3 Output Power vs. PA Table Value (tolerance +/- 1.5 dB)

Power (dBm)	PA_Table Value (Hex)
9.5	0xEF
9.0	0xE1
8.7	0xD5
8.5	0xD1
8.0	0xCF
7.5	0xC6
7.0	0xC1
5.5	0xB1
4.5	0xA1
2.5	0x91
0.5	0x81
-1.5	0x71
-3.5	0x61
-5.5	0x51
-7.5	0x41
-9.5	0x31
-11.5	0x21
-13.5	0x11
-15.5	0x01

2.3.2. Europe

For Europe, the maximum power is 100mW with a maximum spectral power density of 10mW/MHz. In order to meet the power spectral density requirements, the A2541E24A and A2541E24C modules should have lower output power levels.

Table 4 shows approved modulation types and frequencies of operations with the corresponding maximum output power values and PA Table register settings. Please refer to Table 3 for the available power levels from this module.

Table 4 Approved Modulation Types and Power Levels for Europe (ETSI)

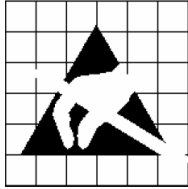
Approved Modulation Types	Frequency band of operation (MHz)	A2541E24A / A2541E24C	
		Max Allowed Power (dBm)	TXPOWER Value (Hex)
GFSK 2Mbps,500kHz Deviation	2402 - 2480	6	0xB1
GFSK 2Mbps, 320kHz Deviation	2402 - 2480	6	0xB1
GFSK 1Mbps, 250kHz Deviation	2402 - 2480	6	0xB1
GFSK 1Mbps, 160kHz Deviation	2402 - 2480	6	0xB1
GFSK 250kbps, 160kHz Deviation	2402 - 2480	6	0xB1
MSK 500kbps	2402 - 2480	6	0xB1
MSK 250kbps	2402 - 2480	6	0xB1



3. Electrical Characteristics

3.1. Absolute Maximum Ratings

Under no circumstances shall the absolute maximum ratings given in Table 5 be violated. Stress exceeding one or more of the limiting values may cause permanent damage to the device.



Caution!
 ESD sensitive device. Precaution should be used when handling the device in order to prevent permanent damage.



MSL 3

Caution!
 This assembly contains moisture sensitive devices and requires proper handling per IPC/JEDEC J-STD-033

Table 5 Absolute Maximum Ratings

Parameter	Min	Max	Unit	Condition/Note
Supply Voltage (Vdd)	-0.3	3.9	V	
Voltage on any digital pin	-0.3	Vdd+0.3, max 3.9	V	
RF input power		10	dBm	
Storage Temperature	-40	125	°C	
Solder reflow temperature		260	°C	According to IPC/JEDEC J-STD-020D
ESD		2	kV	According to JEDEC STD 22, method A114, Human body model
ESD		500	V	According to JEDEC STD 22, C101, Charged Device Model (CDM)



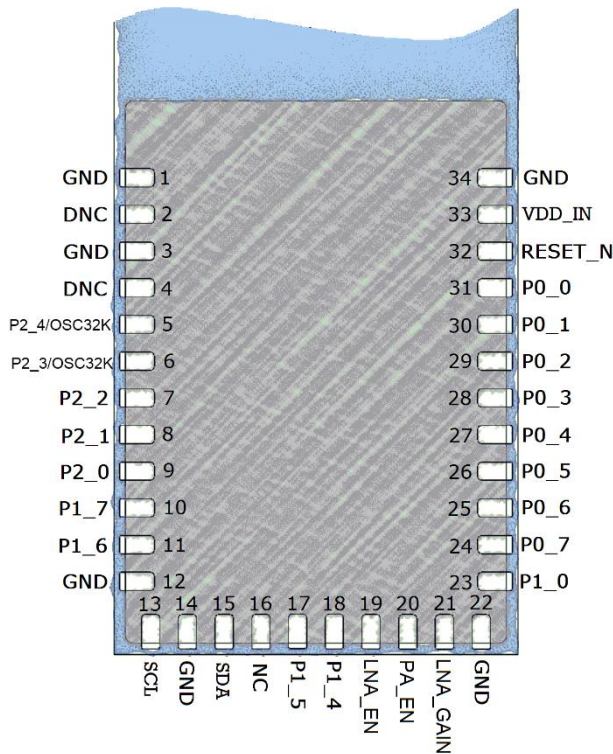
3.2. Operating Conditions

Table 6 Operating conditions

Parameter	Min	Max	Unit	Condition/Note
Supply Voltage (Vdd)	2.0	3.6	V	
Temperature Range	-40	+85	°C	

3.3. Pin Out

The A2541E24A and A2541E24C radios share a common pin-out and foot print, thus enabling the use of the same application PCB layout for US/Europe and low power (short range) versus higher power (long range). Below the footprint is shown.



Where applicable:

NC = “NO Connection”. Pin is NOT connected internally.

DNC = “Do Not Connect”. Pin reserved for internal use, ensure mating footprint pads are **isolated**.

GND = “Ground”. Connect the maximum number possible (minimum **one** for proper operation).

Figure 4 Module pin-out view



Table 7 pin-out table, with references to chip pins

Pin Number	Pin Name	Pin Type	Description	CC2590 Pin	CC2530 Pin
1	GND	Common Ground	Connect to GND		
2	DNC		Do Not Connect. Connecting this pin to anything will significantly affect the performance of the module and may void the end users right, under FCC, to operate the module		
3	GND	Common Ground	Connect to GND		
4	DNC		Do Not Connect.		
5	P2_4/OSC32K_Q1	Digital I/O	General-purpose digital I/O pin Port 2.4. This pin is also connected to the 32.768kHz crystal.		32
6	P2_3/OSC32K_Q2	Digital I/O	General-purpose digital I/O pin Port 2.3. This pin is also connected to the 32.768kHz crystal.		33
7	P2_2	Digital I/O	General-purpose digital I/O pin Port 2.2		34
8	P2_1	Digital I/O	General-purpose digital I/O pin Port 2.1		35
9	P2_0	Digital I/O	General-purpose digital I/O pin Port 2.0		36
10	P1_7	Digital I/O	General-purpose digital I/O pin Port 1.7		37
11	P1_6	Digital I/O	General-purpose digital I/O pin Port 1.6		38
12	GND	Common Ground	Connect to GND		
13	SCL	I ² C Clock or Digital I/O	I ² C Clock pin or digital I/O. Leave floating if not used. If grounded disable pull up		2
14	GND	Common Ground	Connect to GND		
15	SDA	I ² C Data or Digital I/O	I ² C Data pin or digital I/O. Leave floating if not used. If grounded disable pull up		3
16	NC	No Connect	The pin is not connected internally		4
17	P1_5	Digital I/O	General-purpose digital I/O pin Port 1.5		5
18	P1_4	Digital I/O	General-purpose digital I/O pin Port 1.4		6
19	LNA_EN	Control Pin	LNA Enable Control for CC2590 Range Extender	6	7
20	PA_EN	Control Pin	PA Enable Control for CC2590 Range Extender	5	8
21	LNA_GAIN	Control Pin	High Gain Control for CC2590 Range Extender	7	9
22	GND	Common Ground	Connect to GND		
23	P1_0	Digital I/O	General-purpose digital I/O pin Port 1.0		11
24	P0_7	Digital I/O	General-purpose digital I/O pin Port 0.7		12
25	P0_6	Digital I/O	General-purpose digital I/O pin Port 0.6		13
26	P0_5	Digital I/O	General-purpose digital I/O pin Port 0.5		14
27	P0_4	Digital I/O	General-purpose digital I/O pin Port 0.4		15
28	P0_3	Digital I/O	General-purpose digital I/O pin Port 0.3		16
29	P0_2	Digital I/O	General-purpose digital I/O pin Port 0.2		17
30	P0_1	Digital I/O	General-purpose digital I/O pin Port 0.1		18
31	P0_0	Digital I/O	General-purpose digital I/O pin Port 0.0		19
32	RESET_N	Digital input	Reset, active-low		20
33	VDD	Power (Analog)	Analog power supply connection for the Radio and PA/LNA (2.0V to 3.6V)	16	10,21,24,27,28,29,31,39
34	GND	Common Ground	Connect to GND		



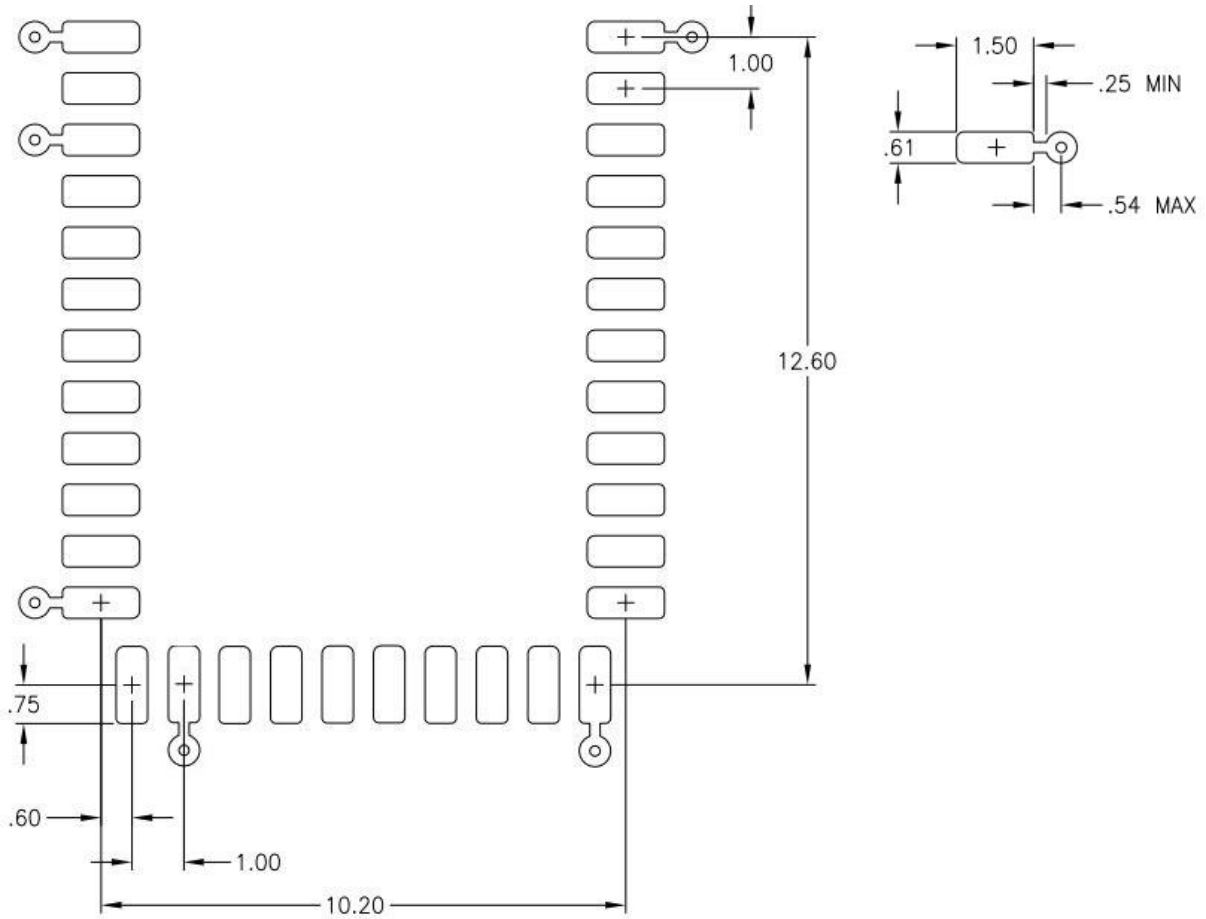


Figure 6 Recommended Layout for GND vias

