



Chipsmall Limited consists of a professional team with an average of over 10 year of expertise in the distribution of electronic components. Based in Hongkong, we have already established firm and mutual-benefit business relationships with customers from,Europe,America and south Asia,supplying obsolete and hard-to-find components to meet their specific needs.

With the principle of "Quality Parts,Customers Priority,Honest Operation,and Considerate Service",our business mainly focus on the distribution of electronic components. Line cards we deal with include Microchip,ALPS,ROHM,Xilinx,Pulse,ON,Everlight and Freescale. Main products comprise IC,Modules,Potentiometer,IC Socket,Relay,Connector.Our parts cover such applications as commercial,industrial, and automotives areas.

We are looking forward to setting up business relationship with you and hope to provide you with the best service and solution. Let us make a better world for our industry!



Contact us

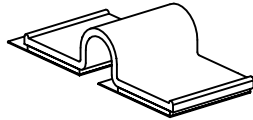
Tel: +86-755-8981 8866 Fax: +86-755-8427 6832

Email & Skype: info@chipsmall.com Web: www.chipsmall.com

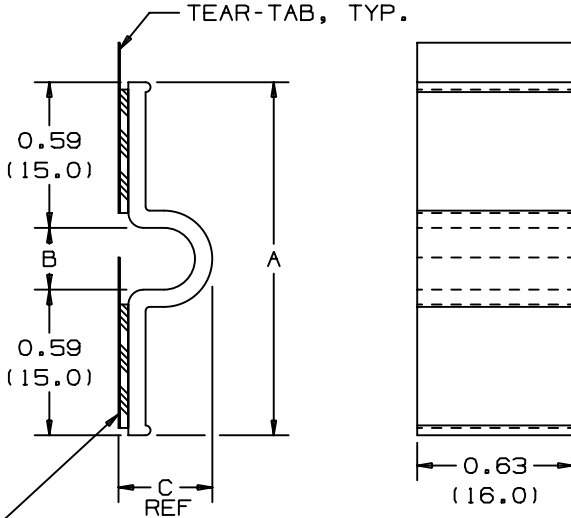
Address: A1208, Overseas Decoration Building, #122 Zhenhua RD., Futian, Shenzhen, China



THIS COPY IS PROVIDED ON A RESTRICTED BASIS AND IS NOT TO BE USED IN ANY WAY DETRIMENTAL TO THE INTERESTS OF PANDUIT CORP.



A2C25-A
ACTUAL SIZE



ADHESIVE TAPE--PRESSURE SENSITIVE FOAM .040 (1.02) THICK WITH RUBBER ADHESIVE AND PROTECTIVE LINER, TWO PLACES.
**MOUNT IS DESIGNED TO SUPPORT LISTED MAXIMUM STATIC LOAD ON A CLEAN, DRY, SMOOTH, GREASE-FREE SURFACE.

PANDUIT PART NUMBER*	NOMINAL CABLE O.D. in./ (mm)	A in. (mm)	B in. (mm)	C in. (mm)	STATIC LOAD** lbs./ (g)	WEIGHT 100 pcs. lbs./ (g)
A2C12-A	0.120 (3.0)	1.30 (33.0)	0.12 (3.0)	0.23 (5.8)	0.37 (168.6g)	0.28 (127)
A2C25-A	0.250 (6.4)	1.43 (36.3)	0.25 (6.4)	0.36 (9.1)	0.37 (168.6g)	0.29 (132)
A2C38-A	0.375 (9.5)	1.56 (39.6)	0.38 (9.7)	0.49 (12.4)	0.37 (168.6g)	0.34 (154)
A2C50-A	0.500 (12.7)	1.72 (43.7)	0.50 (12.7)	0.61 (15.5)	0.37 (168.6g)	0.39 (177)

NO WARRANTY, EXPRESSED OR IMPLIED, IS MADE BY PANDUIT WITH RESPECT TO ADHESIVE BOND PERFORMANCE. AMONG OTHER THINGS, THE CONDITIONS UNDER WHICH THESE MOUNTS MAY BE APPLIED AND/OR THE SURFACE TO WHICH THEY MAY BE APPLIED ARE BEYOND PANDUIT'S CONTROL.

TO APPLY MOUNT

- 1) REMOVE PROTECTIVE LINER.
- 2) PLACE IN DESIRED LOCATION.
- 3) APPLY PRESSURE TO MOUNT.

NOTES:

- *1. SEE CURRENT PRICE SHEET FOR PART NUMBER SUFFIX DESIGNATION FOR PACKAGE SIZE.

(DIMENSIONS IN PARENTHESES ARE IN METRIC.)

CAD FILENAME/LAYERS

G00432BB_PB_A2CCLIPS_02

PANDUIT

CORP. TINLEY PARK, ILLINOIS

A2C-A
ADHESIVE CLIP

UNLESS OTHERWISE SPECIFIED,
DIMENSIONAL TOLERANCES ARE:
(.X) ±0.1(2.5) (.XXX) ±0.020(.5)
(.XX) ±0.05(1.3) ANGLES ±5°

UNLESS OTHERWISE SPECIFIED,
ALL DIMENSIONS ARE GIVEN
IN INCHES, THIRD ANGLE PROJECTION.

DRAWN BY

RJKO

MAT'L:

GRAY
PVC

SCALE

NONE

DATE

12-2-96

DRAWING NO.

G00432BB

DWG

A
SIZE

CHK'D

REV	DATE	BY	CHK	DESCRIPTION	ECN	R	CUST	SUP
2	5/10/02	LGG		CHG STATIC LOAD. WAS .29(132)	GB0432BB	2		
1	6/15/01	LGG		ADDED "REF" TO DIM	GB0432BB	1		
R	12-2-96	RJKO		INITIAL RELEASE. REPLACED CUSTOMER DRAWING NO. 34025-10.	GB0432BB	R		