



Chipsmall Limited consists of a professional team with an average of over 10 year of expertise in the distribution of electronic components. Based in Hongkong, we have already established firm and mutual-benefit business relationships with customers from,Europe,America and south Asia,supplying obsolete and hard-to-find components to meet their specific needs.

With the principle of “Quality Parts,Customers Priority,Honest Operation,and Considerate Service”,our business mainly focus on the distribution of electronic components. Line cards we deal with include Microchip,ALPS,ROHM,Xilinx,Pulse,ON,Everlight and Freescale. Main products comprise IC,Modules,Potentiometer,IC Socket,Relay,Connector.Our parts cover such applications as commercial,industrial, and automotives areas.

We are looking forward to setting up business relationship with you and hope to provide you with the best service and solution. Let us make a better world for our industry!



## Contact us

Tel: +86-755-8981 8866 Fax: +86-755-8427 6832

Email & Skype: info@chipsmall.com Web: www.chipsmall.com

Address: A1208, Overseas Decoration Building, #122 Zhenhua RD., Futian, Shenzhen, China



**CONTINUOUS HINGE WITH CLAMPS, TYPE 12**

**INDUSTRY STANDARDS**

 UL 508A Listed; Type 12, 13; File No. E61997  
 cUL Listed per CSA C22.2 No. 94; Type 12, 13; File No. E61997

 NEMA/EEMAC Type 12 and 13  
 CSA, File No. 42186: Type 12  
 IEC 60529, IP65

**APPLICATION**

For applications requiring a bright white interior to increase control visibility, this enclosure includes a padlocking hasp and staple for security and screw-down clamps for secure closure.

**SPECIFICATIONS**

- 16 or 14 gauge steel
- Seams continuously welded and ground smooth
- External welded-on mounting brackets for easy installation
- Formed external return flanges around all sides of enclosure opening
- Screw-down door clamps
- Removable heavy-gauge continuous hinge pin
- Hasp and staple for padlocking
- Data pocket is high-impact thermoplastic
- Collar studs for mounting optional panels
- Bonding provision on door
- Removable door with continuous hinge
- Seamless foam-in-place gasket

**FINISH**

 Body: White inside with ANSI 61 gray finish outside.  
 Door: ANSI 61 gray inside and outside.

**ACCESSORIES**

 Panels for 3R, 4, 4X, 12, and 13 Enclosures  
 Drip Shield Kit for Type 12 Enclosures  
 Electric Heater  
 Fast-Operating Clamp Assembly  
 Compact Cooling Fans  
 Steel and Stainless Steel Window Kits  
 HF Side-Mount Filter Fans

**MODIFICATION AND CUSTOMIZATION**

Hoffman excels at modifying and customizing products to your specifications. Contact your local Hoffman sales office or distributor for complete information.

**BULLETIN: A12**

## Standard Product

Catalog Number	AxBxC in./mm	Body Gauge	Panel	Conductive Panel	Panel Size D x E in./mm	F in./mm	Number of Clamps	Data Pocket
A122406LP	12.00 x 24.00 x 6.00 305 x 610 x 152	16	A12P24	A12P24G	9.00 x 21.00 229 x 533	3.00 76	2	Small
A161206LP	16.00 x 12.00 x 6.00 406 x 305 x 152	16	A16P12	A16P12G	13.00 x 9.00 330 x 229	1.25 32	2	Small
A161606LP	16.00 x 16.00 x 6.00 406 x 406 x 152	16	A16P16	A16P16G	13.00 x 13.00 330 x 330	3.00 76	2	Small
A162006LP	16.00 x 20.00 x 6.00 406 x 508 x 152	16	A20P16	A20P16G	17.00 x 13.00 432 x 330	3.00 76	2	Small
A201206LP	20.00 x 12.00 x 6.00 508 x 305 x 152	16	A20P12	A20P12G	17.00 x 9.00 432 x 229	1.25 32	2	Small
A201606LP	20.00 x 16.00 x 6.00 508 x 406 x 152	16	A20P16	A20P16G	17.00 x 13.00 432 x 330	3.00 76	2	Small
A202006LP	20.00 x 20.00 x 6.00 508 x 508 x 152	16	A20P20	A20P20G	17.00 x 17.00 432 x 432	3.00 76	2	Small
A202406LP	20.00 x 24.00 x 6.00 508 x 610 x 152	16	A24P20	A24P20G	21.00 x 17.00 533 x 432	3.00 76	2	Small
A241206LP	24.00 x 12.00 x 6.00 610 x 305 x 152	16	A12P24	A12P24G	9.00 x 21.00 229 x 533	1.25 32	2	Small
A241606LP	24.00 x 16.00 x 6.00 610 x 406 x 152	16	A24P16	A24P16G	21.00 x 13.00 533 x 330	3.00 76	2	Small
A242006LP	24.00 x 20.00 x 6.00 610 x 508 x 152	16	A24P20	A24P20G	21.00 x 17.00 533 x 432	3.00 76	2	Small
A242406LP	24.00 x 24.00 x 6.00 610 x 610 x 152	16	A24P24	A24P24G	21.00 x 21.00 533 x 533	3.00 76	2	Small
A301606LP	30.00 x 16.00 x 6.00 762 x 406 x 152	14	A30P16	A30P16G	27.00 x 13.00 686 x 330	3.00 76	2	Small
A302006LP	30.00 x 20.00 x 6.00 762 x 508 x 152	14	A30P20	A30P20G	27.00 x 17.00 686 x 432	3.00 76	2	Small
A302406LP	30.00 x 24.00 x 6.00 762 x 610 x 152	14	A30P24	A30P24G	27.00 x 21.00 686 x 533	3.00 76	2	Large
A362406LP	36.00 x 24.00 x 6.00 914 x 610 x 152	14	A36P24	A36P24G	33.00 x 21.00 838 x 533	3.00 76	2	Large
A363006LP	36.00 x 30.00 x 6.00 914 x 762 x 152	14	A36P30	A36P30G	33.00 x 27.00 838 x 686	3.00 76	2	Large

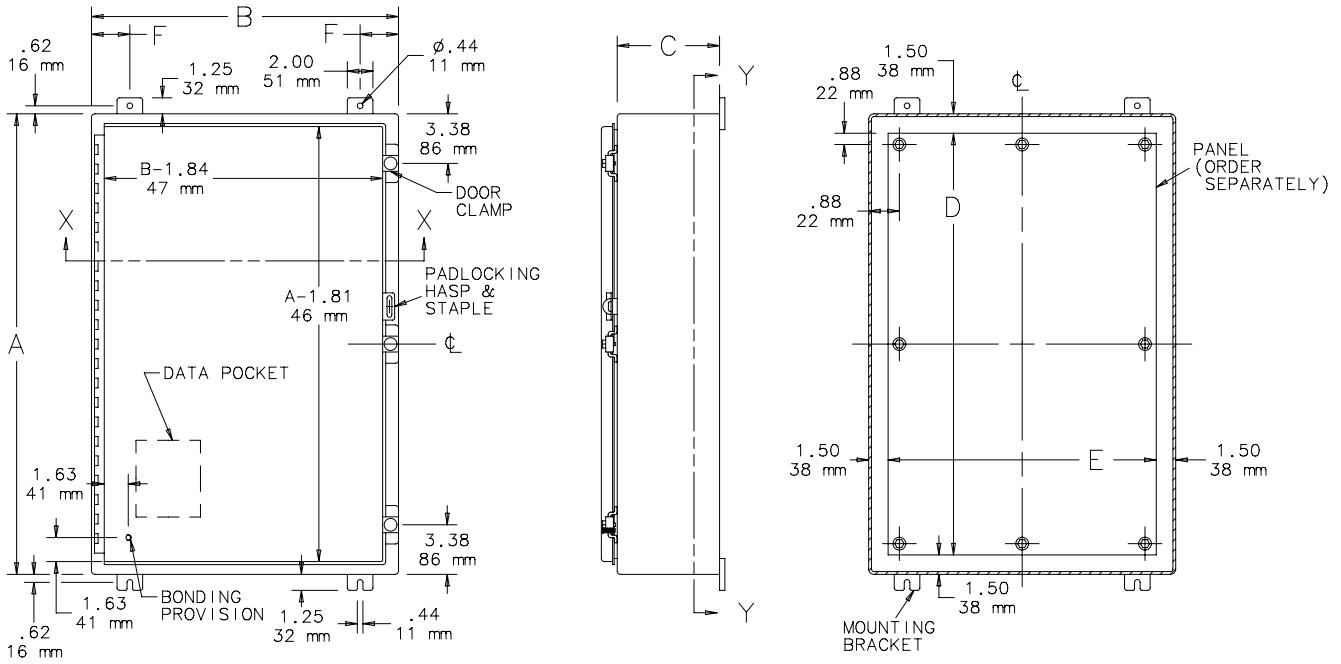
Catalog Number	AxBxC in./mm	Body Gauge	Panel	Conductive Panel	Panel Size D x E in./mm	F in./mm	Number of Clamps	Data Pocket
A122408LP	12.00 x 24.00 x 8.00 305 x 610 x 203	16	A12P24	A12P24G	9.00 x 21.00 229 x 533	3.00 76	2	Small
A161208LP	16.00 x 12.00 x 8.00 406 x 305 x 203	16	A16P12	A16P12G	13.00 x 9.00 330 x 229	1.25 32	2	Small
A161608LP	16.00 x 16.00 x 8.00 406 x 406 x 203	16	A16P16	A16P16G	13.00 x 13.00 330 x 330	3.00 76	2	Small
A162008LP	16.00 x 20.00 x 8.00 406 x 508 x 203	16	A20P16	A20P16G	17.00 x 13.00 432 x 330	3.00 76	2	Small
A201208LP	20.00 x 12.00 x 8.00 508 x 305 x 203	16	A20P12	A20P12G	17.00 x 9.00 432 x 229	1.25 32	2	Small
A201608LP	20.00 x 16.00 x 8.00 508 x 406 x 203	16	A20P16	A20P16G	17.00 x 13.00 432 x 330	3.00 76	2	Small
A202008LP	20.00 x 20.00 x 8.00 508 x 508 x 203	16	A20P20	A20P20G	17.00 x 17.00 432 x 432	3.00 76	2	Small
A202408LP	20.00 x 24.00 x 8.00 508 x 610 x 203	16	A24P20	A24P20G	21.00 x 17.00 533 x 432	3.00 76	2	Small
A241208LP	24.00 x 12.00 x 8.00 610 x 305 x 203	16	A12P24	A12P24G	9.00 x 21.00 229 x 533	1.25 32	2	Small
A241608LP	24.00 x 16.00 x 8.00 610 x 406 x 203	16	A24P16	A24P16G	21.00 x 13.00 533 x 330	3.00 76	2	Small
A242008LP	24.00 x 20.00 x 8.00 610 x 508 x 203	14	A24P20	A24P20G	21.00 x 17.00 533 x 432	3.00 76	2	Small
A242408LP	24.00 x 24.00 x 8.00 610 x 610 x 203	16	A24P24	A24P24G	21.00 x 21.00 533 x 533	3.00 76	2	Small
A243008LP	24.00 x 30.00 x 8.00 610 x 762 x 203	14	A30P24G	A30P24G	27.00 x 21.00 686 x 533	3.00 76	2	Small
A302008LP	30.00 x 20.00 x 8.00 762 x 508 x 203	14	A30P20	A30P20G	27.00 x 17.00 686 x 432	3.00 76	2	Small
A302408LP	30.00 x 24.00 x 8.00 762 x 610 x 203	14	A30P24	A30P24G	27.00 x 21.00 686 x 533	3.00 76	2	Large
A303008LP	30.00 x 30.00 x 8.00 762 x 762 x 203	14	A30P30	A30P30G	27.00 x 27.00 686 x 686	3.00 76	2	Large
A303608LP	30.00 x 36.00 x 8.00 762 x 914 x 203	14	A36P30	A36P30G	33.00 x 27.00 838 x 686	3.00 76	2	Large
A362408LP	36.00 x 24.00 x 8.00 914 x 610 x 203	14	A36P24	A36P24G	33.00 x 21.00 838 x 533	3.00 76	2	Large
A363008LP	36.00 x 30.00 x 8.00 914 x 762 x 203	14	A36P30	A36P30G	33.00 x 27.00 838 x 686	3.00 76	2	Large
A363608LP	36.00 x 36.00 x 8.00 914 x 914 x 203	14	A36P36	A36P36G	33.00 x 33.00 838 x 838	3.00 76	2	Large
A422408LP	42.00 x 24.00 x 8.00 1067 x 610 x 203	14	A42P24	A42P24G	39.00 x 21.00 991 x 533	3.00 76	2	Large
A423008LP	42.00 x 30.00 x 8.00 1067 x 762 x 203	14	A42P30	A42P30G	39.00 x 27.00 991 x 686	3.00 76	2	Small
A423608LP	42.00 x 36.00 x 8.00 1067 x 914 x 203	14	A42P36	A42P36G	39.00 x 33.00 991 x 838	3.00 76	2	Large
A482408LP	48.00 x 24.00 x 8.00 1219 x 610 x 203	14	A48P24	A48P24G	45.00 x 21.00 1143 x 533	3.00 76	3	Large
A483008LP	48.00 x 30.00 x 8.00 1219 x 762 x 203	14	A48P30	A48P30G	45.00 x 27.00 1143 x 686	3.00 76	3	Small
A483608LP	48.00 x 36.00 x 8.00 1219 x 914 x 203	14	A48P36	A48P36G	45.00 x 33.00 1143 x 838	3.00 76	3	Large
A603608LP	60.00 x 36.00 x 8.00 1524 x 914 x 203	14	A60P36	A60P36G	57.00 x 33.00 1448 x 838	3.00 76	3	Large
A161210LP	16.00 x 12.00 x 10.00 406 x 305 x 254	14	A16P12	A16P12G	13.00 x 9.00 330 x 229	1.25 32	2	Small
A201610LP	20.00 x 16.00 x 10.00 508 x 406 x 254	14	A20P16	A20P16G	17.00 x 13.00 432 x 330	3.00 76	2	Small
A202010LP	20.00 x 20.00 x 10.00 508 x 508 x 254	14	A20P20	A20P20G	17.00 x 17.00 432 x 432	3.00 76	2	Small
A241210LP	24.00 x 12.00 x 10.00 610 x 305 x 254	14	A12P24	A12P24G	9.00 x 21.00 229 x 533	1.25 32	2	Small
A242010LP	24.00 x 20.00 x 10.00 610 x 508 x 254	14	A24P20	A24P20G	21.00 x 17.00 533 x 432	3.00 76	2	Small
A242410LP	24.00 x 24.00 x 10.00 610 x 610 x 254	14	A24P24G	A24P24G	21.00 x 21.00 533 x 533	3.00 76	2	Small
A302010LP	30.00 x 20.00 x 10.00 762 x 508 x 254	14	A30P20	A30P20G	27.00 x 17.00 686 x 432	3.00 76	2	Small
A302410LP	30.00 x 24.00 x 10.00 762 x 610 x 254	14	A30P24	A30P24G	27.00 x 21.00 686 x 533	3.00 76	2	Large
A362410LP	36.00 x 24.00 x 10.00 914 x 610 x 254	14	A36P24	A36P24G	33.00 x 21.00 838 x 533	3.00 76	2	Large
A363010LP	36.00 x 30.00 x 10.00 914 x 762 x 254	14	A36P30	A36P30G	33.00 x 27.00 838 x 686	3.00 76	2	Large
A423010LP	42.00 x 30.00 x 10.00 1067 x 762 x 254	14	A42P30	A42P30G	39.00 x 27.00 991 x 686	3.00 76	2	Small
A423610LP	42.00 x 36.00 x 10.00 1067 x 914 x 254	14	A42P36	A42P36G	39.00 x 33.00 991 x 838	3.00 76	2	Large

Catalog Number	AxBxC in./mm	Body Gauge	Panel	Conductive Panel	Panel Size D x E in./mm	F in./mm	Number of Clamps	Data Pocket
A483010LP	48.00 x 30.00 x 10.00 1219 x 762 x 254	14	A48P30	A48P30G	45.00 x 27.00 1143 x 686	3.00 76	3	Small
A483610LP	48.00 x 36.00 x 10.00 1219 x 914 x 254	14	A48P36	A48P36G	45.00 x 33.00 1143 x 838	3.00 76	3	Large
A603610LP	60.00 x 36.00 x 10.00 1524 x 914 x 254	14	A60P36	A60P36G	57.00 x 33.00 1448 x 838	3.00 76	3	Large
A201612LP	20.00 x 16.00 x 12.00 508 x 406 x 305	14	A20P16	A20P16G	17.00 x 13.00 432 x 330	3.00 76	2	Small
A242012LP	24.00 x 20.00 x 12.00 610 x 508 x 305	14	A24P20	A24P20G	21.00 x 17.00 533 x 432	3.00 76	2	Small
A242412LP	24.00 x 24.00 x 12.00 610 x 610 x 305	14	A24P24	A24P24G	21.00 x 21.00 533 x 533	3.00 76	2	Small
A302412LP	30.00 x 24.00 x 12.00 762 x 610 x 305	14	A30P24	A30P24G	27.00 x 21.00 686 x 533	3.00 76	2	Large
A303012LP	30.00 x 30.00 x 12.00 762 x 762 x 305	14	A30P30	A30P30G	27.00 x 27.00 686 x 686	3.00 76	2	Large
A362412LP	36.00 x 24.00 x 12.00 914 x 610 x 305	14	A36P24	A36P24G	33.00 x 21.00 838 x 533	3.00 76	2	Large
A363012LP	36.00 x 30.00 x 12.00 914 x 762 x 305	14	A36P30	A36P30G	33.00 x 27.00 838 x 686	3.00 76	2	Large
A363612LP	36.00 x 36.00 x 12.00 914 x 914 x 305	14	A36P36	A36P36G	33.00 x 33.00 838 x 838	3.00 76	2	Large
A423012LP	42.00 x 30.00 x 12.00 1067 x 762 x 305	14	A42P30	A42P30G	39.00 x 27.00 991 x 686	3.00 76	2	Small
A423612LP	42.00 x 36.00 x 12.00 1067 x 914 x 305	14	A42P36	A42P36G	39.00 x 33.00 991 x 838	3.00 76	2	Large
A483612LP	48.00 x 36.00 x 12.00 1219 x 914 x 305	14	A48P36	A48P36G	45.00 x 33.00 1143 x 838	3.00 76	3	Large
A603612LP	60.00 x 36.00 x 12.00 1524 x 914 x 305	14	A60P36	A60P36G	57.00 x 33.00 1448 x 838	3.00 76	3	Large
A723612LP	72.00 x 36.00 x 12.00 1829 x 914 x 305	14	A72P36	A72P36G	69.00 x 33.00 1753 x 838	3.00 76	3	Large
A242016LP	24.00 x 20.00 x 16.00 610 x 508 x 406	14	A24P20	A24P20G	21.00 x 17.00 533 x 432	3.00 76	2	Small
A242416LP	24.00 x 24.00 x 16.00 610 x 610 x 406	14	A24P24	A24P24G	21.00 x 21.00 533 x 533	3.00 76	2	Small
A302416LP	30.00 x 24.00 x 16.00 762 x 610 x 406	14	A30P24	A30P24G	27.00 x 21.00 686 x 533	3.00 76	2	Large
A363016LP	36.00 x 30.00 x 16.00 914 x 762 x 406	14	A36P30	A36P30G	33.00 x 27.00 838 x 686	3.00 76	2	Large
A423616LP	42.00 x 36.00 x 16.00 1067 x 914 x 406	14	A42P36	A42P36G	39.00 x 33.00 991 x 838	3.00 76	2	Large
A483616LP	48.00 x 36.00 x 16.00 1219 x 914 x 406	14	A48P36	A48P36G	45.00 x 33.00 1143 x 838	3.00 76	3	Large
A603616LP	60.00 x 36.00 x 16.00 1524 x 914 x 406	14	A60P36	A60P36G	57.00 x 33.00 1448 x 838	3.00 76	3	Large
A302420LP	30.00 x 24.00 x 20.00 762 x 610 x 508	14	A30P24	A30P24G	27.00 x 21.00 686 x 533	3.00 76	2	Large
A363020LP	36.00 x 30.00 x 20.00 914 x 762 x 508	14	A36P30	A36P30G	33.00 x 27.00 838 x 686	3.00 76	2	Large
A483620LP	48.00 x 36.00 x 20.00 1219 x 914 x 508	14	A48P36	A48P36G	45.00 x 33.00 1143 x 838	3.00 76	3	Large
A603620LP	60.00 x 36.00 x 20.00 1524 x 914 x 508	14	A60P36	A60P36G	57.00 x 33.00 1448 x 838	3.00 76	3	Large
A302424LP	30.00 x 24.00 x 24.00 762 x 610 x 610	14	A30P24	A30P24G	27.00 x 21.00 686 x 533	3.00 76	2	Large

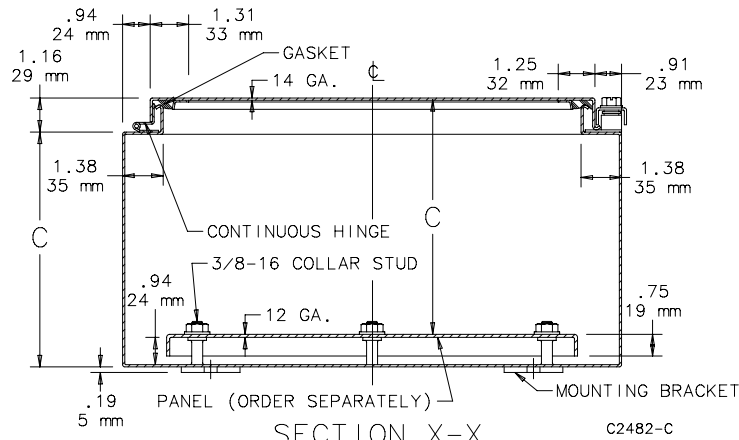
Purchase panels separately. Optional stainless steel, conductive, composite and aluminum panels are available for most sizes.

Small Data Pocket is 6.00 in. x 6.00 in. Large Data Pocket is 12.00 in. x 12.00 in.

Catalog number A723612LP has an oil-resistant strip gasket instead of foam-in-place gasket.



SECTION Y-Y



SECTION X-X

C2482-C