



Chipsmall Limited consists of a professional team with an average of over 10 year of expertise in the distribution of electronic components. Based in Hongkong, we have already established firm and mutual-benefit business relationships with customers from,Europe,America and south Asia,supplying obsolete and hard-to-find components to meet their specific needs.

With the principle of “Quality Parts,Customers Priority,Honest Operation,and Considerate Service”,our business mainly focus on the distribution of electronic components. Line cards we deal with include Microchip,ALPS,ROHM,Xilinx,Pulse,ON,Everlight and Freescale. Main products comprise IC,Modules,Potentiometer,IC Socket,Relay,Connector.Our parts cover such applications as commercial,industrial, and automotives areas.

We are looking forward to setting up business relationship with you and hope to provide you with the best service and solution. Let us make a better world for our industry!



## Contact us

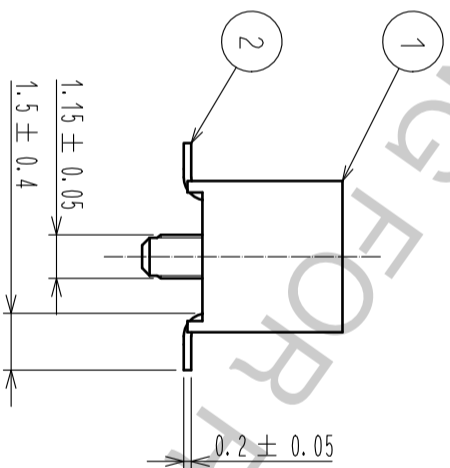
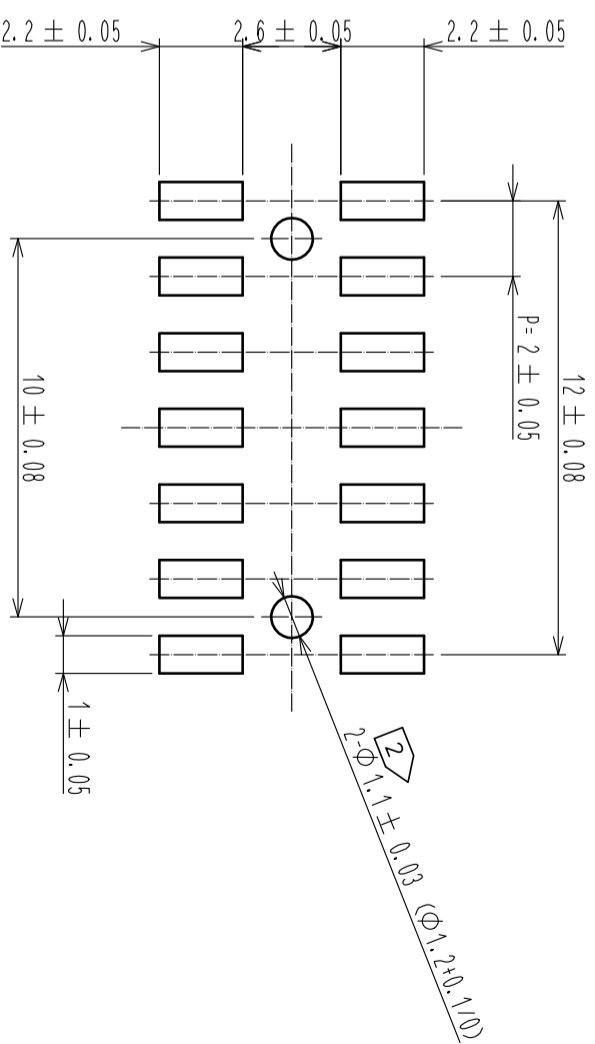
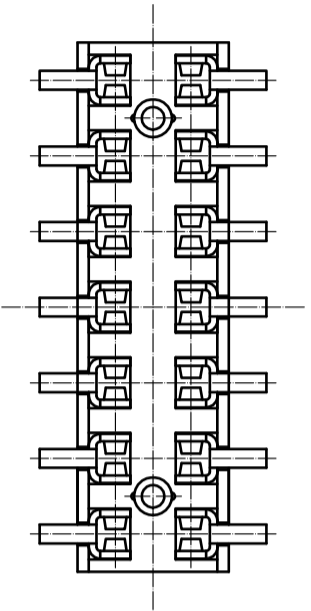
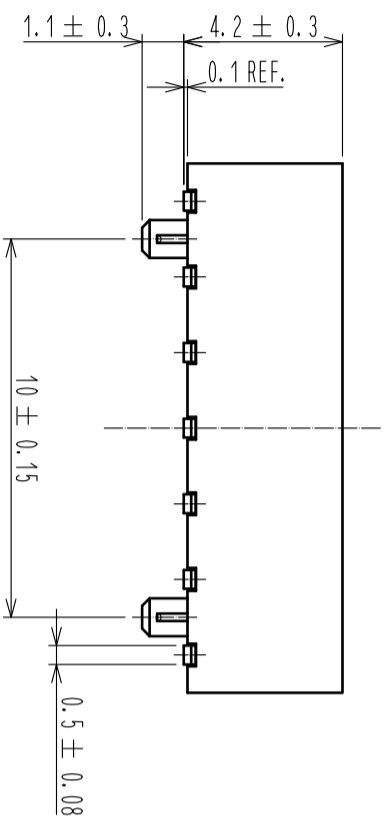
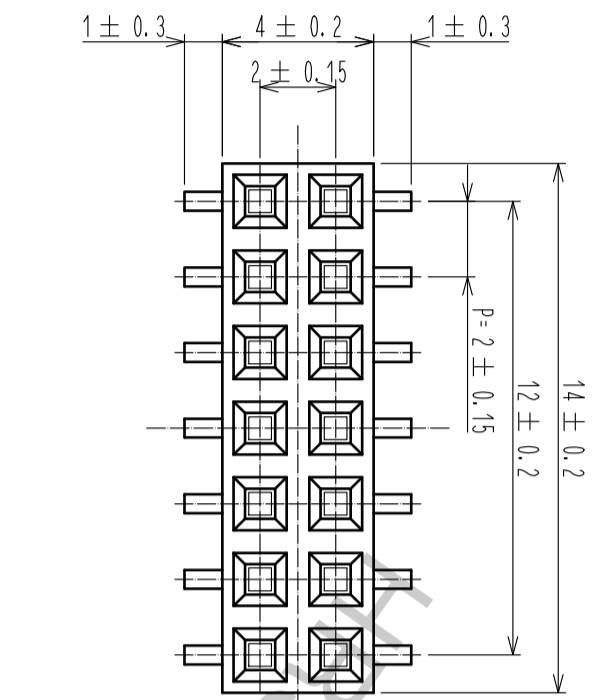
Tel: +86-755-8981 8866 Fax: +86-755-8427 6832

Email & Skype: info@chipsmall.com Web: www.chipsmall.com

Address: A1208, Overseas Decoration Building, #122 Zhenhua RD., Futian, Shenzhen, China



RECOMMENDED LAND PATTERN DIMENSION OF PCB (MOUNTING SIDE)  
 (RECOMMENDED METAL MASK THICKNESS:0.2mm)



NOTES 1. LEAD CO-PLANARITY SHALL BE 0.15 MAX.  
 2 FOR AUTOMATED MOUNTING, RECOMMENDED THROUGH HOLE DIAMETER OF BOSS IS 1.2+0.1/0.

NO.	MATERIAL	FINISH	REMARKS	NO.	MATERIAL	FINISH	REMARKS
1	POLYPHENYLENE SULFIDE	LIGHT BROWN, UL94V-0		2	PHOSPHOR BRONZE		CONTACT: GOLD PLATING 0.2μm MIN LEAD : TIN BELOW PLATING 1μm MIN UNDER : NICKEL PLATING 1μm MIN
UNITS		SCALE	COUNT	DESCRIPTION OF REVISIONS		CHECKED	DATE
mm		5:1					
APPROVED : HS. OKAWA				DRAWING NO. EDC-082678-71-21			
CHECKED : HT. YAMASUCHI				PART NO. A3A-14DA-2SV(71)			
DESIGNED : MT. ITANO				CODE CL621-1145-9-71			
DRAWN : MT. ITANO							