



Chipsmall Limited consists of a professional team with an average of over 10 year of expertise in the distribution of electronic components. Based in Hongkong, we have already established firm and mutual-benefit business relationships with customers from,Europe,America and south Asia,supplying obsolete and hard-to-find components to meet their specific needs.

With the principle of “Quality Parts,Customers Priority,Honest Operation,and Considerate Service”,our business mainly focus on the distribution of electronic components. Line cards we deal with include Microchip,ALPS,ROHM,Xilinx,Pulse,ON,Everlight and Freescale. Main products comprise IC,Modules,Potentiometer,IC Socket,Relay,Connector.Our parts cover such applications as commercial,industrial, and automotives areas.

We are looking forward to setting up business relationship with you and hope to provide you with the best service and solution. Let us make a better world for our industry!



Contact us

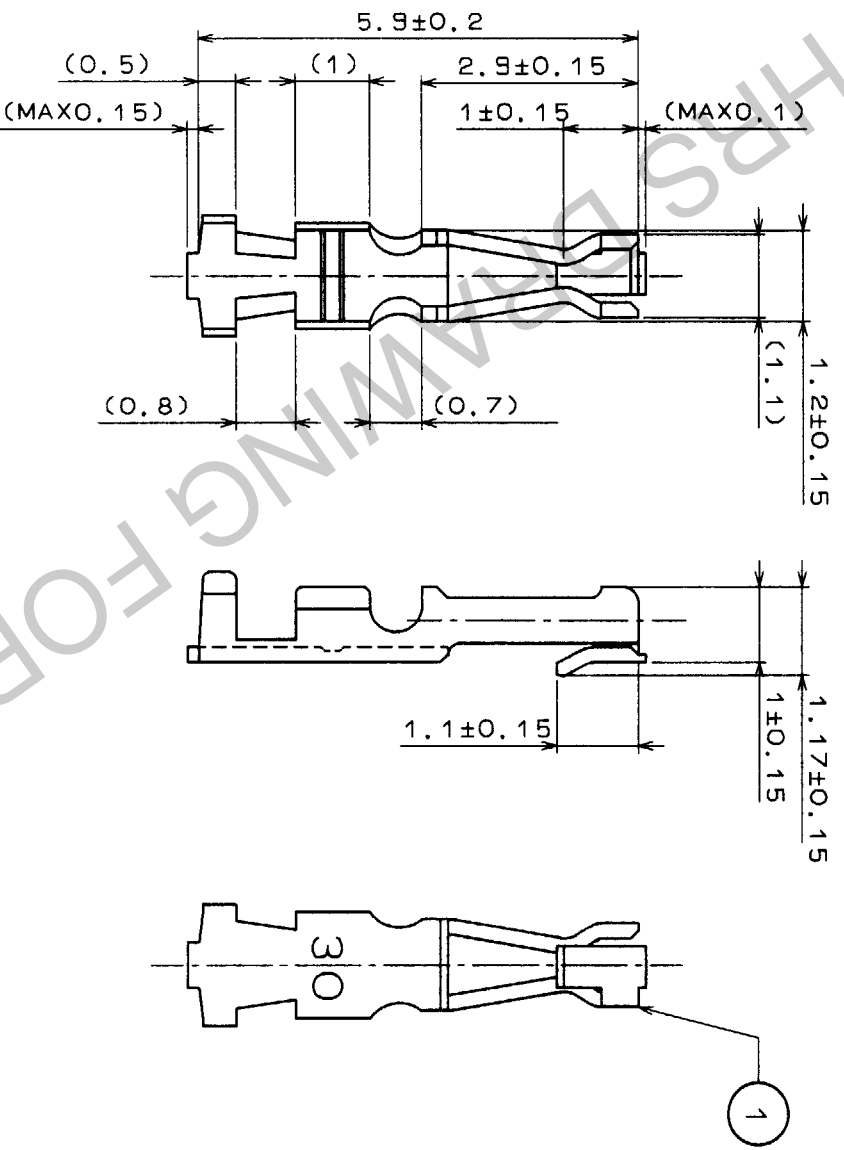
Tel: +86-755-8981 8866 Fax: +86-755-8427 6832

Email & Skype: info@chipsmall.com Web: www.chipsmall.com

Address: A1208, Overseas Decoration Building, #122 Zhenhua RD., Futian, Shenzhen, China



1	2	3	4						
COUNT	DESCRIPTION OF REVISIONS	BY	CHKD	DATE	COUNT	DESCRIPTION OF REVISIONS	BY	CHKD	DATE
			
			
			



NOTE 1 CONTACT AREA: GOLD PLATED OVER NICKEL
 THE OTHER: NICKEL PLATED

1	PHOSPHOR BRONZE	1					
NO.	MATERIAL	FINISH	REMARKS	NO.	MATERIAL	FINISH	REMARKS
			DRAWN				
			DESIGNED				
			CHECKED				
			APPROVED				
			RELEASED				

DRAWN: *J. Sakaki*
 DESIGNED: *J. Sakaki*
 CHECKED: *M. Okawa*
 APPROVED: *M. Higashiguchi*
 97.10.03 97.10.03 97.10.03 97.10.03

DRAWING NO. EDC4-021389
 PART NO. A3B-26305CC
 CODE NO. CL621-0302-0
 SCALE 10:1
 UNITS mm
 HRS HIROSE ELECTRIC CO., LTD.

TO			
----	--	--	--