



Chipsmall Limited consists of a professional team with an average of over 10 year of expertise in the distribution of electronic components. Based in Hongkong, we have already established firm and mutual-benefit business relationships with customers from,Europe,America and south Asia,supplying obsolete and hard-to-find components to meet their specific needs.

With the principle of "Quality Parts,Customers Priority,Honest Operation,and Considerate Service",our business mainly focus on the distribution of electronic components. Line cards we deal with include Microchip,ALPS,ROHM,Xilinx,Pulse,ON,Everlight and Freescale. Main products comprise IC,Modules,Potentiometer,IC Socket,Relay,Connector.Our parts cover such applications as commercial,industrial, and automotives areas.

We are looking forward to setting up business relationship with you and hope to provide you with the best service and solution. Let us make a better world for our industry!



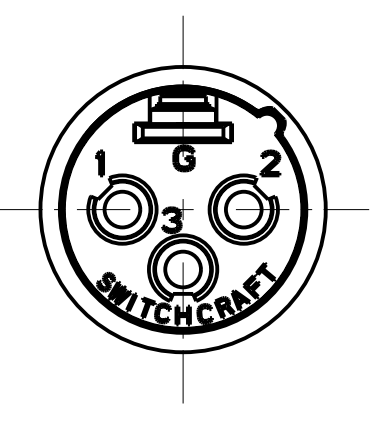
Contact us

Tel: +86-755-8981 8866 Fax: +86-755-8427 6832

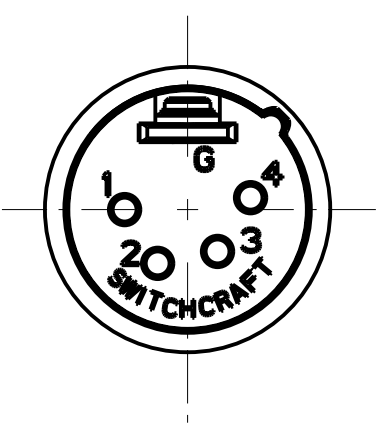
Email & Skype: info@chipsmall.com Web: www.chipsmall.com

Address: A1208, Overseas Decoration Building, #122 Zhenhua RD., Futian, Shenzhen, China

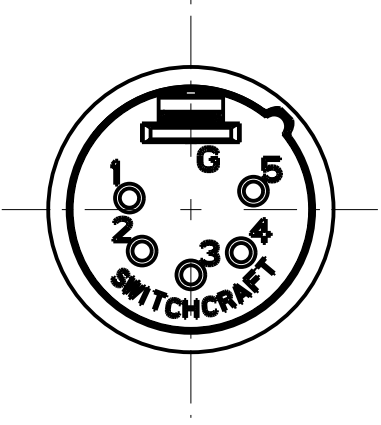




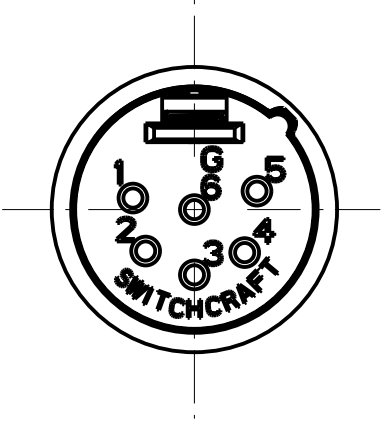
3 PIN



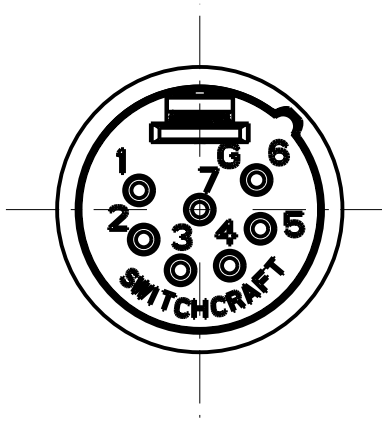
4 PIN



5 PIN



6 PIN



7 PIN

STANDARD SERIES

- (M) INSERT SCREW - STAINLESS STEEL
- FLEX RELIEF SCREW - STEEL
- HOUSING - ZINC, NICKEL PLATED
- TUBULAR INSULATOR - MYLAR
- SOLDER TERMINAL - BRASS, ELECTRO TIN
- FLEX RELIEF - HI-FAX
- CLAMP PLATE - STAINLESS STEEL
- INSULATOR - POLYESTER, GREEN (UL94V-0)
- PINS - BRASS, SILVER PLATED

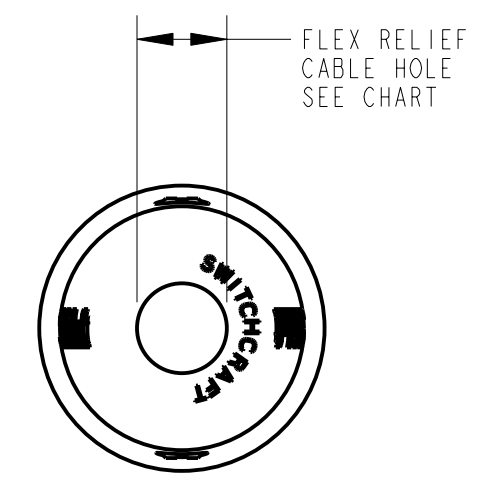
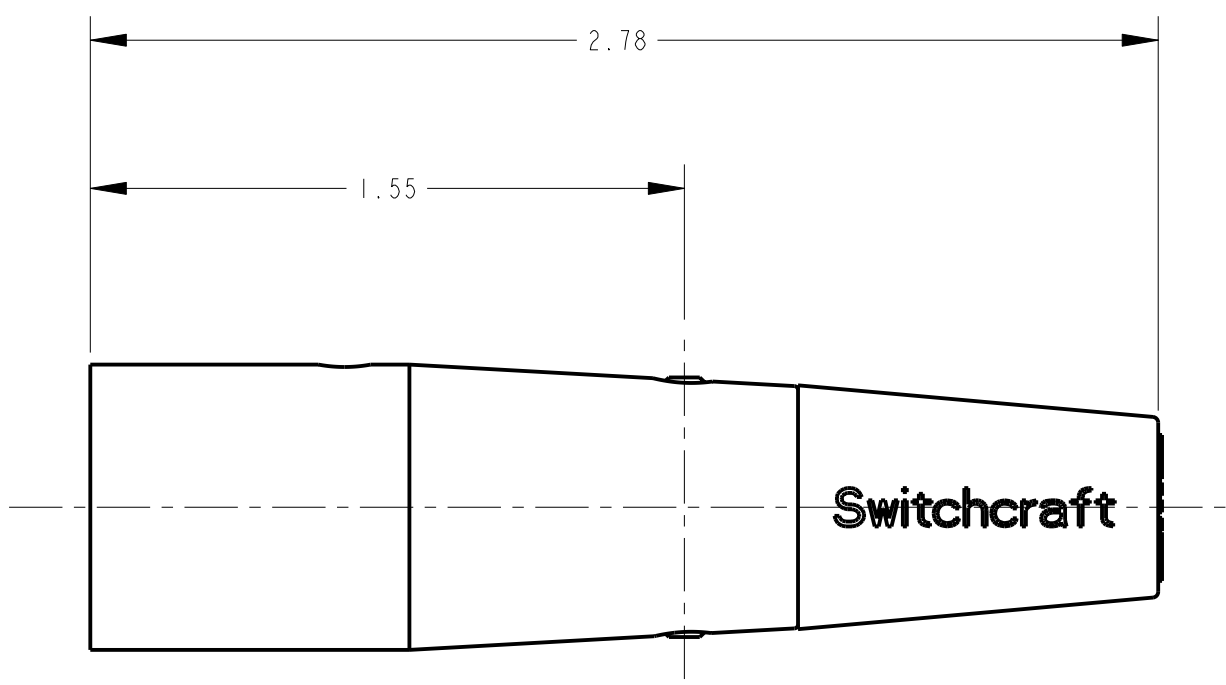
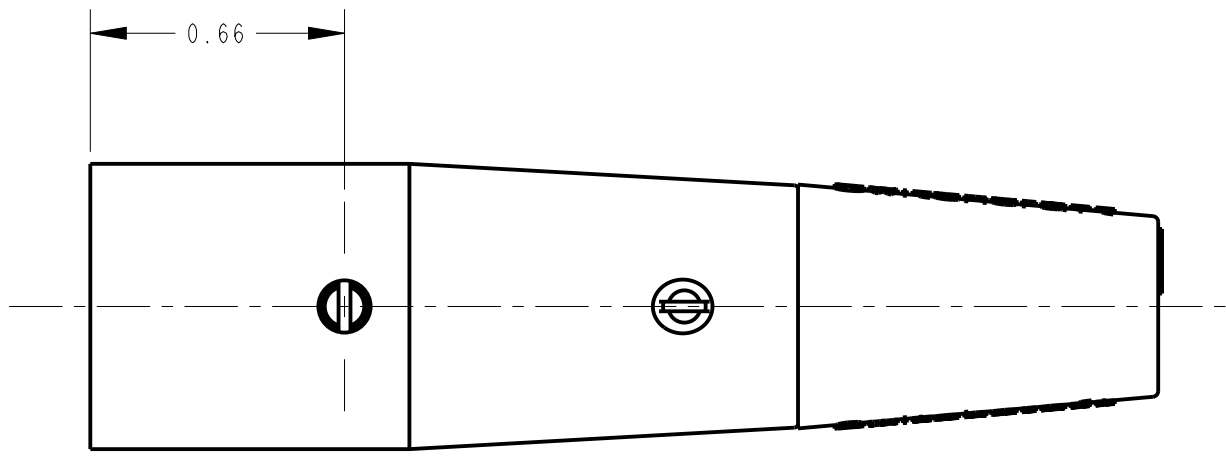
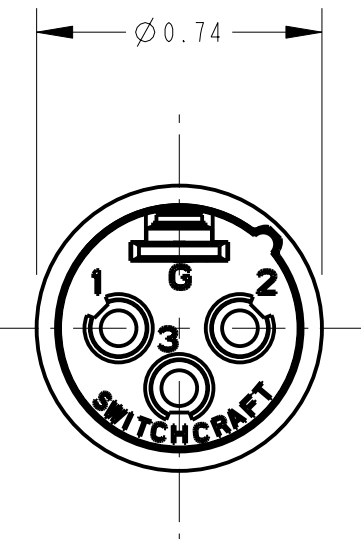
- A - M
- FLEX RELIEF COLOR
 - BLANK = BLACK
 - 01 = BROWN
 - 02 = RED
 - 03 = ORANGE
 - 04 = YELLOW
 - 05 = GREEN
 - 06 = BLUE
 - 07 = VIOLET
 - 08 = GRAY
 - 09 = WHITE
- PIN PLATING
 - BLANK = SILVER (STANDARD)
 - AU = GOLD
- HOUSING FINISH
 - BLANK = NICKEL PLATED (STANDARD)
 - B = BLACK
- FLEX RELIEF SIZE
 - BLANK = STANDARD SIZE (0.210 TO 0.300)
 - L = LARGE CABLES (0.300 TO .0328)
 - S = SMALL CABLES (0.105 TO 0.205)
- NO. OF PINS:
 - 3 = 3 PINS
 - 4 = 4 PINS
 - 5 = 5 PINS
 - 6 = 6 PINS
 - 7 = 7 PINS

PROFESSIONAL SERIES

- (M) SAME AS ABOVE EXCEPT
- HOUSING - NON-REFLECTIVE VELTONE FINISH
- FLEX RELIEF - GRAY
- PIN - PHOSPHOR BRONZE, GOLD OVER NICKEL

- OGP - 23
- NO. OF PINS:
 - 3 = 3 PINS
 - 4 = 4 PINS
 - 5 = 5 PINS
 - 6 = 6 PINS
 - 7 = 7 PINS

NOTE:
1. ALL DIMENSIONS REFERENCE UNLESS OTHERWISE SPECIFIED.



CUSTOMER DRAWING

★ STAR SYMBOL DENOTES CRITICAL DIMENSION				THIS DRAWING DESCRIBES A DESIGN CONSIDERED PROPRIETARY IN NATURE, DEVELOPED AND MANUFACTURED BY SWITCHCRAFT INC. AND IS RELEASED ON A CONFIDENTIAL BASIS FOR IDENTIFICATION PURPOSES ONLY.					
UNLESS OTHERWISE SPECIFIED				SIZE	WIDTH	MULT	LBS/M	TEMPER	
1. ALL DIMENSIONS IN INCHES - TWO PLACE DECIMALS ±0.01 - THREE PLACE DECIMALS ±0.005 - ANGLES ±1° - ALL DIA. CONCENTRIC WITHIN 0.005 T.I.R.				FINISH		MATERIAL SPEC No.			
2. FEATURES ON THE SAME CENTERLINE MUST BE ALIGNED WITHIN ±0.002				FIRST USED ON		SCALE 2:1			
3. REMOVE ALL BURRS				DATE DRAWN	BY	CHKD	APVD	Switchcraft SHEET OF	
DO NOT SCALE DRAWING				6-18-94	SG	7-22-94	8-1-94		
REVISIONS				NAME				PART No.	REV
				A SERIES MALE OGP				A_M_SERIES	M