



Chipsmall Limited consists of a professional team with an average of over 10 year of expertise in the distribution of electronic components. Based in Hongkong, we have already established firm and mutual-benefit business relationships with customers from,Europe,America and south Asia,supplying obsolete and hard-to-find components to meet their specific needs.

With the principle of “Quality Parts,Customers Priority,Honest Operation,and Considerate Service”,our business mainly focus on the distribution of electronic components. Line cards we deal with include Microchip,ALPS,ROHM,Xilinx,Pulse,ON,Everlight and Freescale. Main products comprise IC,Modules,Potentiometer,IC Socket,Relay,Connector.Our parts cover such applications as commercial,industrial, and automotives areas.

We are looking forward to setting up business relationship with you and hope to provide you with the best service and solution. Let us make a better world for our industry!



Contact us

Tel: +86-755-8981 8866 Fax: +86-755-8427 6832

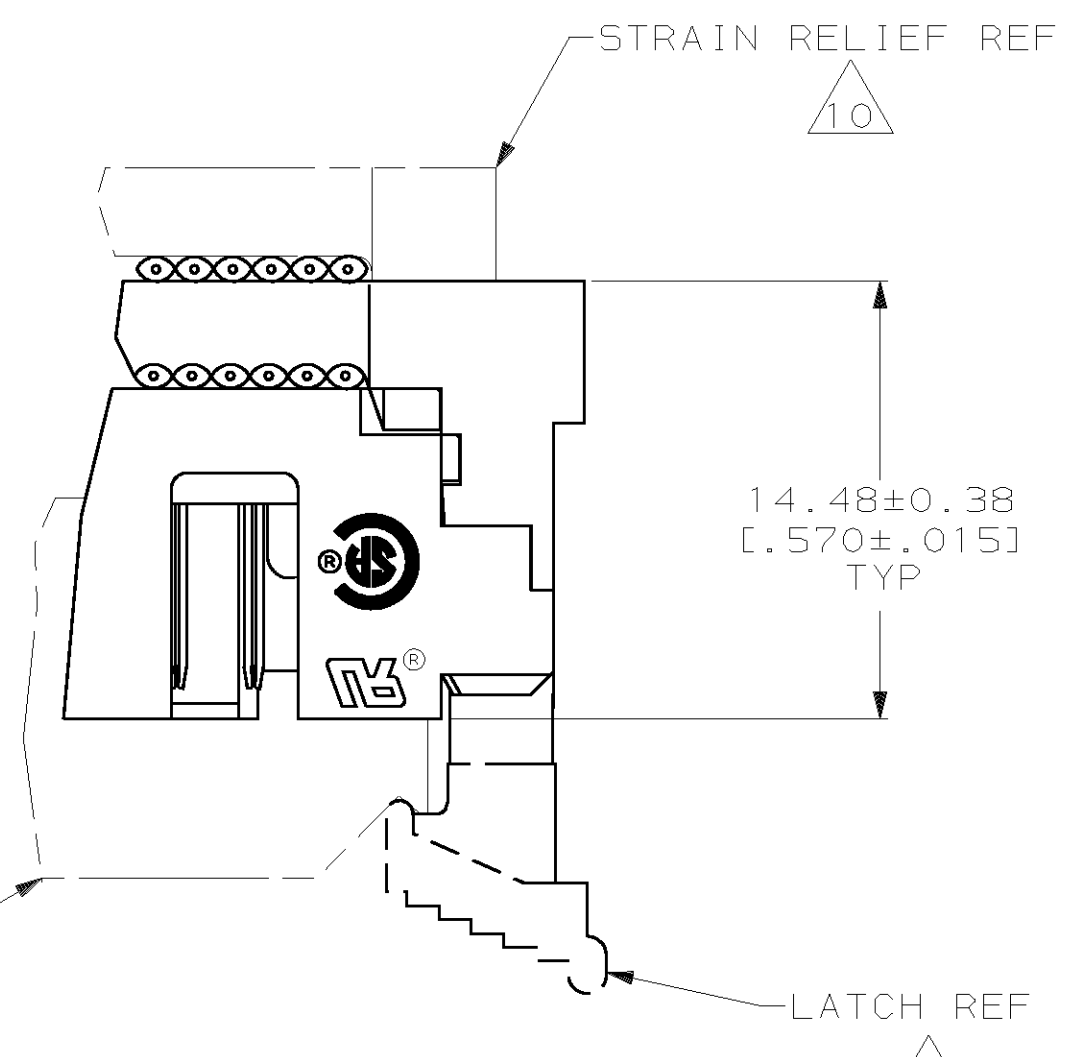
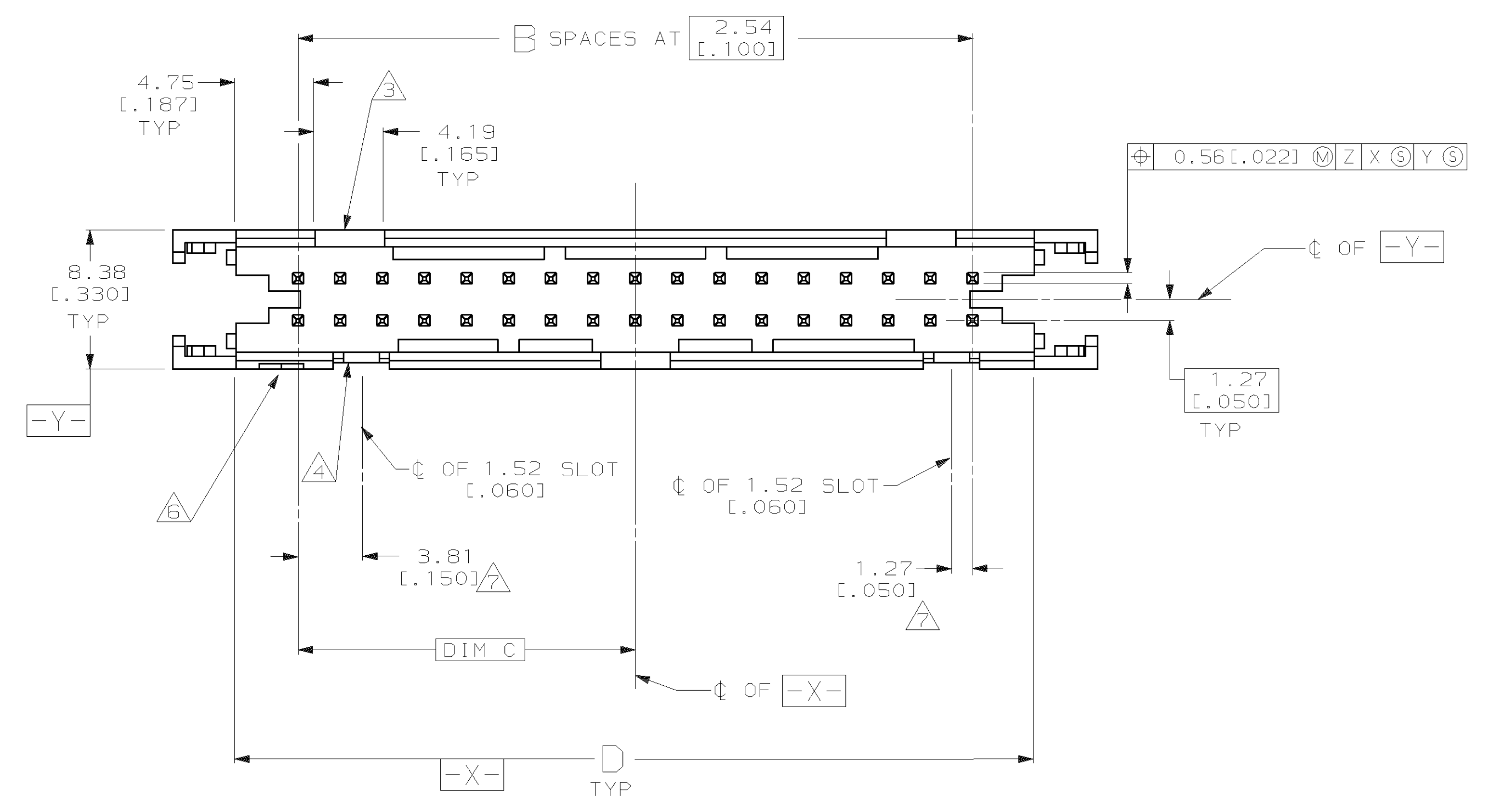
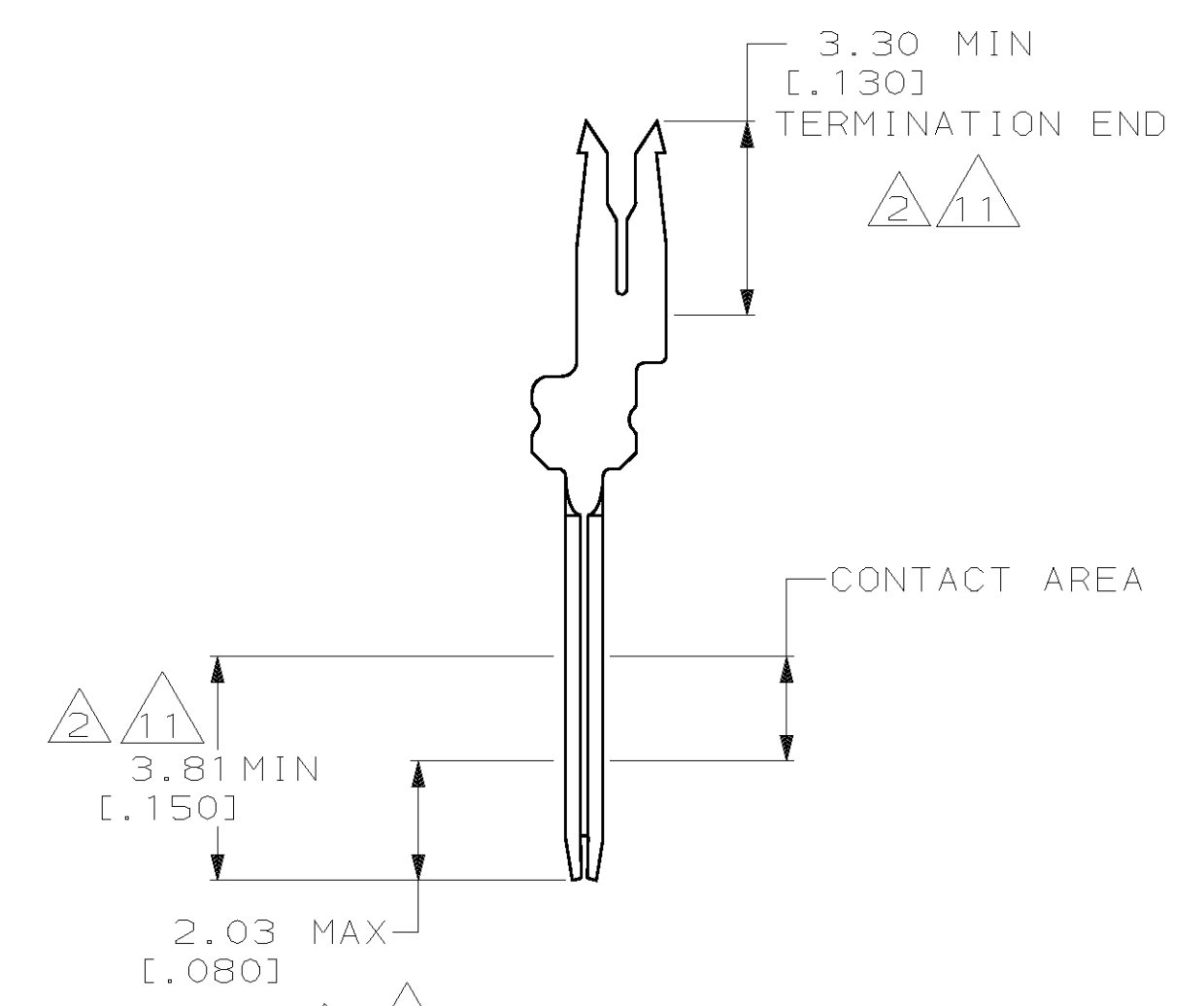
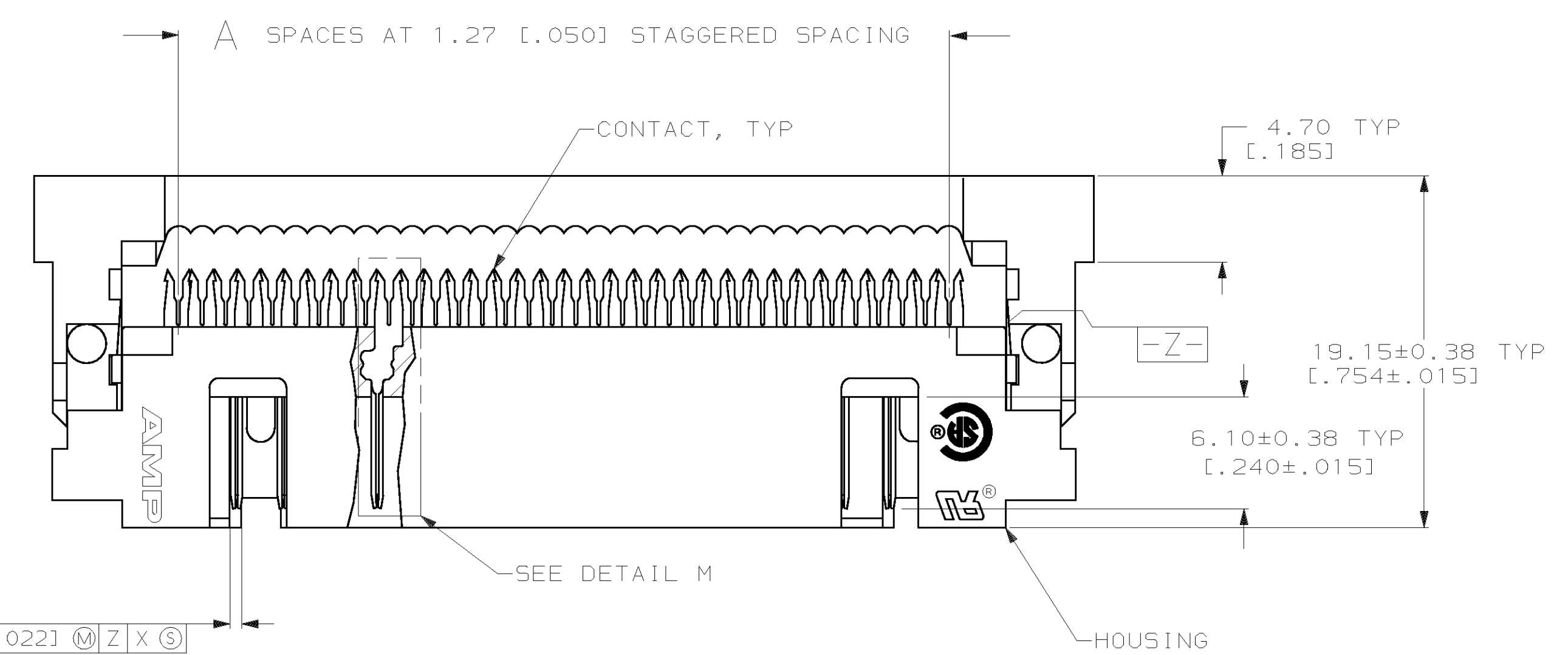
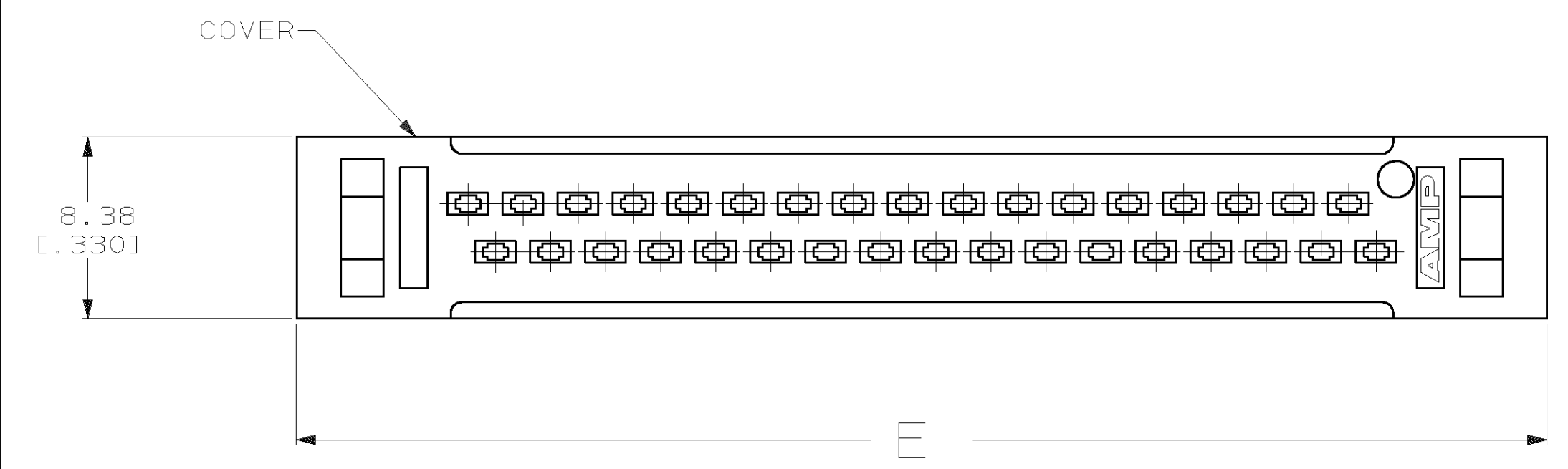
Email & Skype: info@chipsmall.com Web: www.chipsmall.com

Address: A1208, Overseas Decoration Building, #122 Zhenhua RD., Futian, Shenzhen, China



LOC		DIST		REVISONS		DESCRIPTION		DATE	APPD
GP	00	P	F	ZONE	LTR				
				F		REVISED PER EC 0513-0246-04		20JUN04	JG

- 1 FLAME RETARDANT 94V-0 RATED THERMOPLASTIC; BLACK.
- 2 2.54µm [.000100] MIN BRIGHT TIN-LEAD ON TERMINATION END, 0.76µm [.000030] MIN GOLD ON CONTACT AREA, ALL OVER 1.27µm [.000050] MIN NICKEL.
- 3 NO SLOT ON THIS END FOR 10 AND 14 POSITION HOUSINGS.
- 4 NO SLOT FOR SNAP-IN POLARIZER ON THIS END FOR 10 AND 14 POSITION HOUSINGS.
- 5. FOR MILITARY POLARIZATION, ORDER SNAP-IN POLARIZER 499991-2 (BULK PACK OF 50).
- 6 POSITION NO 1 INDICATOR.
- 7 COORDINATE DIMENSION APPLIES FROM CENTER OF ACTUAL FEATURE.
- 8 FOR LATCHES ORDER 111451, 2 PER ASSEMBLY.
- 9 PHOSPHOR BRONZE PER QQ-B-750.
- 10 STRAIN RELIEF 111547 MUST BE ORDERED SEPARATELY.
- 11 2.54µm [.000100] MIN TIN ON TERMINATION END, 0.76µm [.000030] MIN GOLD ON CONTACT AREA, ALL OVER 1.27µm [.000050] MIN NICKEL.



CONTACT FINISH	E	D	C	B	A	NO OF POSN	PART NUMBER
11	95.81 [3.772]	86.21 [3.394]	39.37 [1.550]	31	63	64	2-111446-6
11	89.59 [3.527]	81.13 [3.194]	36.83 [1.450]	29	59	60	2-111446-5
11	70.41 [2.772]	60.81 [2.394]	26.67 [1.050]	21	43	44	2-111446-4
11	65.33 [2.572]	55.73 [2.194]	24.13 [0.950]	19	39	40	2-111446-3
11	57.71 [2.272]	48.11 [1.894]	20.32 [0.800]	16	33	34	2-111446-2
11	52.63 [2.072]	43.03 [1.694]	17.78 [0.700]	14	29	30	2-111446-1
11	47.55 [1.872]	37.95 [1.494]	15.24 [0.600]	12	25	26	2-111446-0
11	45.01 [1.772]	35.41 [1.394]	13.97 [0.550]	11	23	24	1-111446-9
11	39.93 [1.572]	30.33 [1.194]	11.43 [0.450]	9	19	20	1-111446-8
11	78.03 [3.072]	68.43 [2.694]	30.48 [1.200]	24	49	50	1-111446-7
11	34.85 [1.372]	25.25 [0.994]	8.89 [0.350]	7	15	16	1-111446-6
11	32.31 [1.272]	22.71 [0.894]	7.62 [0.300]	6	13	14	1-111446-5
11	27.230 [1.072]	17.63 [0.694]	5.08 [0.200]	4	9	10	1-111446-4
2	95.81 [3.772]	86.21 [3.394]	39.37 [1.550]	31	63	64	1-111446-3
2	89.59 [3.527]	81.13 [3.194]	36.83 [1.450]	29	59	60	1-111446-2
2	78.03 [3.072]	68.43 [2.694]	30.48 [1.200]	24	49	50	1-111446-1
2	70.41 [2.772]	60.81 [2.394]	26.67 [1.050]	21	43	44	1-111446-0
2	65.33 [2.572]	55.73 [2.194]	24.13 [0.950]	19	39	40	111446-9
2	57.71 [2.272]	48.11 [1.894]	20.32 [0.800]	16	33	34	111446-8
2	52.63 [2.072]	43.03 [1.694]	17.78 [0.700]	14	29	30	111446-7
2	47.55 [1.872]	37.95 [1.494]	15.24 [0.600]	12	25	26	111446-6
2	45.01 [1.772]	35.41 [1.394]	13.97 [0.550]	11	23	24	111446-5
2	39.93 [1.572]	30.33 [1.194]	11.43 [0.450]	9	19	20	111446-4
2	34.85 [1.372]	25.25 [0.994]	8.89 [0.350]	7	15	16	111446-3
2	32.31 [1.272]	22.71 [0.894]	7.62 [0.300]	6	13	14	111446-2
2	27.230 [1.072]	17.63 [0.694]	5.08 [0.200]	4	9	10	111446-1

DO NOT SCALE PRINT. UNLESS SPECIFIED DIMENSIONS IN mm [INCHES] TOLERANCES ON: 2 PLC DEC ± 0.13(.005) 3 PLC DEC ± - ANGLES ± -

DR 7-11-90 H MOLL
 CHK 8-1-90 F.M.HEINEY
 APPD 8-2-90 D.HOFFMAN
 APPD 8-3-90 D.HOFFMAN

MATERIAL HOUSING & COVER: 1
 CONTACTS: 9
 FINISH CONTACTS: SEE TABLE

DR 7-11-90 H MOLL
 CHK 8-1-90 F.M.HEINEY
 APPD 8-2-90 D.HOFFMAN
 APPD 8-3-90 D.HOFFMAN

PRODUCT SPEC 108-1336
 APPLICATION SPEC 114-7011
 WEIGHT -

AMP INCORPORATED
 Harrisburg, Pa. 17105

NAME UNIV I/O PIN CONN, WITHOUT MOUNTING EARS, AMP-LATCH™

SIZE D CAGE CODE 00779 DRAWING NO 111446
 SCALE 4:1 SHEET 1 OF 1