

Chipsmall Limited consists of a professional team with an average of over 10 year of expertise in the distribution of electronic components. Based in Hongkong, we have already established firm and mutual-benefit business relationships with customers from,Europe,America and south Asia,supplying obsolete and hard-to-find components to meet their specific needs.

With the principle of “Quality Parts,Customers Priority,Honest Operation,and Considerate Service”,our business mainly focus on the distribution of electronic components. Line cards we deal with include Microchip,ALPS,ROHM,Xilinx,Pulse,ON,Everlight and Freescale. Main products comprise IC,Modules,Potentiometer,IC Socket,Relay,Connector.Our parts cover such applications as commercial,industrial, and automotives areas.

We are looking forward to setting up business relationship with you and hope to provide you with the best service and solution. Let us make a better world for our industry!



Contact us

Tel: +86-755-8981 8866 Fax: +86-755-8427 6832

Email & Skype: info@chipsmall.com Web: www.chipsmall.com

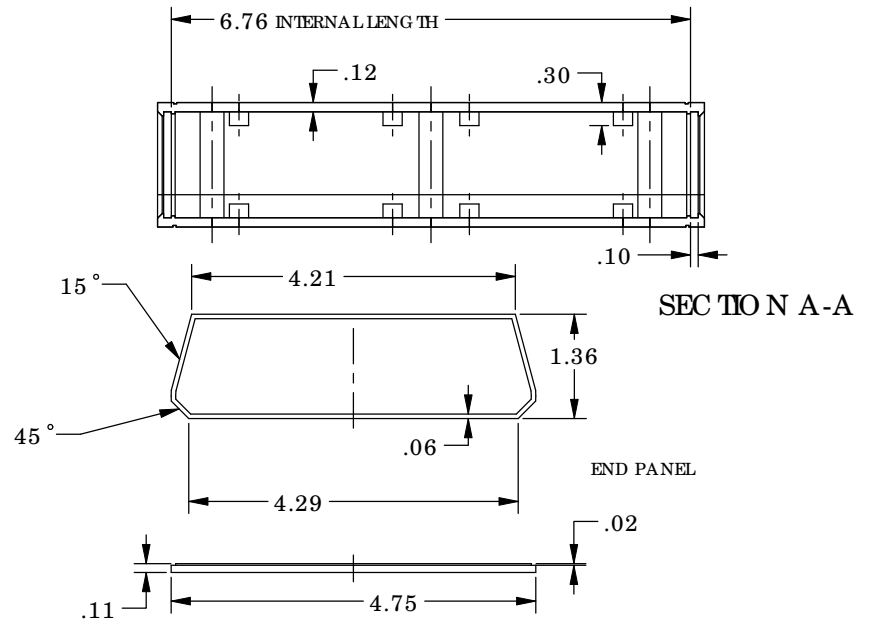
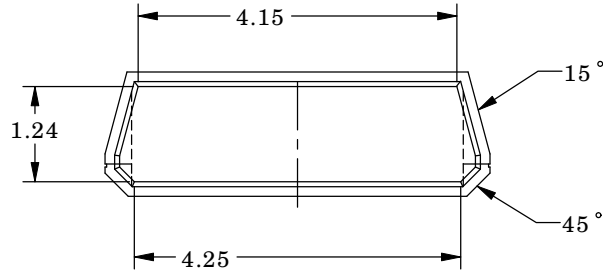
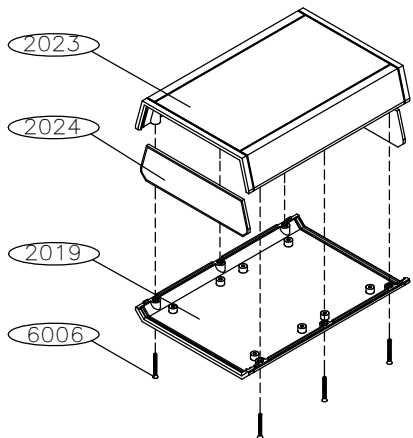
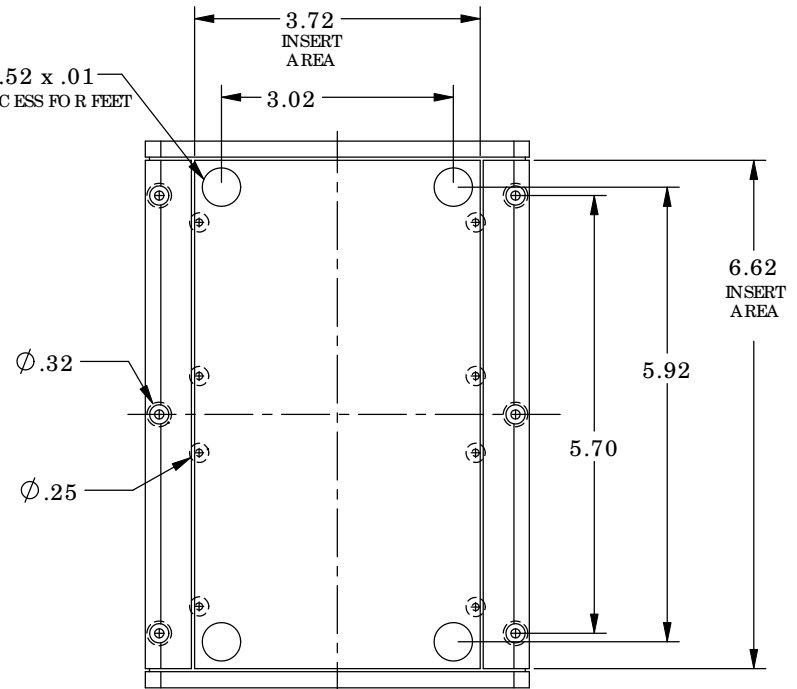
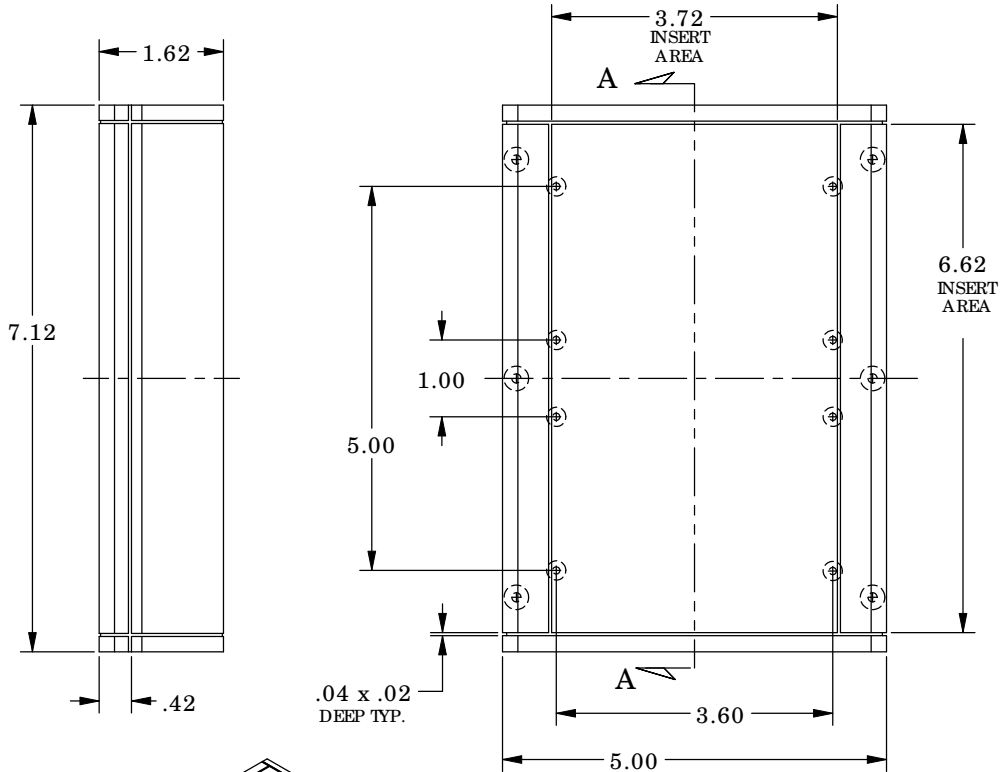
Address: A1208, Overseas Decoration Building, #122 Zhenhua RD., Futian, Shenzhen, China

SERPAC A-42

Electronic Enclosures

NO TES:

1. WHEN MACHINING OR T PLATE MODIFICATIONS ARE REQUIRED, DIMENSION FROM THE CENTER OF THE ENCLOSURE



PART NO.	DESCRIPTION	PART NO.	ACCESSORIES (NOT SHOWN)
2023	TOP	51	FEET
2024	END PANEL	2024IR	INFRARED PANEL
2019	BOTTOM	2024CL	CLEAR PANEL
6006	SCREW	2024DB9	DB9 CUTOUT PANEL
		2024DB25	DB25 CUTOUT PANEL

ALL DIMENSIONS ARE ± .010"

11/11/05

619 Commercial Ave. Covina, CA 91723

Ph. (626) 331-0517 Ex. (626) 331-8584 serpac.com