



Chipsmall Limited consists of a professional team with an average of over 10 year of expertise in the distribution of electronic components. Based in Hongkong, we have already established firm and mutual-benefit business relationships with customers from,Europe,America and south Asia,supplying obsolete and hard-to-find components to meet their specific needs.

With the principle of “Quality Parts,Customers Priority,Honest Operation,and Considerate Service”,our business mainly focus on the distribution of electronic components. Line cards we deal with include Microchip,ALPS,ROHM,Xilinx,Pulse,ON,Everlight and Freescale. Main products comprise IC,Modules,Potentiometer,IC Socket,Relay,Connector.Our parts cover such applications as commercial,industrial, and automotives areas.

We are looking forward to setting up business relationship with you and hope to provide you with the best service and solution. Let us make a better world for our industry!



## Contact us

Tel: +86-755-8981 8866 Fax: +86-755-8427 6832

Email & Skype: info@chipsmall.com Web: www.chipsmall.com

Address: A1208, Overseas Decoration Building, #122 Zhenhua RD., Futian, Shenzhen, China



## FLAT AND DOME SCREW COVER, CONTOURED, TYPE 4



CSA, File No. 42186: Type 4, 12, and 13  
IEC 60529, IP67

### APPLICATION

An economical solution for a broad range of electrical and terminal wiring applications that don't require a back panel, this enclosure features aesthetic, rounded corners and is available in flat and dome cover models for mounting flexibility.

### SPECIFICATIONS

- Drawn 16 gauge steel
- No welded seams or sharp corners
- Cover screws
- Formed flanged cover
- Oil-resistant gasket
- External welded-on mounting brackets for easy installation
- Bonding provision on cover
- Grounding stud on body

### FINISH

ANSI 61 gray polyester powder paint inside and out

### ACCESSORIES

See also *Accessories*.

### MODIFICATION AND CUSTOMIZATION

Hoffman excels at modifying and customizing products to your specifications. Contact your local Hoffman sales office or distributor for complete information.

**BULLETIN: A51DR**

### INDUSTRY STANDARDS

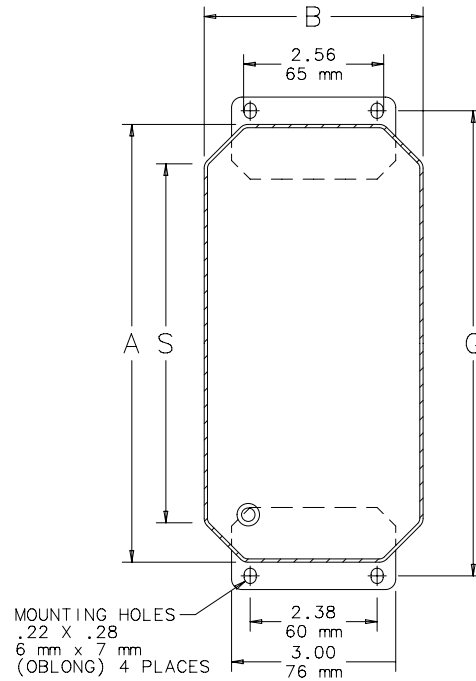
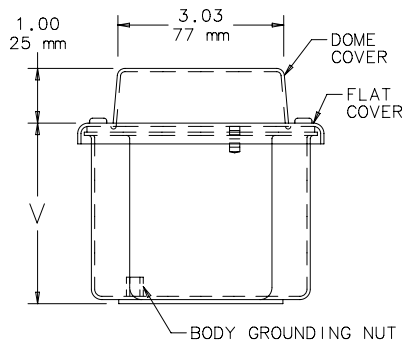
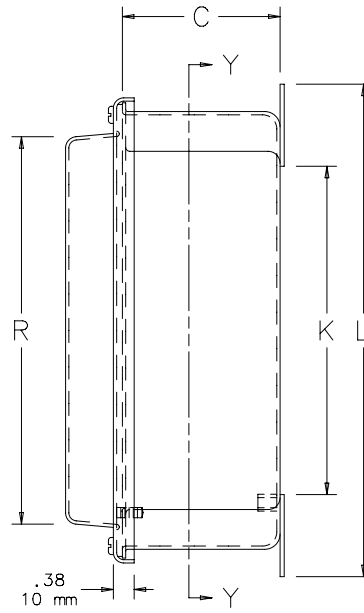
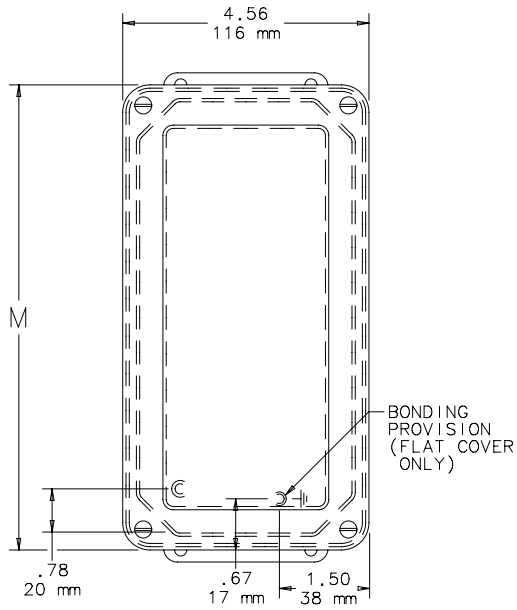
UL 508A Listed; Type 4, 6, 12, 13; File No. E61997  
cUL Listed per CSA C22.2 No. 94; Type 4, 6, 12, 13; File No. E61997

NEMA Type 4, 6, 12, and 13

Standard Product

Catalog Number	AxBxC in./mm	Interior Volume (in. <sup>3</sup> )	Mounting G in./mm	Cover Type	K in./mm	L in./mm	M in./mm	R in./mm	S in./mm	V in./mm
A443DSC	3.50 x 4.00 x 2.75 89 x 102 x 70	32.6	4.00 102	Flat	1.50 38	4.50 114	4.06 103	n/a n/a	2.06 52	2.98 76
A643DSC	5.75 x 4.00 x 2.75 146 x 102 x 70	55.9	6.25 159	Flat	3.75 95	6.75 171	6.31 160	n/a n/a	4.31 109	2.98 76
A843DSC	8.00 x 4.00 x 2.75 203 x 102 x 70	79.4	8.50 216	Flat	6.00 152	9.00 229	8.56 217	n/a n/a	6.56 167	2.98 76
A1043DSC	10.25 x 4.00 x 2.75 260 x 102 x 70	102.8	10.75 273	Flat	8.25 210	11.25 286	10.81 275	n/a n/a	8.81 224	2.98 76
A445DSC	3.50 x 4.00 x 4.75 89 x 102 x 121	44.7	4.00 102	Dome	1.50 38	4.50 114	4.06 103	2.53 64	2.06 52	3.98 101
A645DSC	5.75 x 4.00 x 4.75 146 x 102 x 121	76.9	6.25 159	Dome	3.75 95	6.75 171	6.31 160	4.78 121	4.31 109	3.98 101
A845DSC	8.00 x 4.00 x 4.75 203 x 102 x 121	109.1	8.50 216	Dome	6.00 152	9.00 229	8.56 217	7.03 179	6.56 167	3.98 101
A1045DSC	10.25 x 4.00 x 4.75 260 x 102 x 121	141.2	10.75 273	Dome	8.25 210	11.25 286	10.81 275	9.25 235	8.81 224	3.98 101

Domed-cover enclosure depth = V + 1 in. (25 mm)



SECTION Y-Y

C2473-C