



Chipsmall Limited consists of a professional team with an average of over 10 year of expertise in the distribution of electronic components. Based in Hongkong, we have already established firm and mutual-benefit business relationships with customers from,Europe,America and south Asia,supplying obsolete and hard-to-find components to meet their specific needs.

With the principle of "Quality Parts,Customers Priority,Honest Operation,and Considerate Service",our business mainly focus on the distribution of electronic components. Line cards we deal with include Microchip,ALPS,ROHM,Xilinx,Pulse,ON,Everlight and Freescale. Main products comprise IC,Modules,Potentiometer,IC Socket,Relay,Connector.Our parts cover such applications as commercial,industrial, and automotives areas.

We are looking forward to setting up business relationship with you and hope to provide you with the best service and solution. Let us make a better world for our industry!



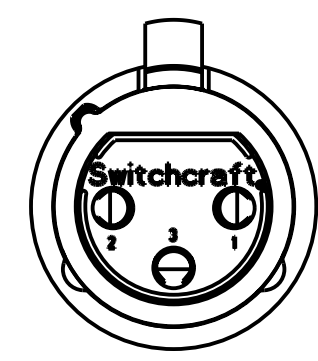
## Contact us

Tel: +86-755-8981 8866 Fax: +86-755-8427 6832

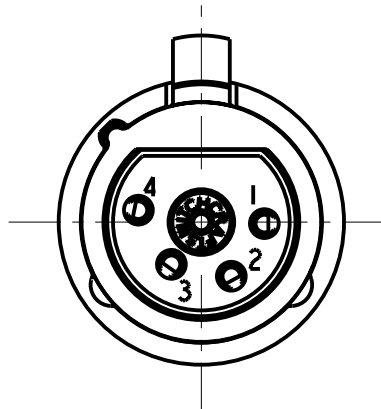
Email & Skype: info@chipsmall.com Web: www.chipsmall.com

Address: A1208, Overseas Decoration Building, #122 Zhenhua RD., Futian, Shenzhen, China

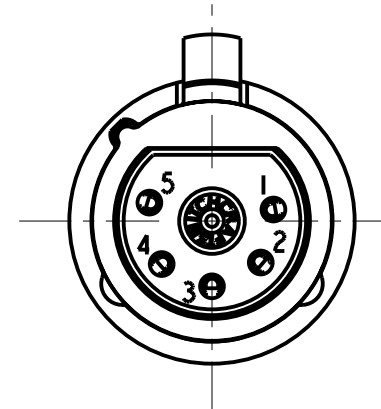




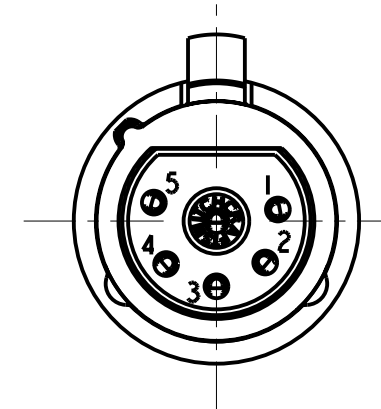
3 PIN



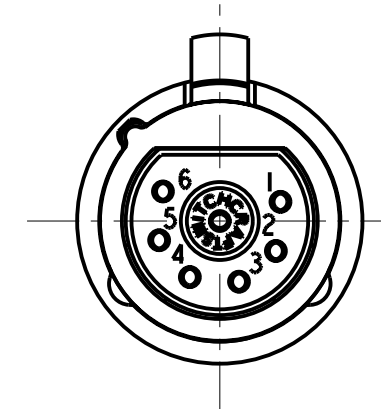
4 PIN



5 PIN



6 PIN



7 PIN

STANDARD SERIES

INSERT SCREW - STAINLESS STEEL  
 FLEX SCREW - STEEL, NICKEL PLATED  
 HOUSING - ZINC, NICKEL PLATED  
 SHELL - STAINLESS STEEL  
 LATCH BUTTOM - ZINC, NICKEL PLATED  
 LATCH SPRING - STAINLESS STEEL  
 CONTACTOR - BERYLLIUM COPPER, NICKEL PLATE  
 TUBULAR INSULATOR - MYLAR  
 SOLDER TERMINAL - BRASS, ELECTRO TIN  
 FLEX RELIEF - HI-FAX, BLACK - STANDARD (X)  
 CLAMP PLATE - STAINLESS STEEL  
 INSULATORS - POLYESTER, GREEN  
 CONTACTS - BRASS, SILVER PLATED

- A F
- ↑ ↑ ↑ ↑ ↑
- COLOR OF FLEX RELIEF
  - 01 = BROWN
  - 02 = RED
  - 03 = ORANGE
  - 04 = YELLOW
  - 05 = GREEN
  - 06 = BLUE
  - 07 = VIOLET
  - 08 = GRAY
  - 09 = WHITE
  - 11 = TAN
  - 12 = PINK
  - 13 = DARK BLUE
- CONTACT PLATING
  - BLANK = SILVER (STANDARD)
  - AU = GOLD
- HOUSING FINISH (SEE NOTE 2)
  - BLANK = NICKEL PLATE (STANDARD)
  - BX = BLACK, RoHS
- LATCH TYPE
  - BLANK = STANDARD LATCHLOCK
  - D = FAS-DIS-CONNECT DETENT (SEE FIGURE 3)
- FLEX RELIEF SIZE
  - BLANK = STANDARD SIZE (0.210 TO 0.300)
  - L = LARGE CABLES (0.300 TO .0328)
  - S = SMALL CABLES (0.105 TO 0.205)
- NO. OF CONTACTS:
  - 3 = 3 CONTACTS
  - 4 = 4 CONTACTS
  - 5 = 5 CONTACTS
  - 6 = 6 CONTACTS
  - 7 = 7 CONTACTS

PROFESSIONAL SERIES

SAME AS ABOVE EXCEPT  
 CONTACT PIN - PHOSPHOR BRONZE, GOLD OVER NICKEL  
 HOUSING - NON REFLECTIVE VEL-TONE FINISH  
 FLEX RELIEF - GRAY  
 OGP .22  
 NO. OF CONTACTS:  
 3 = 3 CONTACTS

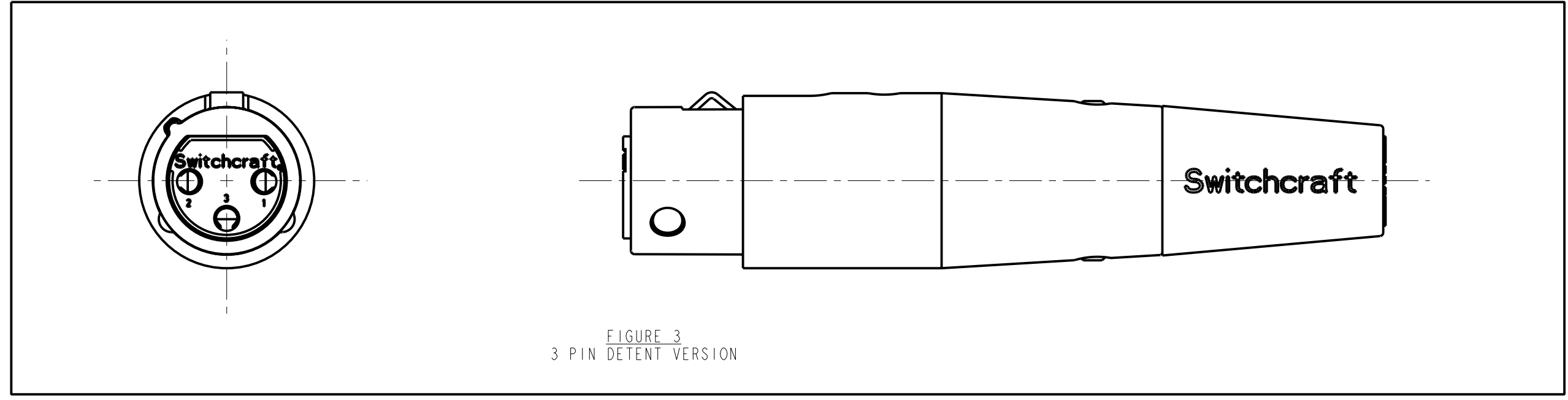
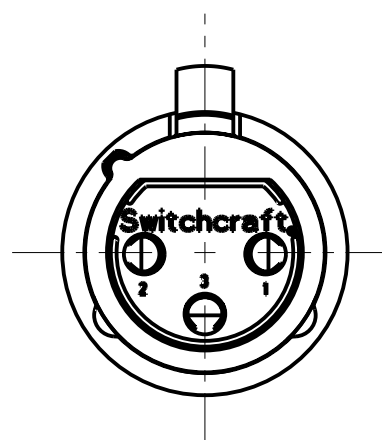
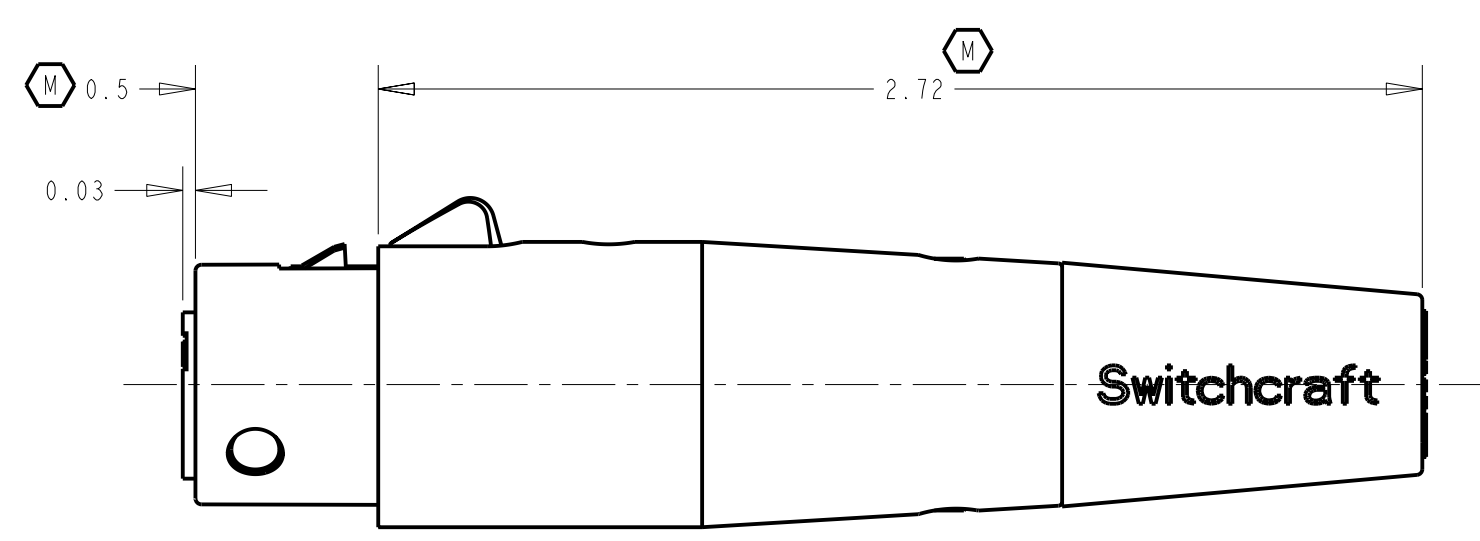
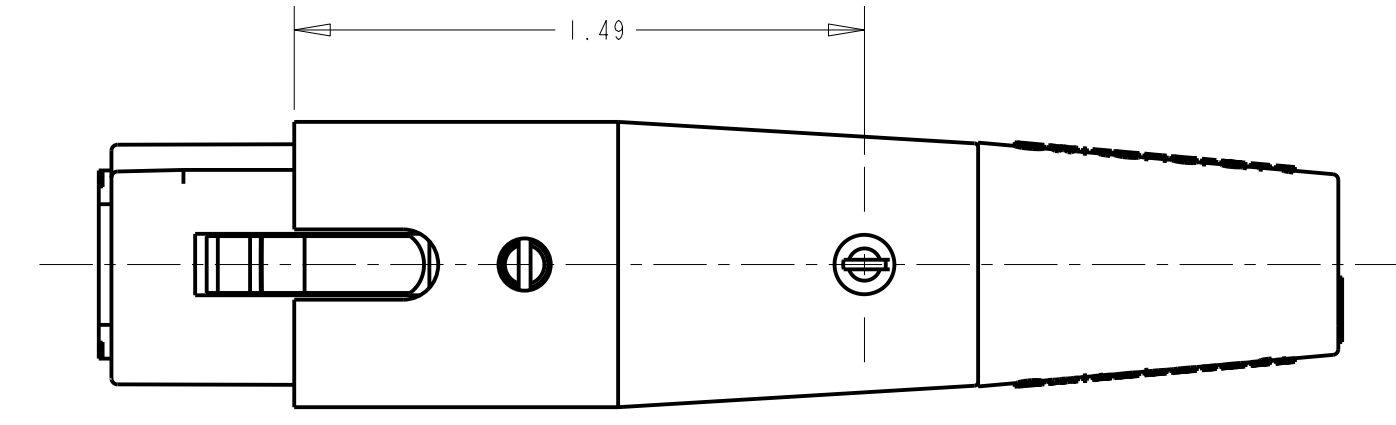


FIGURE 3  
3 PIN DETENT VERSION



- NOTE:
1. ALL DIMENSIONS REF. UNLESS OTHERWISE SPECIFIED.
  - (X) 2. BLACK HOUSING AND INSERT WITH SATIN NICKEL PLATED LATCH.
  - (X) 3. THIS PRODUCT IS RoHS COMPLIANT.

CUSTOMER DRAWING

☆ STAR SYMBOL DENOTES CRITICAL DIMENSION UNLESS OTHERWISE SPECIFIED 1. ALL DIMENSIONS IN INCHES - TWO PLACE DECIMALS ±0.01 - THREE PLACE DECIMALS ±0.005 - ANGLES ±1° - ALL DIA. CONCENTRIC WITHIN 0.005 T.I.R. 2. FEATURES ON THE SAME CENTERLINE MUST BE ALIGNED WITHIN ±0.002 3. REMOVE ALL BURRS DO NOT SCALE DRAWING					THIS DRAWING DESCRIBES A DESIGN CONSIDERED PROPRIETARY IN NATURE, DEVELOPED AND MANUFACTURED BY SWITCHCRAFT INC. AND IS RELEASED ON A CONFIDENTIAL BASIS FOR IDENTIFICATION PURPOSES ONLY.				
SIZE	WIDTH	MULT	LBS/M	TEMPER	FINISH		MATERIAL SPEC No.		
FIRST USED ON							SCALE 2:1		
DATE DRAWN	BY	CHKD	APVD	NAME		PART No.		REV	
10-26-93	SG	1-19-95	1-19-95	"A" SERIES FEMALE OGP, RoHS		A_F_SERIES		X	
REVISIONS									

