



Chipsmall Limited consists of a professional team with an average of over 10 year of expertise in the distribution of electronic components. Based in Hongkong, we have already established firm and mutual-benefit business relationships with customers from,Europe,America and south Asia,supplying obsolete and hard-to-find components to meet their specific needs.

With the principle of “Quality Parts,Customers Priority,Honest Operation,and Considerate Service”,our business mainly focus on the distribution of electronic components. Line cards we deal with include Microchip,ALPS,ROHM,Xilinx,Pulse,ON,Everlight and Freescale. Main products comprise IC,Modules,Potentiometer,IC Socket,Relay,Connector.Our parts cover such applications as commercial,industrial, and automotives areas.

We are looking forward to setting up business relationship with you and hope to provide you with the best service and solution. Let us make a better world for our industry!



Contact us

Tel: +86-755-8981 8866 Fax: +86-755-8427 6832

Email & Skype: info@chipsmall.com Web: www.chipsmall.com

Address: A1208, Overseas Decoration Building, #122 Zhenhua RD., Futian, Shenzhen, China



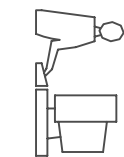
ELECTRICAL CIRCUIT:

CONNECTOR SOLDER SIDE

RJ45 CONTACT SIDE

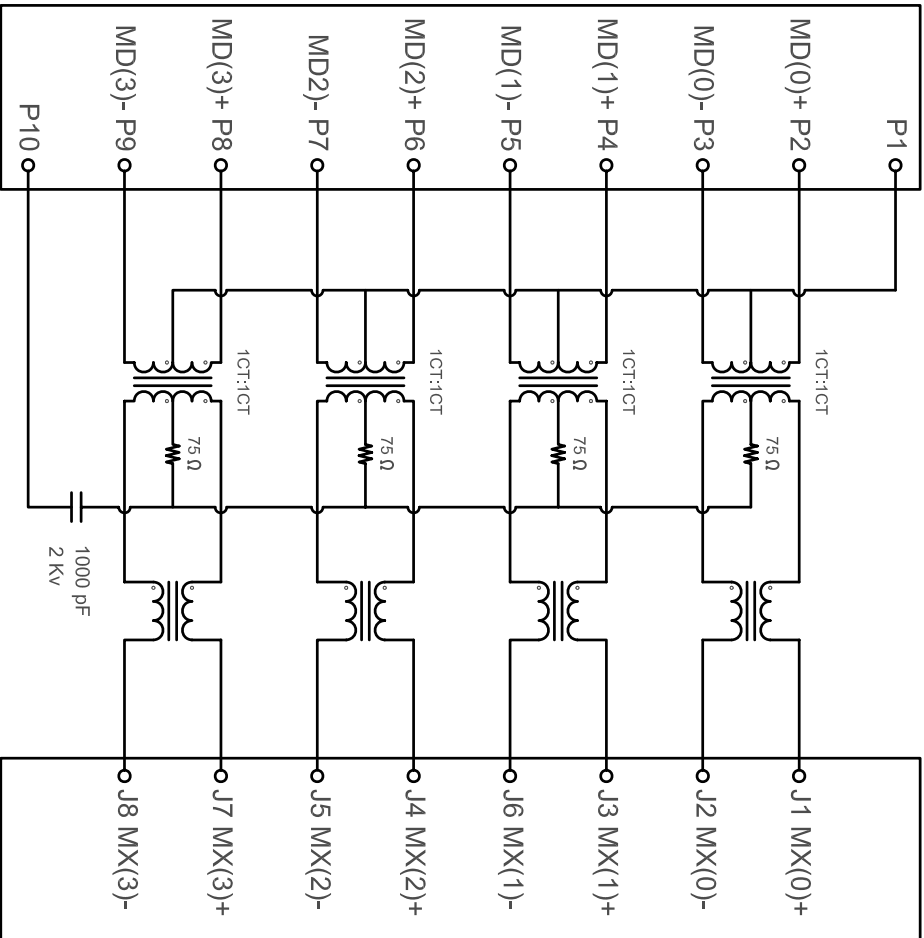
TOLERANCE UNLESS OTHERWISE SPECIFIED IN MM:	0	±0.50	ANGLE	3°
	0.0	±0.38		
	0.00	±0.25		
	0.000	±0.10		

THIS IS A C.A.D. GENERATED DRAWING
DO NOT MAKE MANUAL REVISIONS TO MASTER.

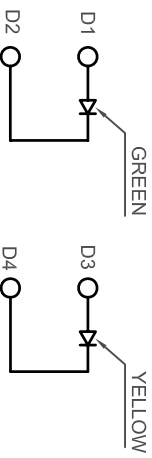


ISSUE NUMBER
ORIGINAL

1



LED CIRCUIT:



TEST NOTES:(25°±5°C)

- TR:(100KHz,0.1V): 100%
PINS:(P2,P3):(J1,J2)=1:1±3%:(P4,P5):(J3,J6)=1:1±3%
PINS:(P6,P7):(J4,J5)=1:1±3%:(P8,P9):(J7,J8)=1:1±3%
- LX:(100KHz,100mV,8mA, DC Bias) 100%
PINS:(P2,P3),(P4,P5),(P6,P7),(P8,P9)=350uH MINIMUM
- DCR: 100%
PINS:(J1,J2),(J3,J6),(J4,J5),(J7,J8)=1.2Ω MAXIMUM
- HIPOT: 100%
PINS:(P2,P3)TO(J1,J2),(P4,P5)TO(J3,J6)=1500VAC FOR 2 SECONDS
PINS:(P6,P7)TO(J4,J5),(P8,P9)TO(J7,J8)=1500VAC FOR 2 SECONDS
- INSERTION LOSS:
-1.0dB MAXIMUM AT 1MHZ TO 100MHZ;
- RETURN LOSS:
-20DB MINIMUM AT 1MHZ TO 30MHZ;
-15DB MINIMUM AT 30MHZ TO 60MHZ
-10DB MINIMUM AT 60MHZ TO 80MHZ
- CROSS TALK:
-30DB MINIMUM AT 1MHZ TO 100MHZ
-30DB MINIMUM AT 1MHZ TO 100MHZ
- COMMON TO COMMON MODE REJECTION:
-30DB MINIMUM AT 1MHZ TO 100MHZ

Color	Lens Color	Vf(V) @20mA		Iv(mcd) @10mA		Viewing angle
		Min	Max	Min	Typ	
Yellow	Yellow Diffused	1.7	2.8	3.0	6.0	2θ 1/2 116
Green	Green Diffused	1.7	2.8	3.5	6.0	116

**RJ45 MAGNETIC JACK WITH LED, 10P, 8C
SHIELDED/10/100/1000 Mbps FILTER**

ACAD REFERENCE NO.: A60-112-331P432

DRAWN: R.STA.MONICA DATE: JAN.24/2011

CHECKED: DATE:

PART NUMBER

SEE NOTE

SHEET 2 OF 2

DRAWING NUMBER

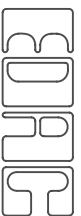
A60-112-331P432

ISSUE

1



THIS SERIES FULLY CONFORMS TO THE
EUROPEAN UNION DIRECTIVES 2002/95/EC
AND 2002/96/EC FOR ROHS COMPLIANCY.



EDAC INC
TORONTO, ONTARIO
CANADA

YOUR CONNECTION TO QUALITY & SERVICE

THESE DRAWINGS AND SPECIFICATIONS
ARE THE PROPERTY OF EDAC INC. AND
SHALL NOT BE REPRODUCED OR COPIED
OR USED AS THE BASIS FOR THE
MANUFACTURE OR SALE OF APPARATUS
WITHOUT WRITTEN PERMISSION.