



Chipsmall Limited consists of a professional team with an average of over 10 year of expertise in the distribution of electronic components. Based in Hongkong, we have already established firm and mutual-benefit business relationships with customers from,Europe,America and south Asia,supplying obsolete and hard-to-find components to meet their specific needs.

With the principle of "Quality Parts,Customers Priority,Honest Operation,and Considerate Service",our business mainly focus on the distribution of electronic components. Line cards we deal with include Microchip,ALPS,ROHM,Xilinx,Pulse,ON,Everlight and Freescale. Main products comprise IC,Modules,Potentiometer,IC Socket,Relay,Connector.Our parts cover such applications as commercial,industrial, and automotives areas.

We are looking forward to setting up business relationship with you and hope to provide you with the best service and solution. Let us make a better world for our industry!



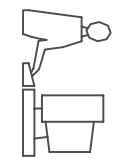
Contact us

Tel: +86-755-8981 8866 Fax: +86-755-8427 6832

Email & Skype: info@chipsmall.com Web: www.chipsmall.com

Address: A1208, Overseas Decoration Building, #122 Zhenhua RD., Futian, Shenzhen, China

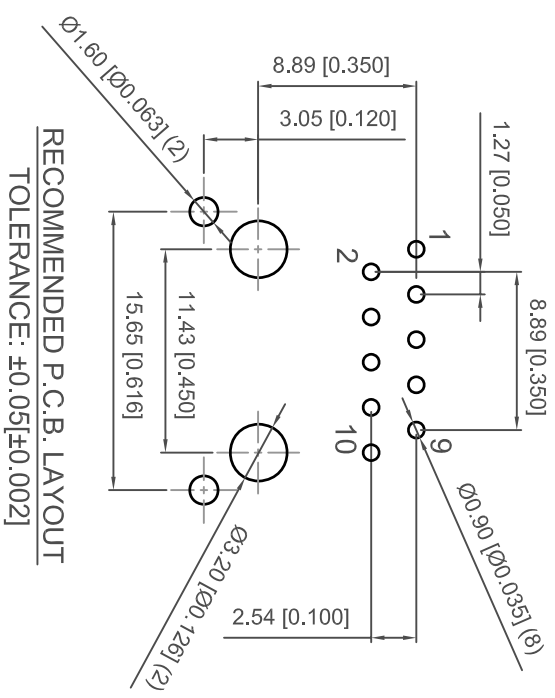
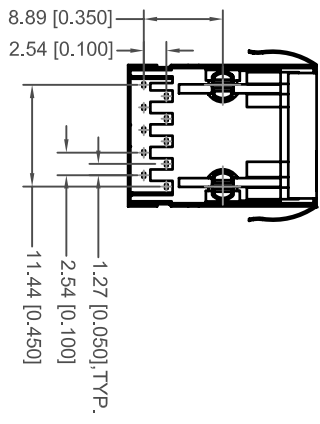
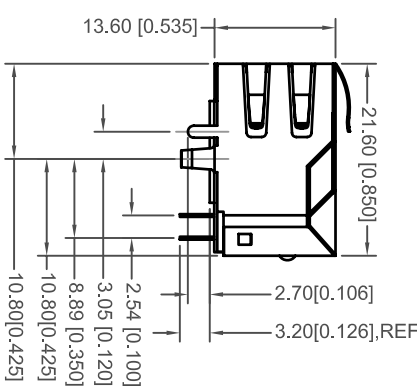
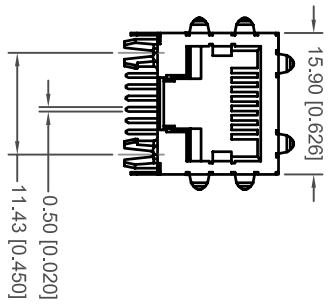
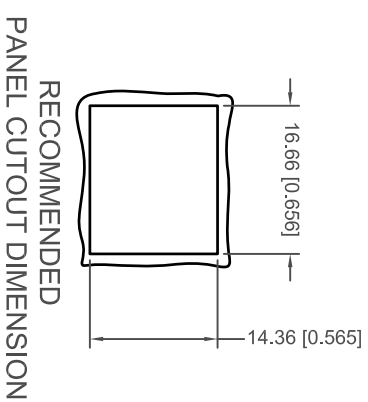
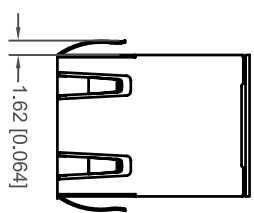




TOLERANCE UNLESS OTHERWISE SPECIFIED IN MM:
 0 ±0.50
 0.0 ±0.38
 0.00 ±0.25
 0.000 ±0.10

ANGLE 3°

THIS IS A C.A.D. GENERATED DRAWING
DO NOT MAKE MANUAL REVISIONS TO MASTER.



NOTES:
 1. MATERIALS:
 HOUSING: PBT WITH GLASS FIBER, UL94 V-0. COLOR: BLACK
 CONTACTS: 0.35MM PHOSPHOR BRONZE PLATED WITH GOLD PLATING AND TIN IN SOLDER AREA

PART NO
 A60-112-300P492 GOLD PLATING THICKNESS
 A60-113-300P492 GOLD FLASH PLATING
 A60-114-300P492 15 MICRO INCHES OF GOLD
 30 MICRO INCHES OF GOLD

SHIELD: 0.20MM COPPER ALLOY WITH NICKEL PLATING
 2. OPERATING TEMPERATURE: 0°C TO +70°C
 3. MATE WITH MODULAR PLUG CONFORMING TO FCC PART 68, SUBPART F.
 4. DIMENSION: MM [INCHES]



THIS SERIES FULLY CONFORMS TO THE EUROPEAN UNION DIRECTIVES 2002/95/EC AND 2002/96/EC FOR ROHS COMPLIANCY.

**RJ45 MAGNETIC JACK WITHOUT LED, 10P, 8C
SHIELDED/10/100/1000 Mbps FILTER**

EDAC INC
 TORONTO, ONTARIO
 CANADA

YOUR CONNECTION TO QUALITY & SERVICE

THESE DRAWINGS AND SPECIFICATIONS ARE THE PROPERTY OF EDAC INC. AND SHALL NOT BE REPRODUCED OR COPIED OR USED AS THE BASIS FOR THE MANUFACTURE OR SALE OF APPARATUS WITHOUT WRITTEN PERMISSION.

ACAD REFERENCE NO.: A60-113-300P492

DRAWN: R.STA.MONICA DATE: JAN.24/2011

CHECKED: DATE:

PART NUMBER SHEET 1 OF 2

SEE NOTE

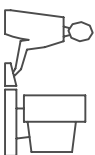
DRAWING NUMBER ISSUE

A60-112-300P492 1

ELECTRICAL CIRCUIT:

TOLERANCE UNLESS OTHERWISE SPECIFIED IN MM:		ANGLE	3°
0	± 0.50		
0.0	± 0.38		
0.00	± 0.25		
0.000	± 0.10		

THIS IS A C.A.D. GENERATED DRAWING
DO NOT MAKE MANUAL REVISIONS TO MASTER.

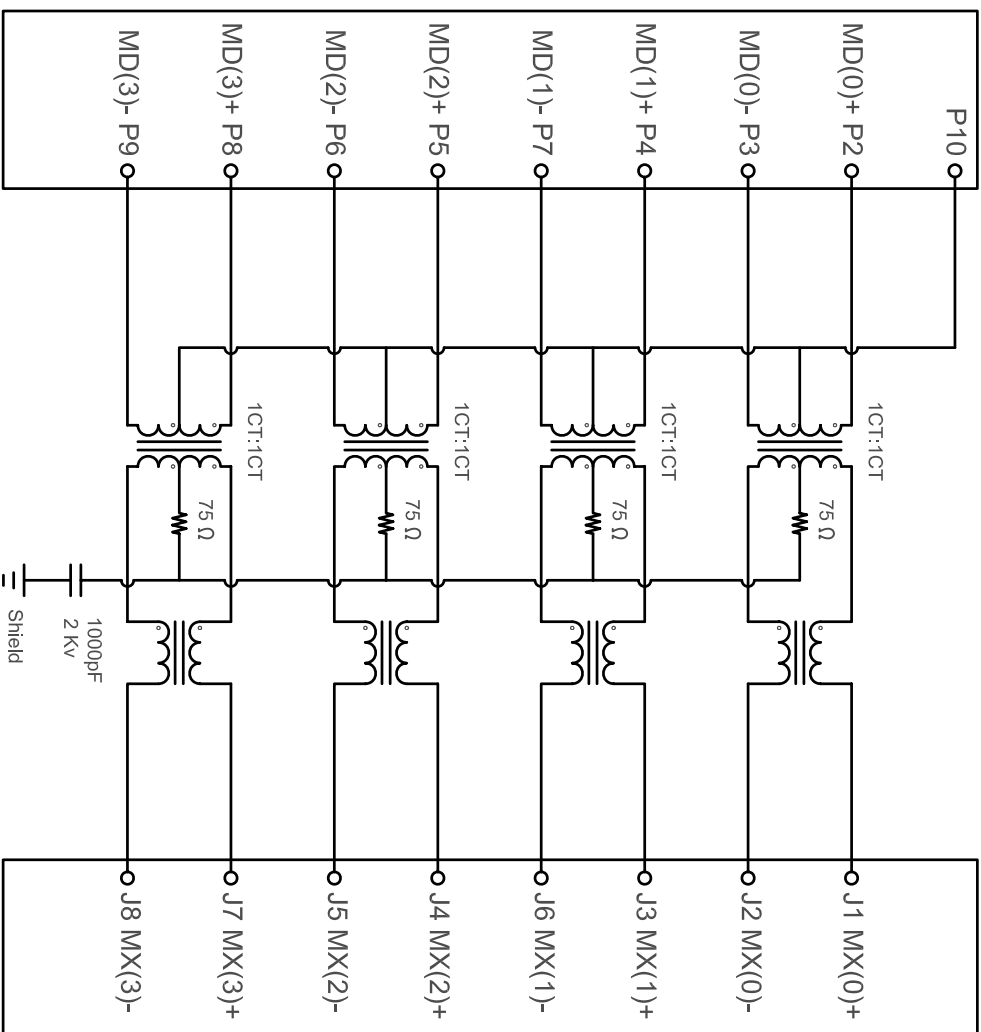


ISSUE NUMBER
ORIGINAL

1

CONNECTOR SOLDER SIDE

RJ45 CONTACT SIDE



TEST NOTES:(25°±5°C)

1. TR:(100KHz,0.1V): 100%
PINS:(P2,P3)TO(J1,J2)=1:1±3%:(P4,P5):(J3,J6)=1:1±3%
PINS:(P5,P6):(J4,J5)=1:1±3%:(P8,P9):(J7,J8)=1:1±3%
2. LX:(100KHz,100mV,8mA, DC Bias) 100%
PINS:(P2,P3),(P4,P7),(P5,P6),(P8,P9)=350uH MINIMUM
3. DCR: 100%
PINS:(J1,J2),(J3,J6),(J4,J5),(J7,J8)=1.2Ω MAXIMUM
4. HIPOT: 100%
PINS:(P2,P3)TO(J1,J2),(P4,P7)TO(J3,J6)=1500VAC FOR 2 SECONDS
PINS:(P5,P6)TO(J4,J5),(P8,P9)TO(J7,J8)=1500VAC FOR 2 SECONDS
5. INSERTION LOSS:
-1.0dB MAXIMUM AT 1 MHz TO 100MHZ;
6. RETURN LOSS:
-20dB MINIMUM AT 1MHZ TO 30MHZ;
-15dB MINIMUM AT 30MHZ TO 60MHZ
-10dB MINIMUM AT 60MHZ TO 80MHZ
7. CROSS TALK:
-30dB MINIMUM AT 0.1MHZ TO 100MHZ
-30dB MINIMUM AT 0.1MHZ TO 100MHZ
-30dB MINIMUM AT 300KHz TO 100MHZ
8. COMMON TO COMMON MODE REJECTION:

RJ45 MAGNETIC JACK WITHOUT LED, 10P, 8C
SHIELDED/10/100/1000 Mbps FILTER

ACAD REFERENCE NO.: A60-113-300P492

DRAWN: R.STA.MONICA DATE: JAN.24/2011

CHECKED: DATE:

PART NUMBER

SEE NOTE

SHEET 2 OF 2

DRAWING NUMBER

A60-112-300P492

ISSUE

1



THIS SERIES FULLY CONFORMS TO THE
EUROPEAN UNION DIRECTIVES 2002/96/EC
AND 2002/96/EC FOR RoHS COMPLIANCY.



EDAC INC
TORONTO, ONTARIO
CANADA

YOUR CONNECTION TO QUALITY & SERVICE

THESE DRAWINGS AND SPECIFICATIONS
ARE THE PROPERTY OF EDAC INC. AND
SHALL NOT BE REPRODUCED OR COPIED
OR USED AS THE BASIS FOR THE
MANUFACTURE OR SALE OF APPARATUS
WITHOUT WRITTEN PERMISSION.