



Chipsmall Limited consists of a professional team with an average of over 10 year of expertise in the distribution of electronic components. Based in Hongkong, we have already established firm and mutual-benefit business relationships with customers from,Europe,America and south Asia,supplying obsolete and hard-to-find components to meet their specific needs.

With the principle of "Quality Parts,Customers Priority,Honest Operation,and Considerate Service",our business mainly focus on the distribution of electronic components. Line cards we deal with include Microchip,ALPS,ROHM,Xilinx,Pulse,ON,Everlight and Freescale. Main products comprise IC,Modules,Potentiometer,IC Socket,Relay,Connector.Our parts cover such applications as commercial,industrial, and automotives areas.

We are looking forward to setting up business relationship with you and hope to provide you with the best service and solution. Let us make a better world for our industry!



Contact us

Tel: +86-755-8981 8866 Fax: +86-755-8427 6832

Email & Skype: info@chipsmall.com Web: www.chipsmall.com

Address: A1208, Overseas Decoration Building, #122 Zhenhua RD., Futian, Shenzhen, China





SERIES A6X

STANDARD RJ45 MAGNETIC JACKS



FEATURES:

- 10/100 or 1000 Base T options – Full IEEE 802.3 compliance
- Integrated Magnetics – Provides signal integrity, DC isolation and protection for PHY chip
- Integrated Design - Reduces component inventory and process costs
- Spring fingers on shells - Guaranteed advanced EMI/RFI suppression
- LED options available - Visual indication of port status and activity information for user
- Tab Up or Down options - Complete design for board and unit compatibility
- FCC Compliance: Part 68 Sub Part F
- RoHS Compliant

DESCRIPTION:

• Magnetic jacks are integrated connectors that combine network magnetics with RJ 45 modular jack connectors. Magnetic jacks combine connectivity with signal conditioning, electro magnetic interference suppression and signal isolation. These parameters were previously performed by separate and discrete magnetic components mounted on the PCB board.

• Available as single or stacked multiport options they are used in Data, Telecom, Networking and Home Entertainment markets for applications such as Servers, Hubs, Routers, Printers, Computers, Set Top Boxes and Digital TV's.

• MATE WITH MODULAR PLUG CONFORMING TO FCC PART 68, SUBPART F.

APPLICATIONS:

-Telecommunications:

Networks, Routers, Server Farms, LAN Adapter Cards

-Broadcast

Digital TV, Set Top Boxes, Video Streaming Equipment
Gaming Consoles, Amplifiers

-Data Products

Computers, Computer Peripherals, Consumer Products

PERFORMANCE:

- CAT5: 10/100 BASE-T
- CAT5e: 10/100/1000 BASE-T or Gigabit Ethernet
- CAT6a: 10 Gigabit Ethernet

Example Part Number:

SERIES:

A60 – 10/100/1000 BASE T, 8 CORE
A62 – 10/100 BASE T, 2 CORE
A63 – 10/100 BASE T, 4 CORE
A64 – 10/100 BASE T, 5 CORE
A65 – 10 BASE T, 3 CORE
A66 – 10 BASE T, 4 CORE
A67 – 10/100 BASE T, POE
A68 – 10/100 BASE T WITH USB TYPE A
A69 – 100/1000 BASE T WITH USB TYPE A
A70 – 100/1000 BASE T, POE

NO. OF PORTS: 1 4

STACK SIZE PORT PER STACK
11 – 1X1: 1 PORT, 21 – 2X1: 2 PORTS
12 – 1X2: 2 PORTS, 22 – 2X2: 4 PORTS
14 – 1X4: 4 PORTS, 24 – 2X4: 8 PORTS
18 – 1X8: 8 PORTS, 28 – 2X8: 16 PORTS
1A – 1+2USB: 1 PORT + 2 USB PORTS
1B – 1+2USB3.0: 1 PORT + 2 USB3.0 PORTS

CONTACT PLATING:

2 – GOLD FLASH
3 – 15 MICROINCHES OF GOLD
4 – 30 MICROINCHES OF GOLD
5 – 50 MICROINCHES OF GOLD

CONNECTOR TYPE:

2 – RIGHT ANGLE WITH TAB-UP
3 – RIGHT ANGLE WITH TAB-DOWN
4 – VERTICAL WITH TAB-UP
5 – VERTICAL WITH TAB-DOWN
6 – SMT WITH TAB-UP
7 – SMT WITH TAB-DOWN
8 – RIGHT ANGLE WITH TAB-UP AND PANEL STOP
9 – RIGHT ANGLE WITH TAB-DOWN AND PANEL STOP
A – VERTICAL WITH TAB-UP AND PANEL STOP

A60-142-200P431

ELECTRICAL CIRCUIT TYPE:

(SEE CIRCUIT TYPE PAGE FOR DETAILS)

SHIELD TYPE:

0 – NO SHIELD
1 – SHIELDED, NO EMI FINGER
2 – SHIELDED, WITH EMI FINGER ON TOP
3 – SHIELDED, WITH EMI FINGER BOTH SIDES
4 – SHIELDED, WITH EMI FINGER ON THREE SIDES
5 – SHIELDED, WITH EMI FINGER ON FOUR SIDES
6 – SHIELDED, WITH EMI FINGER ON THREE SIDES, LED TAIL STAGGERED
7 – SHIELDED, WITH EMI FINGER ON THREE SIDES, 3 LEG TAIL LED

HOUSING MATERIAL:

P – PBT POLYESTER
N – NYLON POLYESTER
L – LCP

RIGHT LED COLOR:

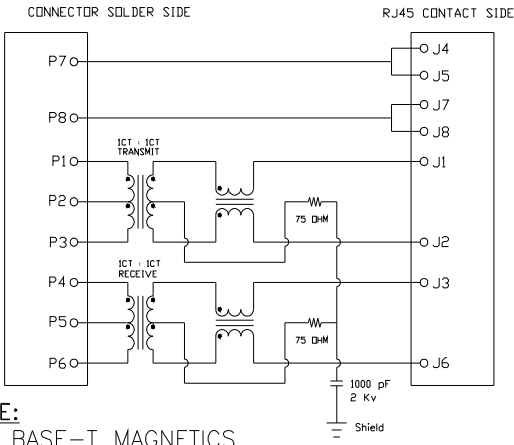
0 – NO LED
1 – YELLOW
2 – RED
3 – GREEN
4 – ORANGE
5 – GREEN/YELLOW BI-COLOR
6 – RED/GREEN BI-COLOR
7 – GREEN/ORANGE BI-COLOR
8 – RED/YELLOW BI-COLOR
9 – ORANGE/YELLOW BI-COLOR
A –

LEFT LED COLOR:

0 – NO LED
1 – YELLOW
2 – RED
3 – GREEN
4 – ORANGE
5 – GREEN/YELLOW BI-COLOR
6 – RED/GREEN BI-COLOR
7 – GREEN/ORANGE BI-COLOR
8 – RED/YELLOW BI-COLOR
9 – ORANGE/YELLOW BI-COLOR
A –

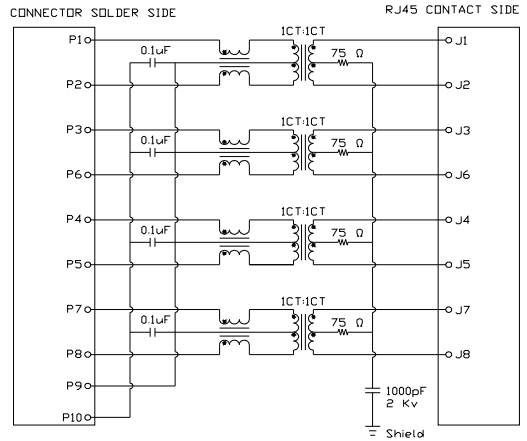
CONTACT EDAC FOR FURTHER INFORMATION ON VARIOUS OTHER CIRCUITS

16 TYPE



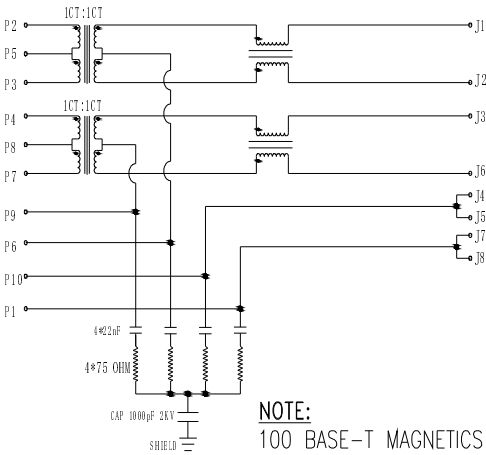
NOTE:
100 BASE-T MAGNETICS

70 TYPE



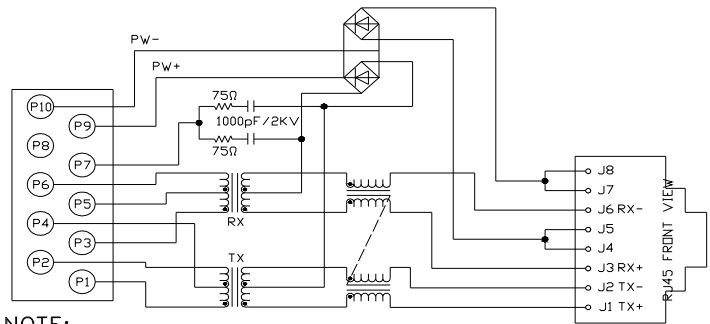
NOTE:
GIGABIT ETHERNET (1000 BASE-T) MAGNETICS

P1 TYPE: POWER OVER ETHERNET



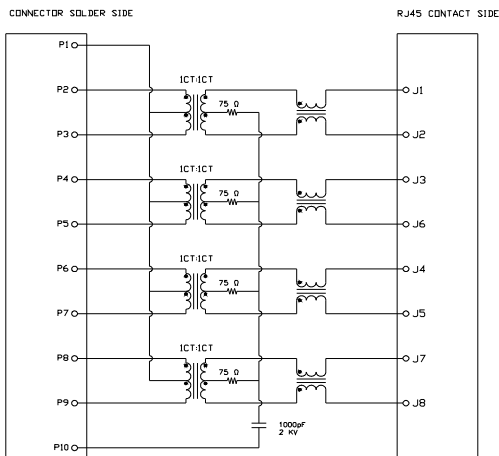
NOTE:
100 BASE-T MAGNETICS

13 TYPE: POWER OVER ETHERNET



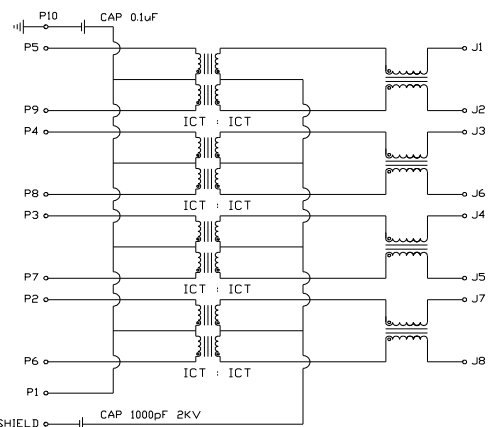
NOTE:
100 BASE-T MAGNETICS

32 TYPE



NOTE:
GIGABIT ETHERNET (1000 BASE-T) MAGNETICS

30 TYPE



NOTE:
GIGABIT ETHERNET (1000 BASE-T) MAGNETICS