



Chipsmall Limited consists of a professional team with an average of over 10 year of expertise in the distribution of electronic components. Based in Hongkong, we have already established firm and mutual-benefit business relationships with customers from,Europe,America and south Asia,supplying obsolete and hard-to-find components to meet their specific needs.

With the principle of “Quality Parts,Customers Priority,Honest Operation,and Considerate Service”,our business mainly focus on the distribution of electronic components. Line cards we deal with include Microchip,ALPS,ROHM,Xilinx,Pulse,ON,Everlight and Freescale. Main products comprise IC,Modules,Potentiometer,IC Socket,Relay,Connector.Our parts cover such applications as commercial,industrial, and automotives areas.

We are looking forward to setting up business relationship with you and hope to provide you with the best service and solution. Let us make a better world for our industry!



## Contact us

Tel: +86-755-8981 8866 Fax: +86-755-8427 6832

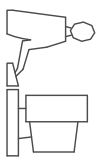
Email & Skype: info@chipsmall.com Web: www.chipsmall.com

Address: A1208, Overseas Decoration Building, #122 Zhenhua RD., Futian, Shenzhen, China

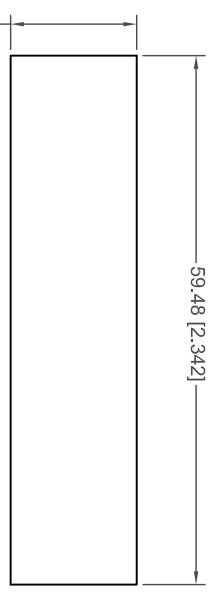
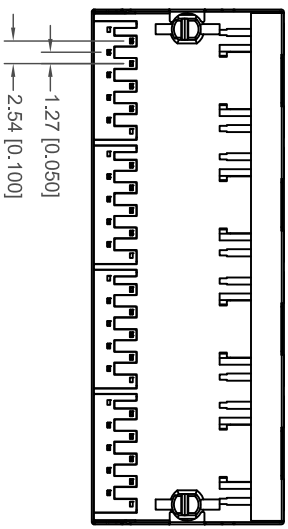
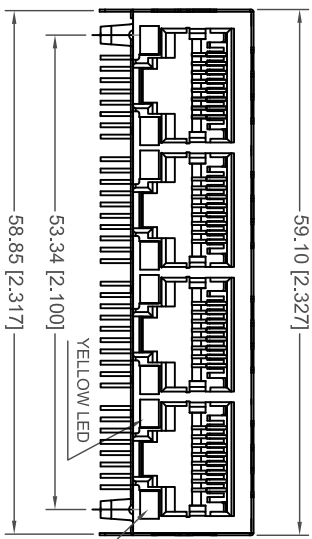
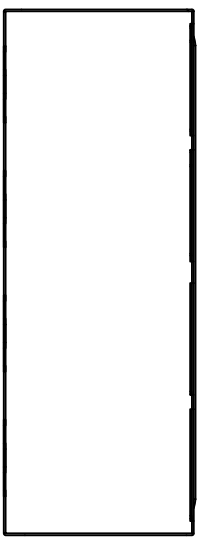


TOLERANCE UNLESS OTHERWISE SPECIFIED IN MM:		ANGLE	
0	± 0.50	3°	
0.0	± 0.38		
0.00	± 0.25		
0.000	± 0.10		

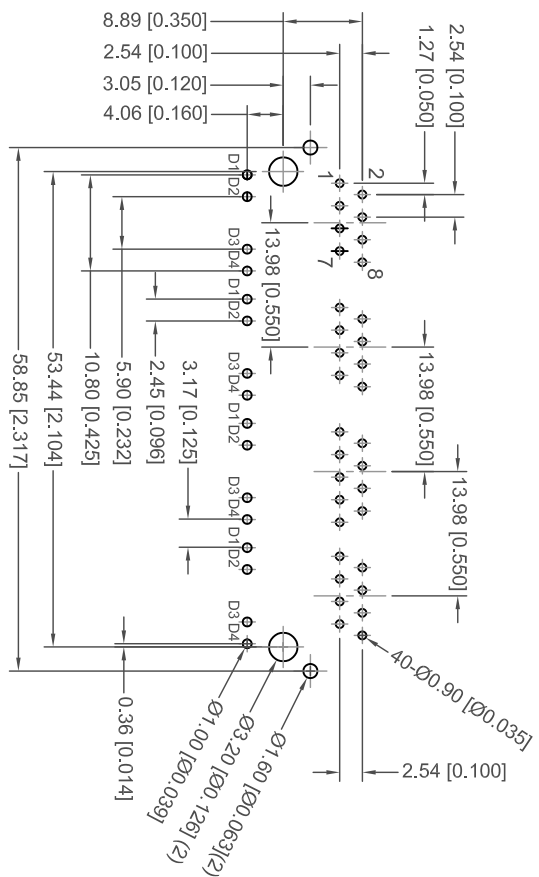
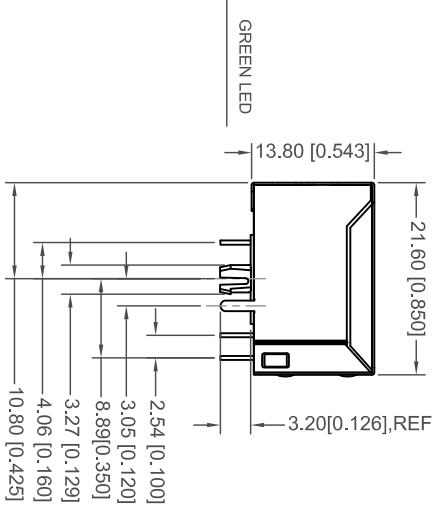
THIS IS A C.A.D. GENERATED DRAWING  
DO NOT MAKE MANUAL REVISIONS TO MASTER.



ISSUE NUMBER  
ORIGINAL  
①



**RECOMMENDED  
PANEL CUTOUT DIMENSION**



**RECOMMENDED P.C.B. LAYOUT  
TOLERANCE: ±0.05[±0.002]**

- NOTES:
1. MATERIALS:  
HOUSING: PBT WITH GLASS FIBER, UL94 V-0, COLOR: BLACK  
CONTACTS: 0.30MM PHOSPHOR BRONZE PLATED WITH GOLD PLATING AND TIN IN SOLDER AREA  
OVER 50u" NICKEL PLATING ALL OVER

PART NO	GOLD PLATING THICKNESS
A63-142-313P161	GOLD FLASH PLATING
A63-143-313P161	15 MICRO INCHES OF GOLD
A63-144-313P161	30 MICRO INCHES OF GOLD

2. SHIELD: 0.25MM COPPER ALLOY WITH NICKEL PLATING
3. OPERATING TEMPERATURE: 0°C TO +70°C
4. MATE WITH MODULAR PLUG CONFORMING TO FCC PART 68, SUBPART F.
5. DIMENSION: MM [INCHES]

**4 PORT, RJ45 MAGNETIC JACK WITH LED, 8P, 8C  
SHIELDED/10/100 Mbps FILTER**

ACAD REFERENCE NO.: A63-143-313P161

DRAWN: R.STA.MONICA DATE: NOV.19/2010

CHECKED: DATE:

PART NUMBER SHEET 1 OF 2

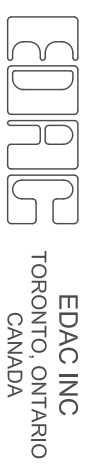
SEE NOTE

DRAWING NUMBER ISSUE

A63-142-313P161 1



THIS SERIES FULLY CONFORMS TO THE  
EUROPEAN UNION DIRECTIVES 2002/95/EC  
AND 2002/96/EC FOR ROHS COMPLIANCY.

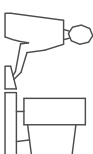


YOUR CONNECTION TO QUALITY & SERVICE

**ELECTRICAL CIRCUIT:**

TOLERANCE UNLESS OTHERWISE SPECIFIED IN MM:	ANGLE	3°
0		
±0.50		
±0.38		
0.00		
±0.25		
±0.10		

THIS IS A C.A.D. GENERATED DRAWING  
DO NOT MAKE MANUAL REVISIONS TO MASTER.

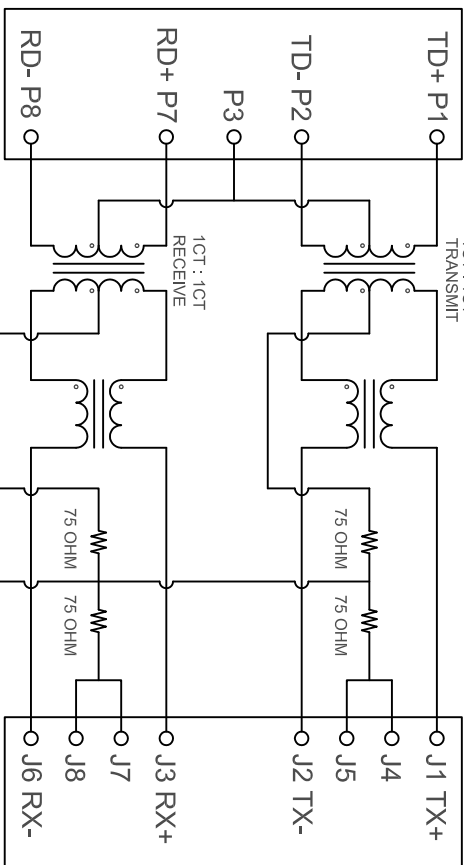


ISSUE NUMBER  
ORIGINAL

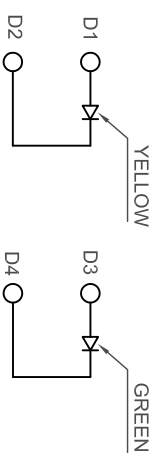
1

CONNECTOR SOLDER SIDE

RJ45 CONTACT SIDE



**LED CIRCUIT:**



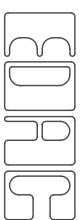
Color	Lens Color	V <sub>f</sub> (V) @20mA	I <sub>v</sub> (mcd) @10mA	Min	Max	Typ	Viewing angle
							2θ 1/2
Yellow	Yellow Diffused	1.7	3.0	1.7	2.8	6.0	116
Green	Green Diffused	1.7	3.5	1.7	2.8	6.0	116

**4 PORT, RJ45 MAGNETIC JACK WITH LED, 8P, 8C  
SHIELDED/10/100 Mbps FILTER**

- TEST NOTES:(25±5°C)**
- 1.TR:(100KHz,0.1V):  
PINS:(P1-P2):(J1-J2)=1:1±3%  
PINS:(P7-P8):(J3-J6)=1:1±3%
  - 2.LX:(100KHz,100mV,8mA, DC Bias)  
PINS: (P1,P2),(P7,P8)=350ΩH MINIMUM
  - 3.DCR:  
PINS:(J1-J2),(J3-J6)= 1.2 OHMS MAXIMUM
  - 4.HPOT:  
PINS(P1,P3,P2)TO(J1,J2)=1500VAC FOR 2 SECONDS  
PINS(P7,P3,P8)TO(J3,J6)=1500VAC FOR 2 SECONDS
  - 5.INSERTION LOSS:  
-1.0dB MAXIMUM AT 1MHZ TO 100MHZ;
  - 6.RETURN LOSS:  
-20DB MINIMUM AT 1MHZ TO 30MHZ;  
-15DB MINIMUM AT 30MHZ TO 60MHZ  
-10DB MINIMUM AT 60MHZ TO 80MHZ
  - 7.CROSS TALK:  
-30DB MINIMUM AT 1MHZ TO 100MHZ  
-30DB MINIMUM AT 60MHZ TO 80MHZ
  - 8.COMMON TO COMMON MODE REJECTION:  
-30DB MINIMUM AT 1MHZ TO 100MHZ



THIS SERIES FULLY CONFORMS TO THE  
EUROPEAN UNION DIRECTIVES 2002/95/EC  
AND 2002/96/EC FOR ROHS COMPLIANCY.



EDAC INC  
TORONTO, ONTARIO  
CANADA

YOUR CONNECTION TO QUALITY & SERVICE

THESE DRAWINGS AND SPECIFICATIONS  
ARE THE PROPERTY OF EDAC INC. AND  
SHALL NOT BE REPRODUCED OR COPIED  
OR USED AS THE BASIS FOR THE  
MANUFACTURE OR SALE OF APPARATUS  
WITHOUT WRITTEN PERMISSION.

ACAD REFERENCE NO.: A63-143-313P161

DRAWN: R.STA.MONICA DATE: NOV.19/2010

CHECKED: DATE:

PART NUMBER

SEE NOTE

SHEET 2 OF 2

DRAWING NUMBER

A63-142-313P161

ISSUE

1