



Chipsmall Limited consists of a professional team with an average of over 10 year of expertise in the distribution of electronic components. Based in Hongkong, we have already established firm and mutual-benefit business relationships with customers from,Europe,America and south Asia,supplying obsolete and hard-to-find components to meet their specific needs.

With the principle of “Quality Parts,Customers Priority,Honest Operation,and Considerate Service”,our business mainly focus on the distribution of electronic components. Line cards we deal with include Microchip,ALPS,ROHM,Xilinx,Pulse,ON,Everlight and Freescale. Main products comprise IC,Modules,Potentiometer,IC Socket,Relay,Connector.Our parts cover such applications as commercial,industrial, and automotives areas.

We are looking forward to setting up business relationship with you and hope to provide you with the best service and solution. Let us make a better world for our industry!



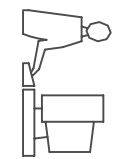
## Contact us

Tel: +86-755-8981 8866 Fax: +86-755-8427 6832

Email & Skype: info@chipsmall.com Web: www.chipsmall.com

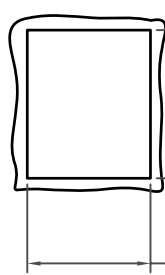
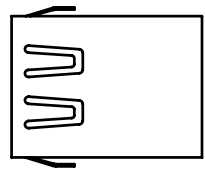
Address: A1208, Overseas Decoration Building, #122 Zhenhua RD., Futian, Shenzhen, China





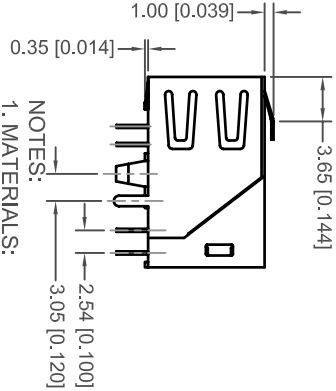
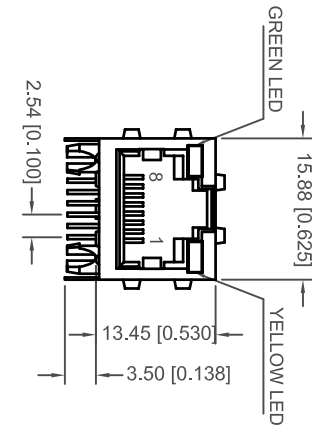
THIS IS A C.A.D. GENERATED DRAWING  
DO NOT MAKE MANUAL REVISIONS TO MASTER.

TOLERANCE UNLESS OTHERWISE SPECIFIED IN MM:	ANGLE	3°
0	± 0.50	
0.0	± 0.38	
0.00	± 0.25	
0.000	± 0.10	



RECOMMENDED  
PANEL CUTOUT DIMENSION

16.64 [0.655]  
13.86 [0.546]

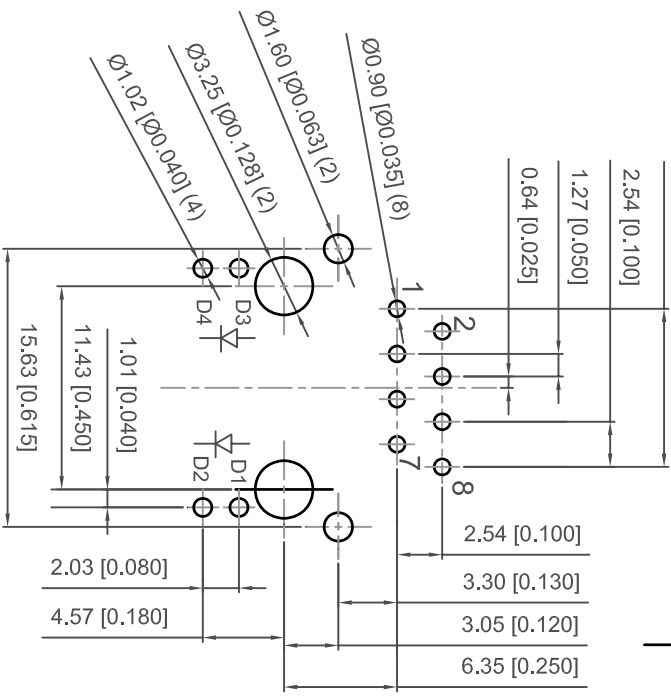


NOTES:

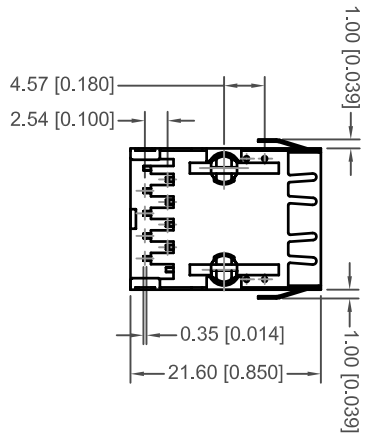
1. MATERIALS:  
HOUSING: HIGH TEMPERATURE NYLON, UL94 V-0, COLOR: BLACK  
CONTACTS: 0.35MM PHOSPHOR BRONZE PLATED WITH GOLD PLATING AND TIN IN SOLDER AREA

PART NO	GOLD PLATING THICKNESS
A64-112-231N411	GOLD FLASH PLATING
A64-113-231N411	15 MICRO INCHES OF GOLD
A64-114-231N411	30 MICRO INCHES OF GOLD

- SHIELD: 0.20MM COPPER ALLOY WITH NICKEL PLATING  
2. OPERATING TEMPERATURE: 0°C TO +70°C  
3. MATE WITH MODULAR PLUG CONFORMING TO FCC PART 68, SUBPART F.  
4. DIMENSION: MM [INCHES]



RECOMMENDED P.C.B. LAYOUT  
TOLERANCE: ±0.05[±0.002]



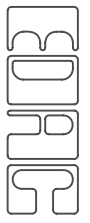
RJ45 MAGNETIC JACK WITH LED, 8P, 8C  
SHIELDED/10/100 Mbps FILTER

ACAD REFERENCE NO.: A64-112-231N411	DATE: JAN.24/2011
DRAWN: R.STA.MONICA	DATE:
CHECKED:	DATE:
PART NUMBER	

SEE NOTE	SHEET 1 OF 2
DRAWING NUMBER	ISSUE
A64-112-231N411	1



THIS SERIES FULLY CONFORMS TO THE EUROPEAN UNION DIRECTIVES 2002/95/EC AND 2002/96/EC FOR ROHS COMPLIANCY.



EDAC INC  
TORONTO, ONTARIO  
CANADA

THESE DRAWINGS AND SPECIFICATIONS ARE THE PROPERTY OF EDAC INC. AND SHALL NOT BE REPRODUCED OR COPIED OR USED AS THE BASIS FOR THE MANUFACTURE OR SALE OF APPARATUS WITHOUT WRITTEN PERMISSION.

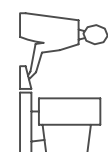
YOUR CONNECTION TO QUALITY & SERVICE

**ELECTRICAL CIRCUIT:**

TOLERANCE UNLESS OTHERWISE SPECIFIED IN MM:

0	± 0.50	ANGLE	3°
0.00	± 0.38		
0.00	± 0.25		
0.000	± 0.10		

THIS IS A C.A.D. GENERATED DRAWING  
DO NOT MAKE MANUAL REVISIONS TO MASTER.



ISSUE NUMBER  
ORIGINAL  
①

TEST NOTES:(25±5°C)

1.TR:(100KHZ,0.1V);  
PINS:(P1-P2)(J1-J2)=1:1±3%  
PINS:(P7-P8)(J3-J6)=1:1±3%

2.LX:(100KHZ,100mV,8mA, DC Bias)

PINS:(P1,P2),(P7,P8)=350uH MINIMUM

3.DCR:

PINS:(P1-P2),(J1-J2),(J3-J6)= 1.0 OHMS MAXIMUM  
PINS:(P7-P8)= 1.2 OHMS MAXIMUM

4.HIPOT:

PINS(P7,P6,P8)TO(J3,J6)=1500VAC FOR 2 SECONDS  
PINS(P1,P3,P2)TO(J1,J2)=1500VAC FOR 2 SECONDS

5.INSERTION LOSS:

-1.0dB MAXIMUM AT 1MHZ TO 100MHZ;

6.RETURN LOSS:

-20dB MINIMUM AT 1MHZ TO 30MHZ;

-15dB MINIMUM AT 30MHZ TO 60MHZ

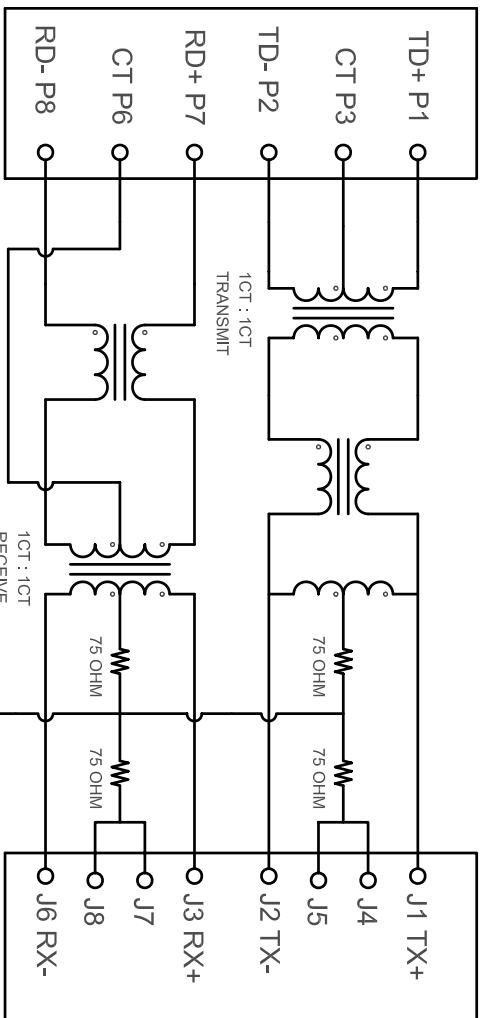
-10dB MINIMUM AT 60MHZ TO 80MHZ

7.CROSS TALK:

-30dB MINIMUM AT 1MHZ TO 100MHZ

8.COMMON TO COMMON MODE REJECTION:

-30dB MINIMUM AT 1MHZ TO 100MHZ



CONNECTOR SOLDER SIDE

RJ45 CONTACT SIDE

Color	Lens Color	Vf(V) @20mA		Iv(mcd) @10mA		Viewing angle
		Min	Max	Min	Typ	
Yellow	Yellow Diffused	1.7	2.8	3.0	6.0	116
Green	Green Diffused	1.7	2.8	3.5	6.0	116

**LED CIRCUIT:**



**RJ45 MAGNETIC JACK WITH LED, 8P, 8C  
SHIELDED/10/100 Mbps FILTER**

ACAD REFERENCE NO.: A64-112-231N411

DRAWN: R.STA.MONICA DATE: JAN.24/2011

CHECKED: DATE:

PART NUMBER

SEE NOTE

DRAWING NUMBER

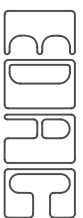
A64-112-231N411

ISSUE

1



THIS SERIES FULLY CONFORMS TO THE  
EUROPEAN UNION DIRECTIVES 2002/95/EC  
AND 2002/96/EC FOR ROHS COMPLIANCY.



EDAC INC  
TORONTO, ONTARIO  
CANADA

YOUR CONNECTION TO QUALITY & SERVICE

THESE DRAWINGS AND SPECIFICATIONS  
ARE THE PROPERTY OF EDAC INC. AND  
SHALL NOT BE REPRODUCED OR COPIED  
OR USED AS THE BASIS FOR THE  
MANUFACTURE OR SALE OF APPARATUS  
WITHOUT WRITTEN PERMISSION.