



Chipsmall Limited consists of a professional team with an average of over 10 year of expertise in the distribution of electronic components. Based in Hongkong, we have already established firm and mutual-benefit business relationships with customers from,Europe,America and south Asia,supplying obsolete and hard-to-find components to meet their specific needs.

With the principle of “Quality Parts,Customers Priority,Honest Operation,and Considerate Service”,our business mainly focus on the distribution of electronic components. Line cards we deal with include Microchip,ALPS,ROHM,Xilinx,Pulse,ON,Everlight and Freescale. Main products comprise IC,Modules,Potentiometer,IC Socket,Relay,Connector.Our parts cover such applications as commercial,industrial, and automotives areas.

We are looking forward to setting up business relationship with you and hope to provide you with the best service and solution. Let us make a better world for our industry!



Contact us

Tel: +86-755-8981 8866 Fax: +86-755-8427 6832

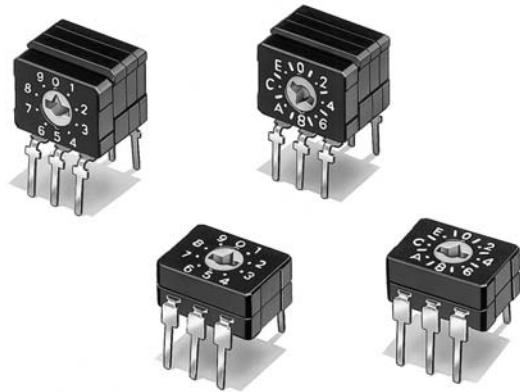
Email & Skype: info@chipsmall.com Web: www.chipsmall.com

Address: A1208, Overseas Decoration Building, #122 Zhenhua RD., Futian, Shenzhen, China



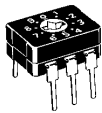
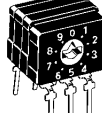
Internally Sealed DIL-IC Type Rotary DIP Switch

- A precise rotary cam and contact driving mechanism achieve compactness for high-density mounting.
- Top/Side-actuated models available.
- Insert-molded terminals and an O-ring sealed rotor combine to form a sealed structure equivalent to IP64 (IEC-60529) to prevent flux penetration and provides high contact reliability even in dusty locations.
- Offset between terminal pins and side of case allows simple circuit inspection.



RoHS Compliant

List of Models

Type (actuator color)		Top actuated (Orange)		Side actuated (Orange)	
No. of switching positions	Output code	Quantity per tube		Quantity per box	
			A6C-10R (N)		A6CV-10R
10	BCD Decimal	55	A6C-16R (N)	100	A6CV-16R
16	BCD Hexadecimal				

Note: Order in multiples of the package quantity.

Ratings/Characteristics

Rating (resistive load)	0.1 A at 30 VDC 10 μ A (minimum current) at 3.5 VDC	
Ambient operating temperature	-20 to 70°C 60%RH max. (with no icing or condensation)	
Ambient operating humidity	35% to 95%RH (at 5 to 35°C)	
Insulation resistance	100 M Ω min. (at 250 VDC with insulation tester)	
Contact resistance (initial value)	200 m Ω max.	
Dielectric strength	Between terminals	250 VAC for 1 min
Vibration resistance	Malfunction	10 to 55 Hz, 1.5-mm double amplitude
Shock resistance	Malfunction	300 m/s ² min.
Durability	Electrical	2,000 steps min.
Washing	Possible	
Degree of protection	Internally sealed (IEC IP64)	
Operating torque	0.98 \times 10 ⁻² N·m {1 gf·m} max.	
Weight	Top actuated type: approx. 0.4 g Side actuated type: approx. 0.8 g	

Output Codes

10-position Models

Code Position	BCD Decimal code			
	1	2	4	8
0				
1	●			
2		●		
3	●	●		
4			●	
5	●		●	
6		●	●	
7	●	●	●	
8				●
9	●			●

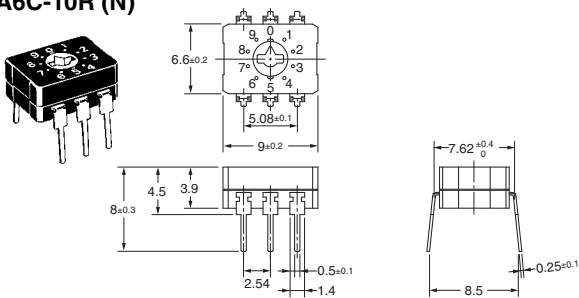
16-position Models

Code Position	BCD Hexadecimal code			
	1	2	4	8
0				
1	●			
2		●		
3	●	●		
4			●	
5	●		●	
6		●	●	
7	●	●	●	
8				●
9	●			●
A		●		●
B	●	●		●
C			●	●
D	●		●	●
E		●	●	●
F	●	●	●	●

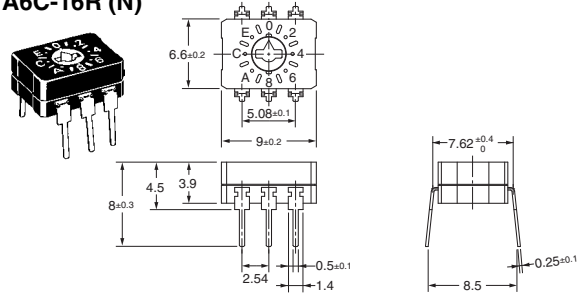
Note: "●" indicates that the internal switch is ON.

Dimensions (Unit: mm)

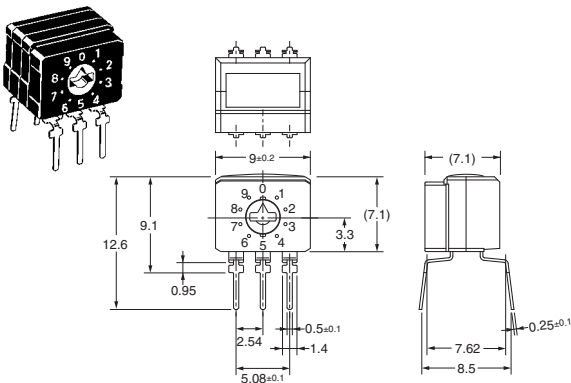
**● Top Actuated, 10 Positions
A6C-10R (N)**



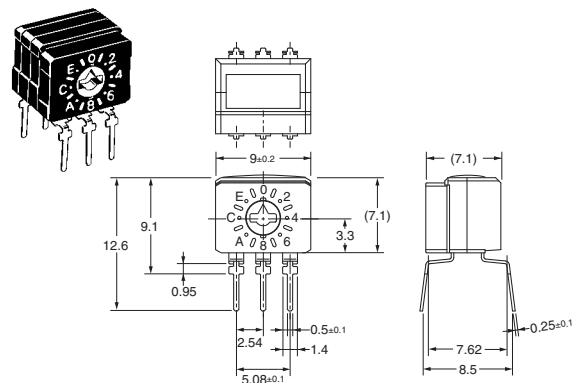
**● Top Actuated, 16 Positions
A6C-16R (N)**



**● Side Actuated, 10 Positions
A6CV-10R**



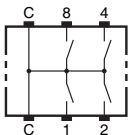
**● Side Actuated, 16 Positions
A6CV-16R**



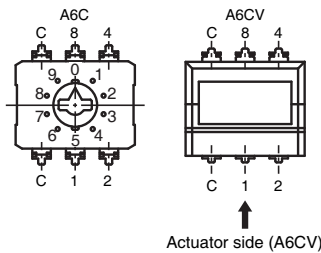
Note: Unless otherwise specified, a tolerance of ±0.4 mm applies to all dimensions.

Internal Connections/Terminal arrangement/PCB Dimensions (Unit: mm)

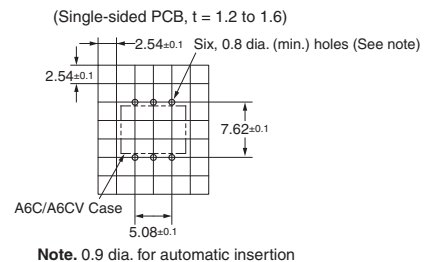
Contact Form (Top View)



Terminal arrangement



Mounting holes (top view)



Precautions

Be sure to read the Safety precautions common to all DIP Switches for correct use.

- Application examples provided in this document are for reference only. In actual applications, confirm equipment functions and safety before using the product.
- Consult your OMRON representative before using the product under conditions which are not described in the manual or applying the product to nuclear control systems, railroad systems, aviation systems, vehicles, combustion systems, medical equipment, amusement machines, safety equipment, and other systems or equipment that may have a serious influence on lives and property if used improperly. Make sure that the ratings and performance characteristics of the product provide a margin of safety for the system or equipment, and be sure to provide the system or equipment with double safety mechanisms.

Note: Do not use this document to operate the Unit.

OMRON Corporation
Electronic and Mechanical Components Company

Contact: www.omron.com/ecb

Cat. No. A053-E1-08
1014(0207)(O)