



Chipsmall Limited consists of a professional team with an average of over 10 year of expertise in the distribution of electronic components. Based in Hongkong, we have already established firm and mutual-benefit business relationships with customers from,Europe,America and south Asia,supplying obsolete and hard-to-find components to meet their specific needs.

With the principle of “Quality Parts,Customers Priority,Honest Operation,and Considerate Service”,our business mainly focus on the distribution of electronic components. Line cards we deal with include Microchip,ALPS,ROHM,Xilinx,Pulse,ON,Everlight and Freescale. Main products comprise IC,Modules,Potentiometer,IC Socket,Relay,Connector.Our parts cover such applications as commercial,industrial, and automotives areas.

We are looking forward to setting up business relationship with you and hope to provide you with the best service and solution. Let us make a better world for our industry!



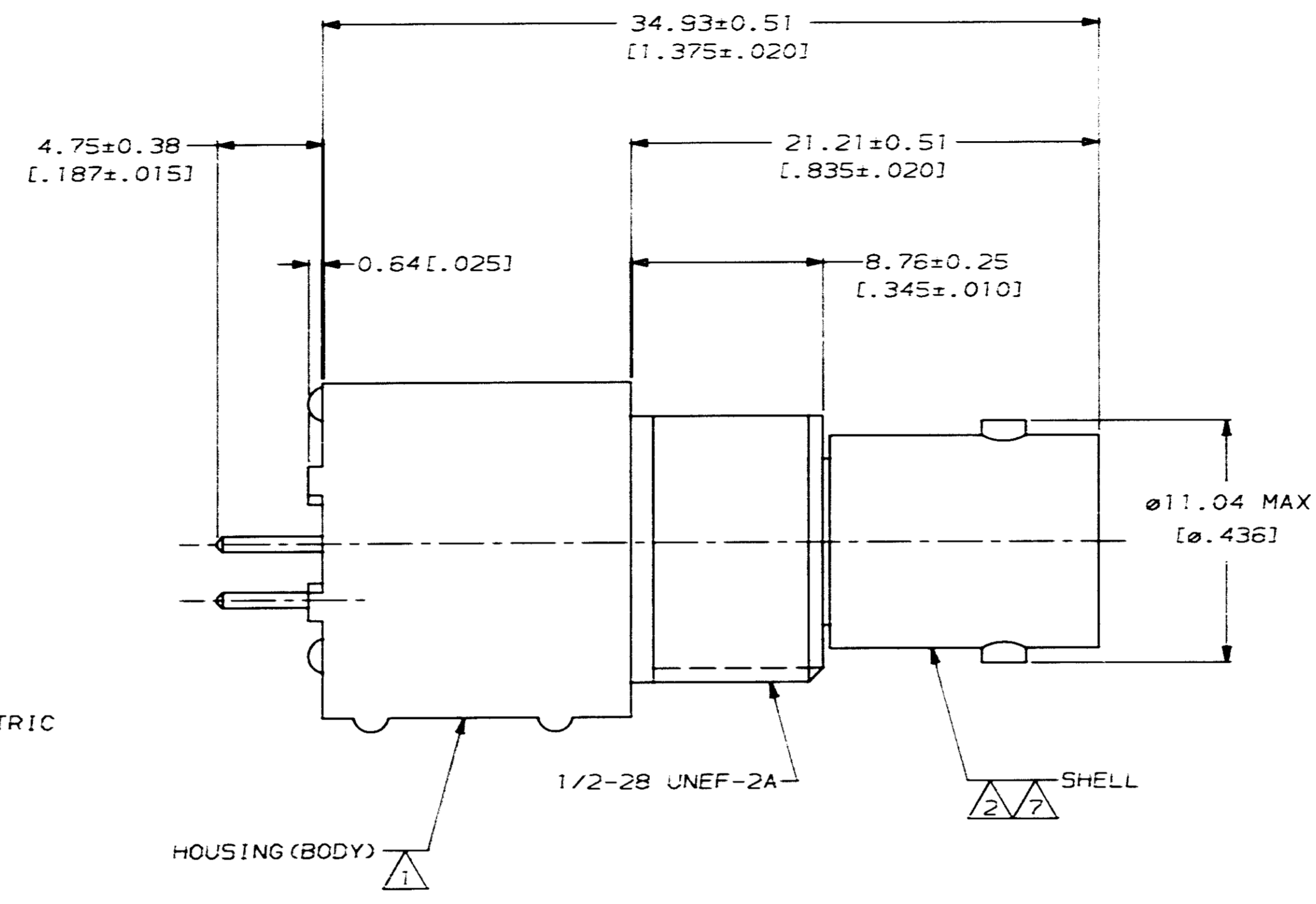
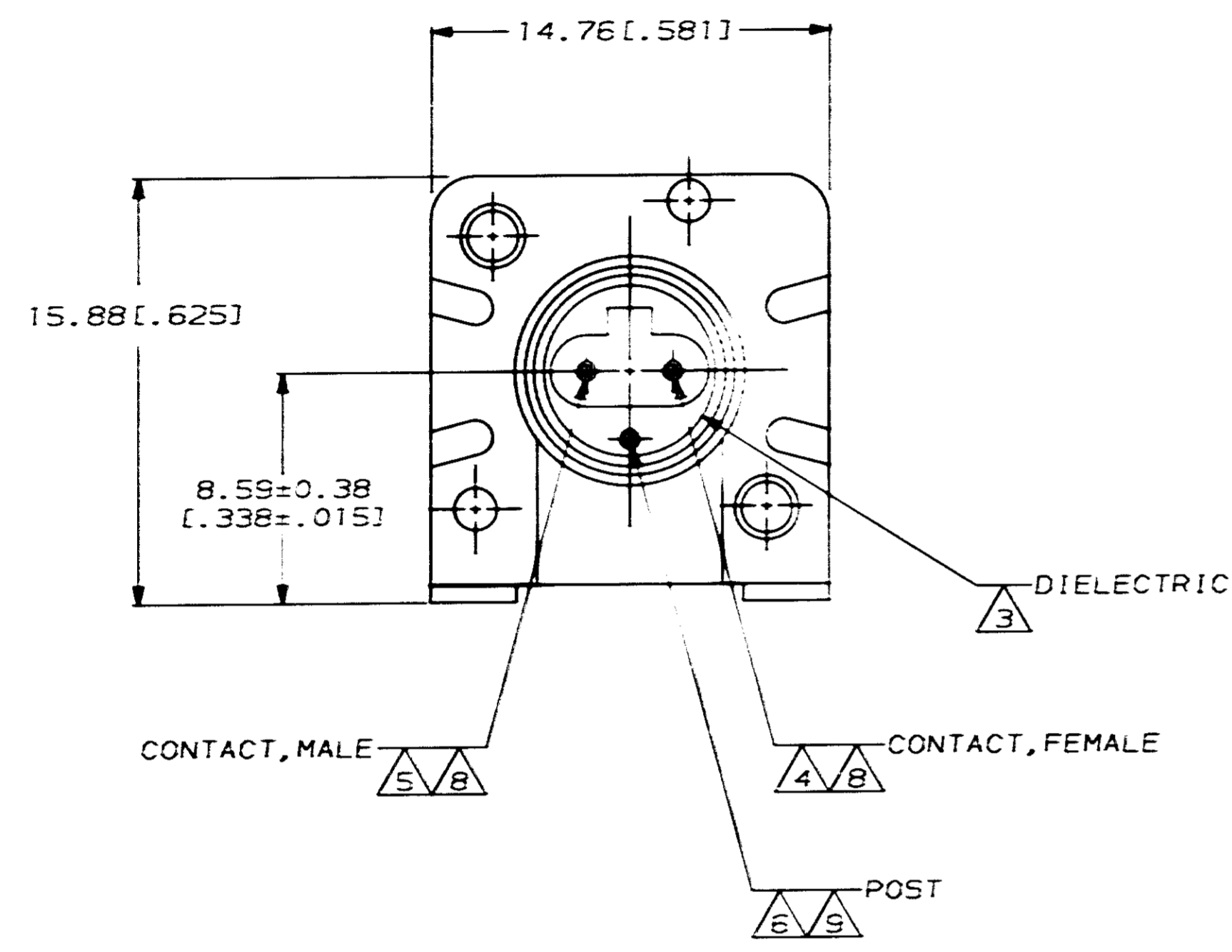
Contact us

Tel: +86-755-8981 8866 Fax: +86-755-8427 6832

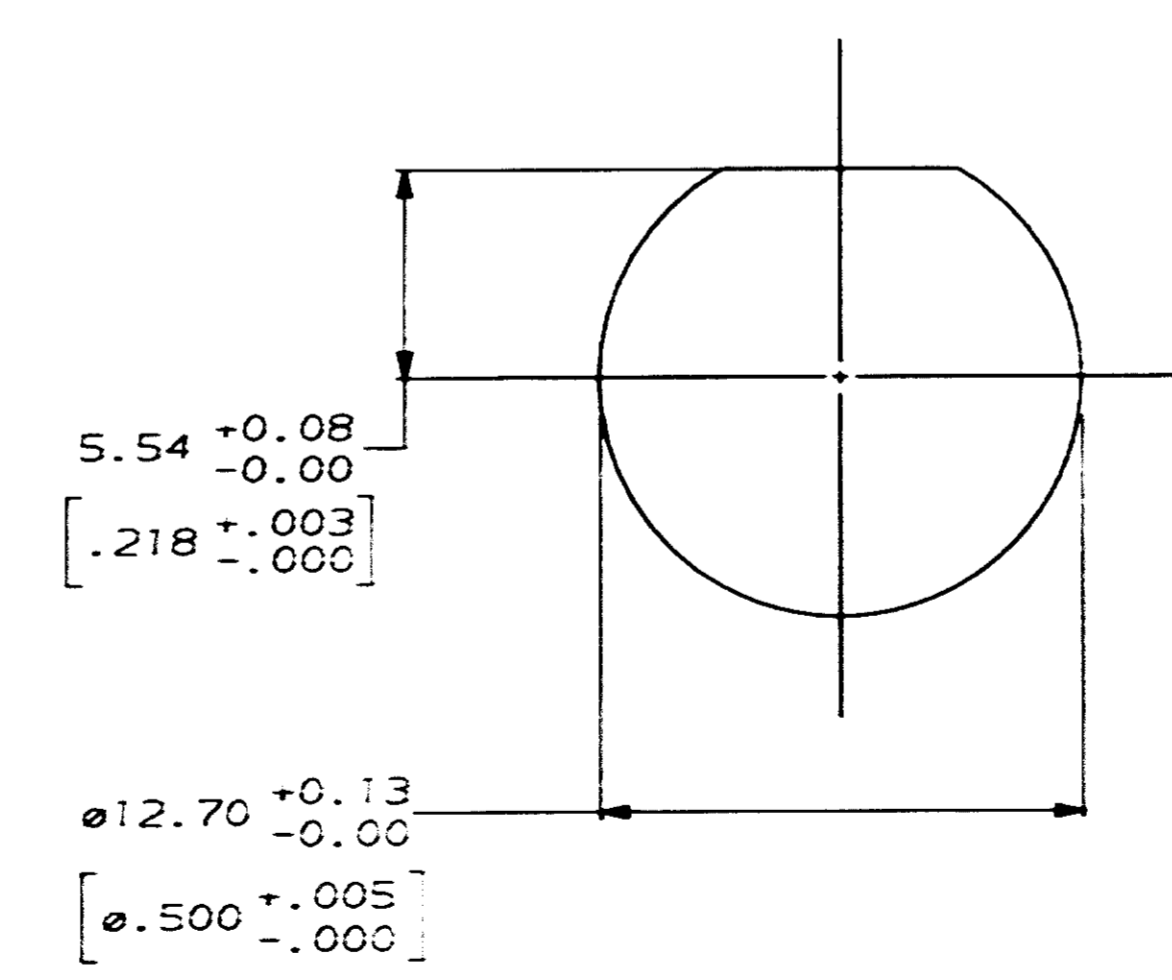
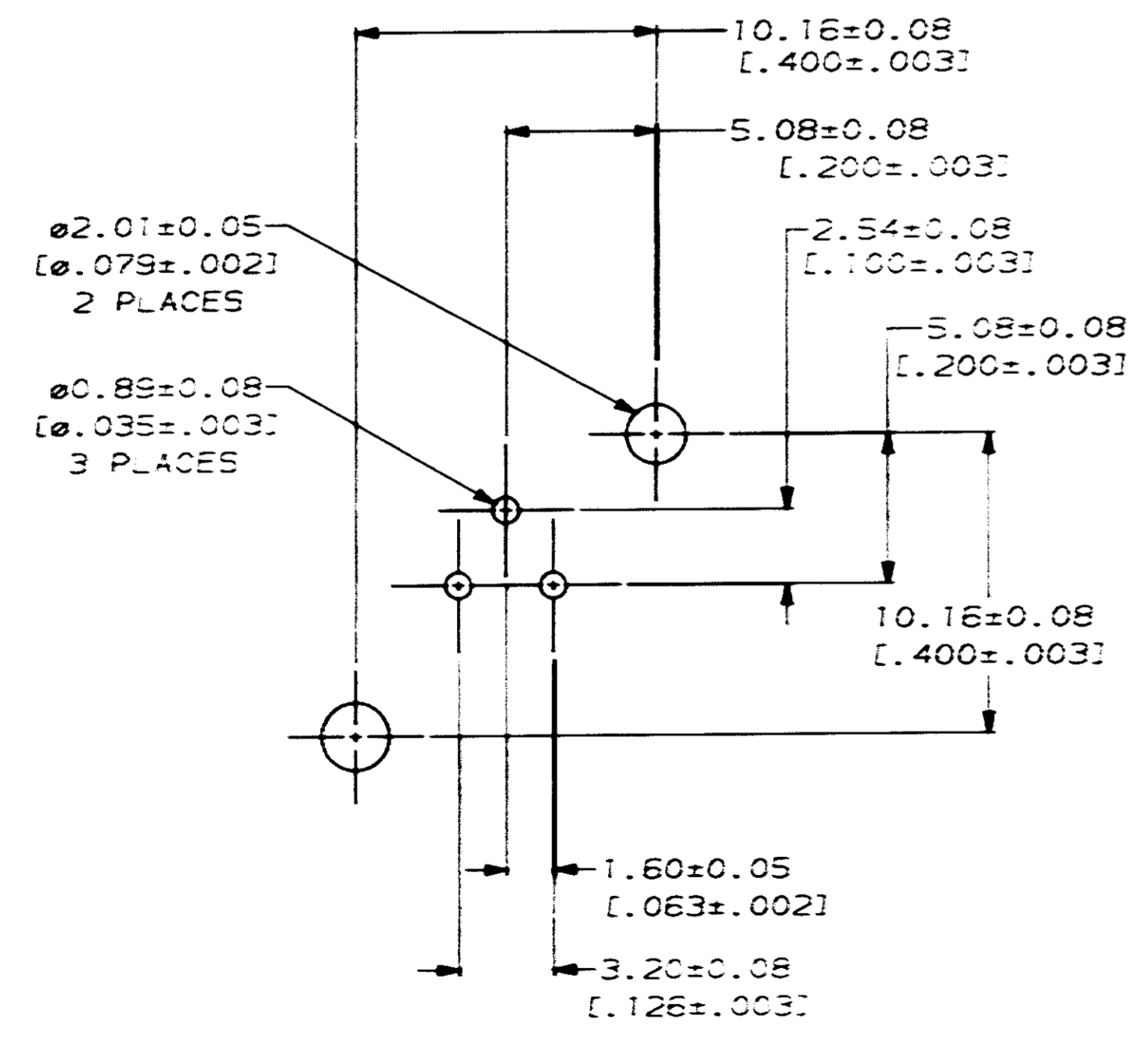
Email & Skype: info@chipsmall.com Web: www.chipsmall.com

Address: A1208, Overseas Decoration Building, #122 Zhenhua RD., Futian, Shenzhen, China





- 1 POLYESTER, PBT, 15% GLASS FIBER REINFORCED, NATURAL, PER MIL-M-24519.
- 2 ZINC PER QQ-Z-363.
- 3 POLYMETHYLPENTENE, GENERAL PURPOSE.
- 4 PHOSPHOR BRONZE PER QQ-B-750.
- 5 BRASS PER QQ-B-626.
- 6 BRASS PER ASTM-B-453.
- 7 NICKEL PL PER QQ-N-290, 3.81µm [0.000150] MINIMUM THICK
- 8 GOLD PL PER MIL-G-45204, 0.76µm [0.000030] MINIMUM THICK
- 9 TIN-LEAD PL PER ASTM-B-545 & MIL-P-81728, 3.81µm [0.000150] MINIMUM THICK



PCB CONFIGURATION

RECOMMENDED PANEL CUTOUT

DO NOT SCALE PRINT. UNLESS SPECIFIED DIMENSIONS IN INCHES! TOLERANCES ON: 2 PL DEC = ± 0.001008 3 PL DEC = ± 0.001008 ANGLES = -		DR 10/22/90 R.E.P.™	228697-2 PART NO	
CHK 3-8-91 A 3484V	APPD 3-8-91 1 3484V	AMP Incorporated Morgantown, PA 17105-3608		
MATERIAL 1 2 3 4 5	APPD 3-8-91 1 3484V	NAME JACK, VERTICAL, PCB, SERIES TWIN BNC		
FINISH 6 7 8 9	PRODUCT SPEC 108-12078	SIZE D	CAGE CODE 00779	
	APPLICATION SPEC -	DRAWING NO 228697	SHEET 1 OF 1	
	WEIGHT -	SCALE 5:1		