



Chipsmall Limited consists of a professional team with an average of over 10 year of expertise in the distribution of electronic components. Based in Hongkong, we have already established firm and mutual-benefit business relationships with customers from,Europe,America and south Asia,supplying obsolete and hard-to-find components to meet their specific needs.

With the principle of “Quality Parts,Customers Priority,Honest Operation,and Considerate Service”,our business mainly focus on the distribution of electronic components. Line cards we deal with include Microchip,ALPS,ROHM,Xilinx,Pulse,ON,Everlight and Freescale. Main products comprise IC,Modules,Potentiometer,IC Socket,Relay,Connector.Our parts cover such applications as commercial,industrial, and automotives areas.

We are looking forward to setting up business relationship with you and hope to provide you with the best service and solution. Let us make a better world for our industry!



## Contact us

Tel: +86-755-8981 8866 Fax: +86-755-8427 6832

Email & Skype: info@chipsmall.com Web: www.chipsmall.com

Address: A1208, Overseas Decoration Building, #122 Zhenhua RD., Futian, Shenzhen, China



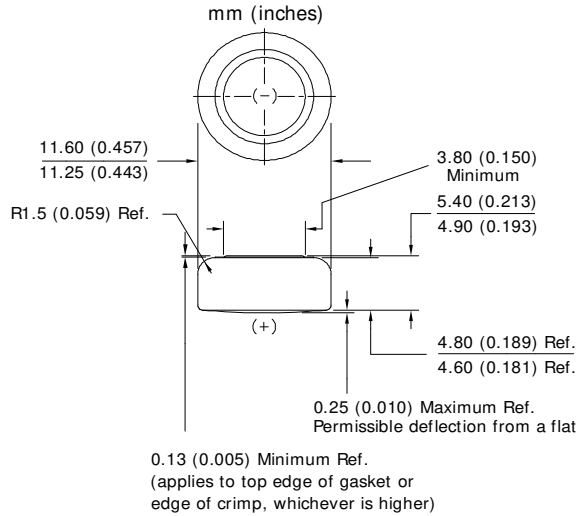
ENERGIZER A76

**ZERO**MERCURY®

**MINIATURE ALKALINE**



**Industry Standard Dimensions**



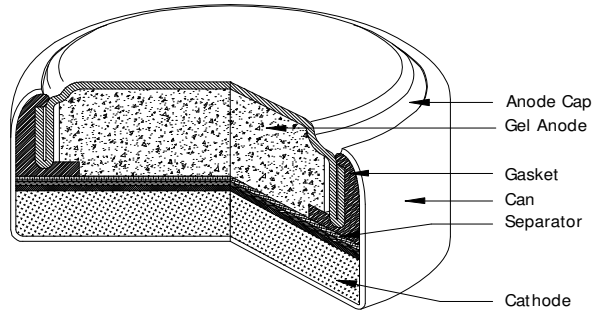
DESIGNED FOR ELECTRONIC APPLICATIONS WHICH MAY REQUIRE HIGH RATE PULSES

**Specifications**

- Chemical System:** Manganese Dioxide (MnO<sub>2</sub>)
- Designation:** ANSI/NEDA 1166A, IEC-LR44
- Nominal Voltage:** 1.5 Volts
- Typical Capacity:** 118 mAh\* (to 0.9 volts)
- Capacity Test:** 6.8K ohm continuous drain at 21°C (70°F)
- Typical Weight:** 2.04 grams (0.08 oz.)
- Typical Volume:** 0.54 cubic centimeters (0.03 cubic inch)
- Impedance (40 Hz):** 3 to 9 ohms
- Max Bulge:** This battery will bulge as it is discharged, but will not exceed the maximum height shown on the battery drawing.

\* Varies according to the applied load, temperature, and cutoff voltage.

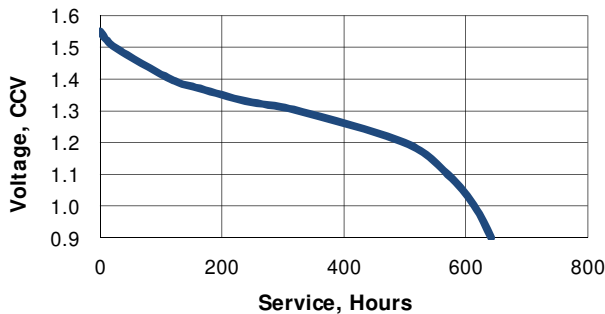
**Cross Section**



**Typical Discharge Characteristics**

Typical Performance at 21°C (70°F)

**Load:** 6.8K ohms - Continuous  
**Typical Drain @ 1.25V:** 0.187 mA  
**Hours to 0.9V:** 642



**Depth of Discharge**

Typical Performance at 21°C (70°F)

**Load:** 6.8K ohms - Continuous  
**Typical Drain @ 1.25V:** 0.18 mA  
**Hours to 0.9V:** 642

(as percent of capacity)

Temperature	0%	40%	80%
21°C (70°F)	1.55V	1.33V	1.20V

**Important Notice**

This datasheet contains typical information specific to products manufactured at the time of its publication.  
© Energizer Holdings, Inc. - Contents herein do not constitute a warranty.