



Chipsmall Limited consists of a professional team with an average of over 10 year of expertise in the distribution of electronic components. Based in Hongkong, we have already established firm and mutual-benefit business relationships with customers from,Europe,America and south Asia,supplying obsolete and hard-to-find components to meet their specific needs.

With the principle of “Quality Parts,Customers Priority,Honest Operation,and Considerate Service”,our business mainly focus on the distribution of electronic components. Line cards we deal with include Microchip,ALPS,ROHM,Xilinx,Pulse,ON,Everlight and Freescale. Main products comprise IC,Modules,Potentiometer,IC Socket,Relay,Connector.Our parts cover such applications as commercial,industrial, and automotives areas.

We are looking forward to setting up business relationship with you and hope to provide you with the best service and solution. Let us make a better world for our industry!



Contact us

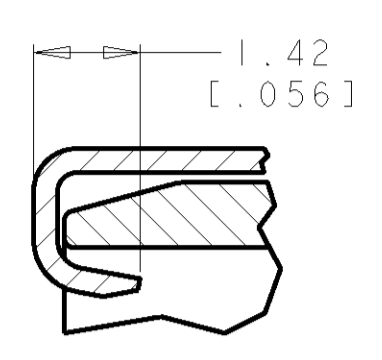
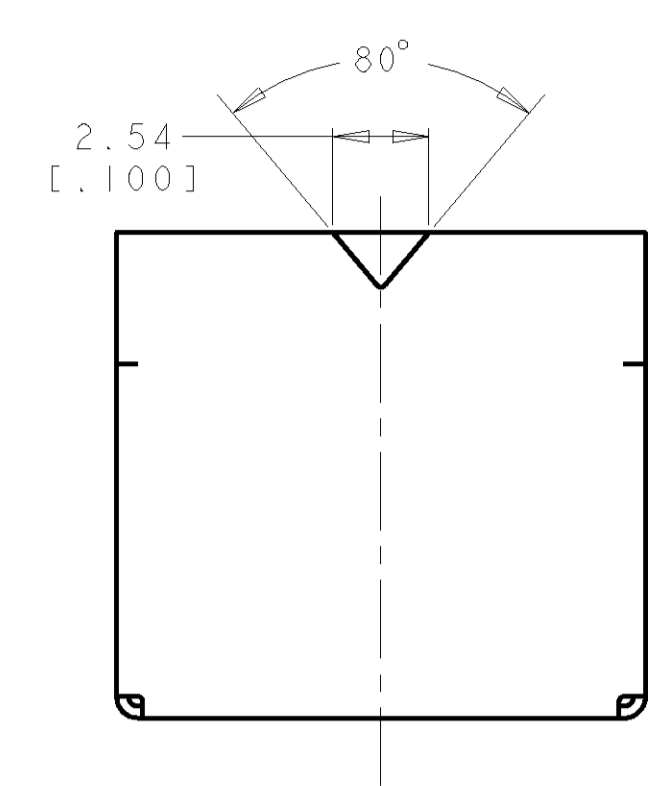
Tel: +86-755-8981 8866 Fax: +86-755-8427 6832

Email & Skype: info@chipsmall.com Web: www.chipsmall.com

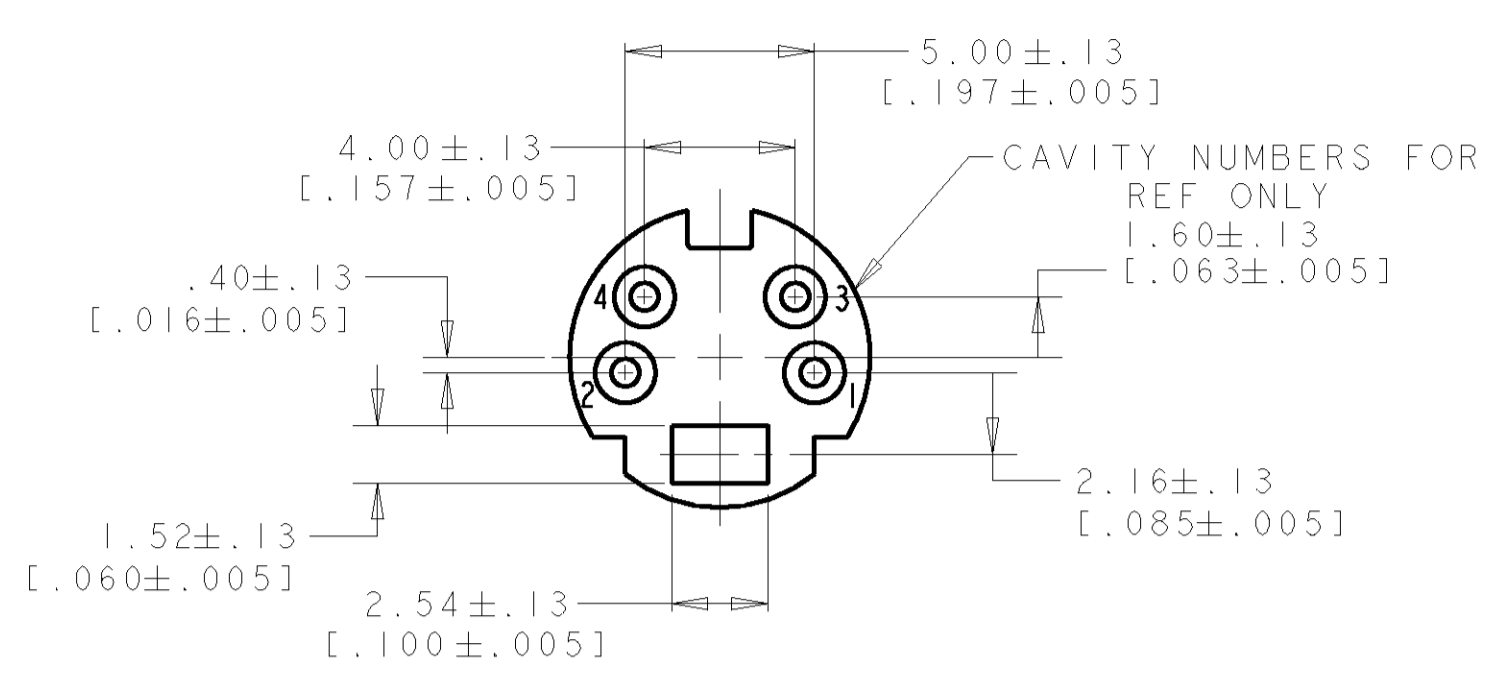
Address: A1208, Overseas Decoration Building, #122 Zhenhua RD., Futian, Shenzhen, China



LOC	DIST	REVISIONS			
F	LTR	DESCRIPTION	DATE	ENR	APPR
P		REVISED PER ECO-11-005139	19MAR11	RK	HMR

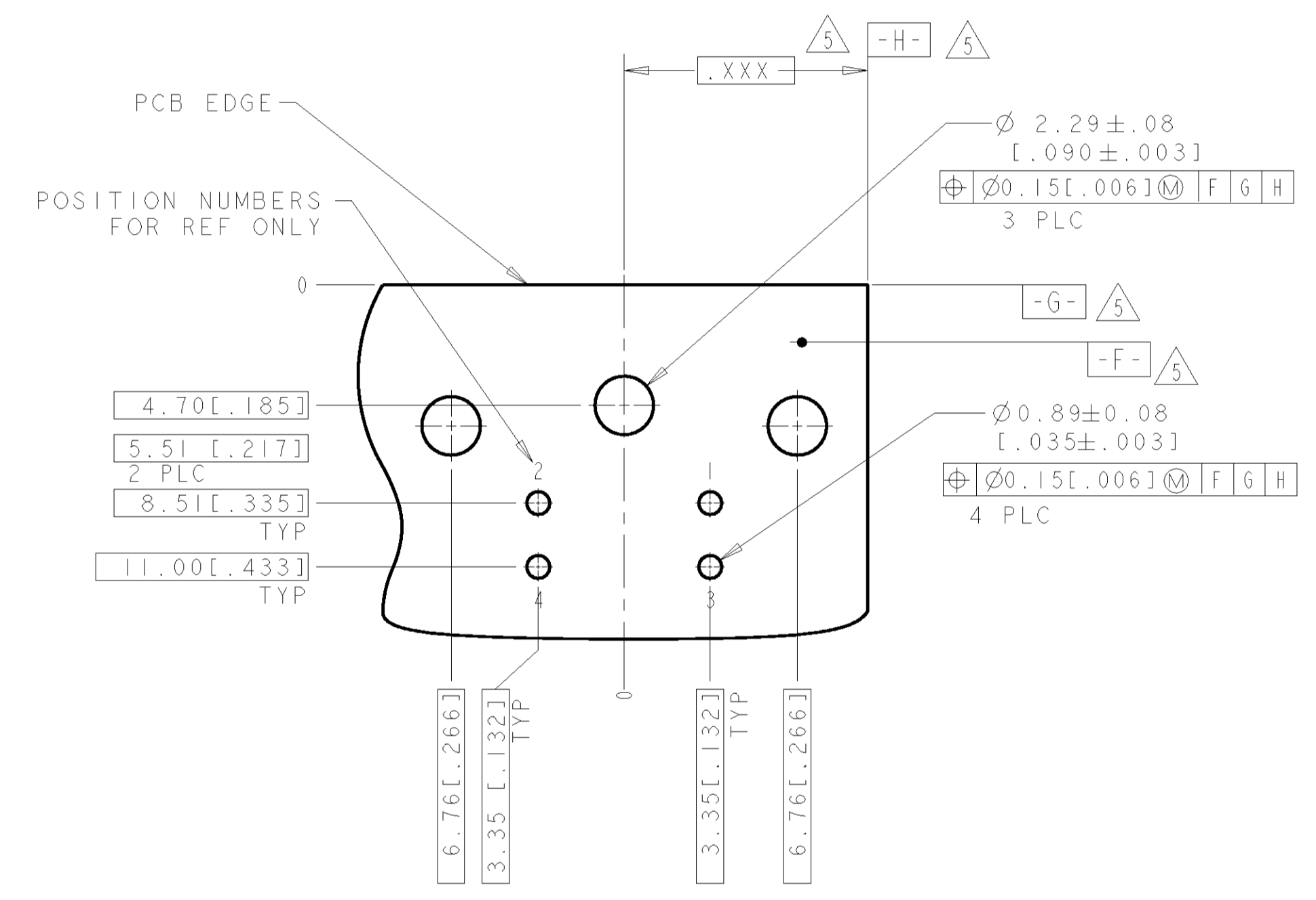
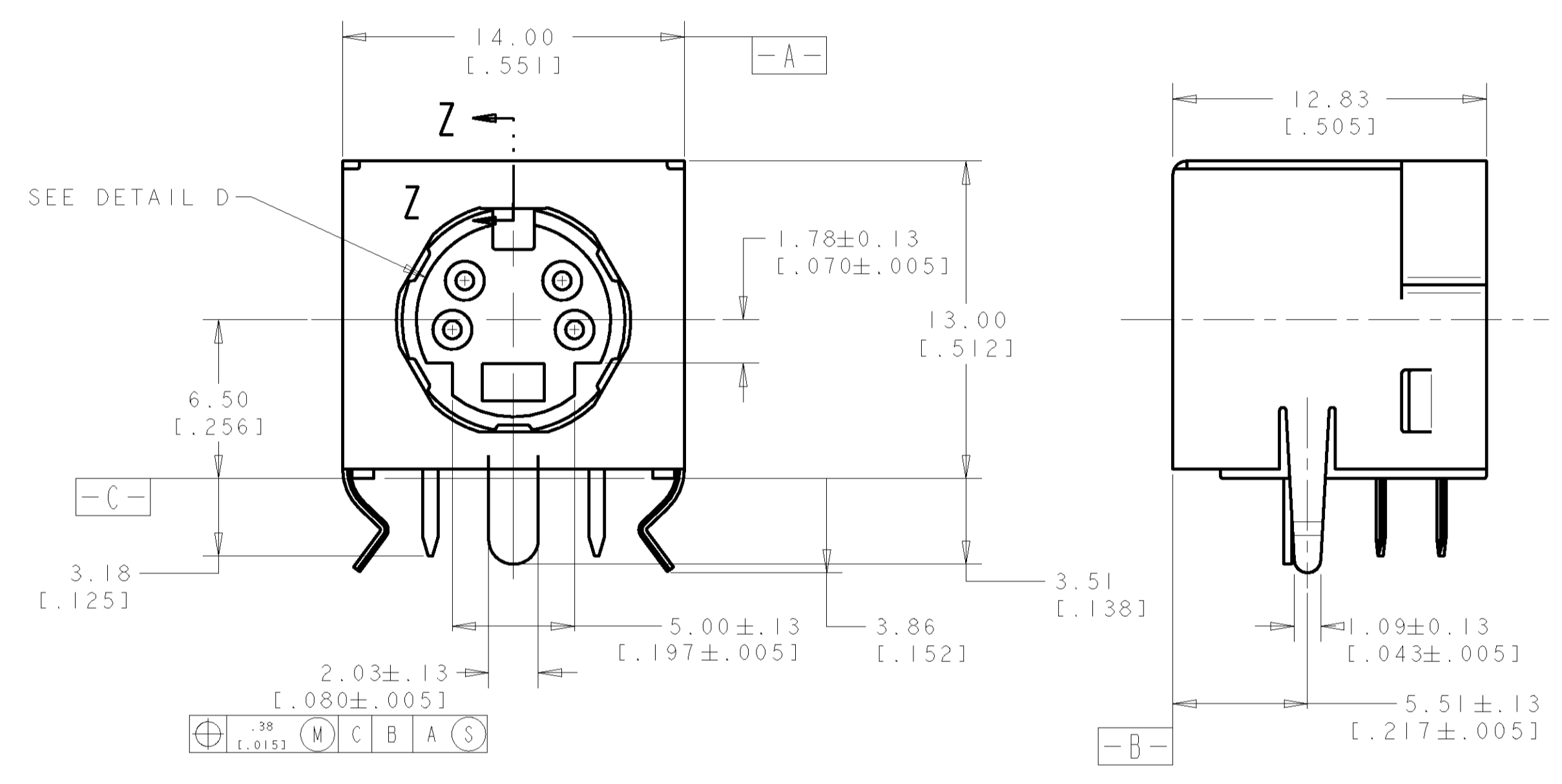


SECTION Z-Z
SCALE 10:1

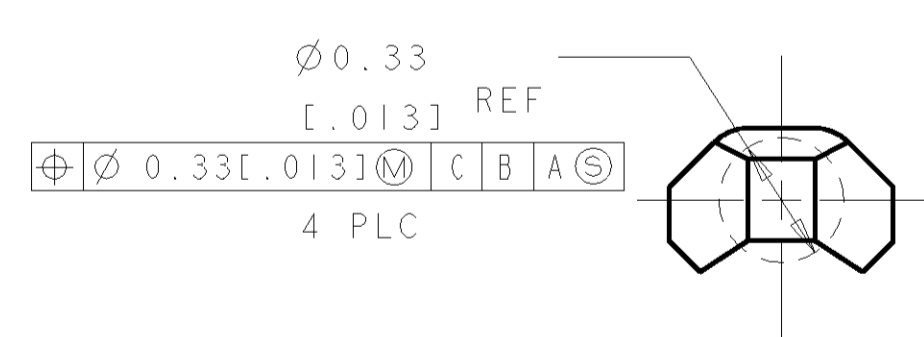
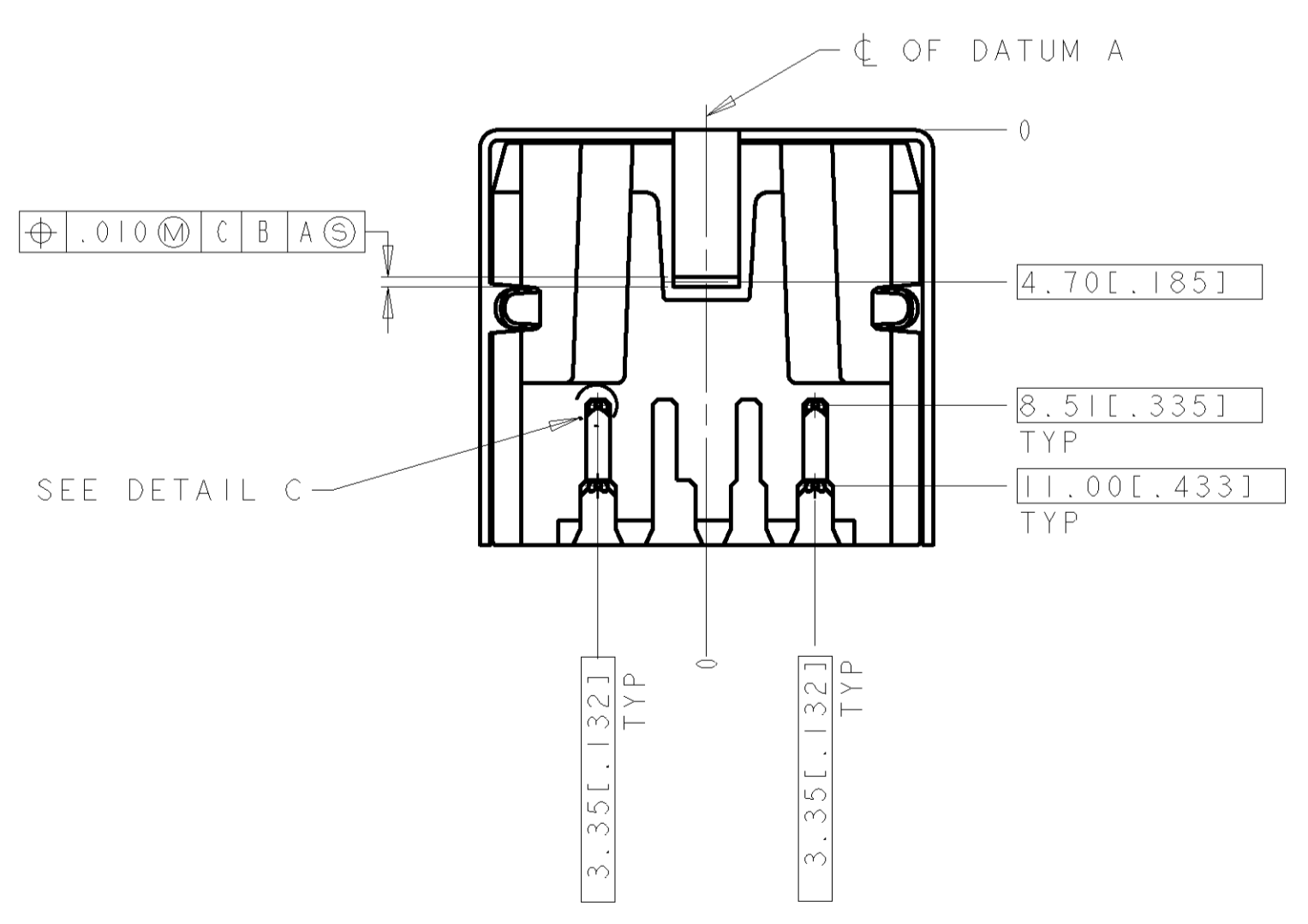


DETAIL D
4 PIN FACE

- △ RECEPTACLE CONTACTS: COPPER ALLOY.
RECEPTACLE SHIELD: COPPER ALLOY.
HOUSING: THERMOPLASTIC, COLOR; SEE TABLE, UL 94V-0 RATED.
- △ PLATING:
RECEPTACLE CONTACTS - GOLD PLATED .00076 MIN [0.00030 MIN] THICK ON MATING END, MATTE-TIN PLATED .0030 MIN [0.00120 MIN] THICK ON SOLDER TAIL ALL OVER .0013 MIN [0.00050 MIN] THICK NICKEL.
- △ PLATING:
SHIELD: PRE-TIN PLATED
- 4. RECEPTACLE ASSEMBLY MATES WITH 4 PIN 9.00±.10 [0.354±.004] DIAMETER PLUG.
- △ DATUMS AND BASIC DIMENSION SUPPLIED BY CUSTOMER.



4 PIN PCB LAYOUT
BOTTOM VIEW



DETAIL C
SCALE 50:1

BLACK	5749181-1
HOUSING COLOR	PART NO

DIMENSIONS: mm [INCHES]		TOLERANCES UNLESS OTHERWISE SPECIFIED:		DW: WYLEE 31DEC2004 CHK: SF LEONG APPR: SF LEONG	
0 PLC	±	0 PLC	±	NAME	RECEPTACLE ASSY W/ HOLD DOWN, 4 POS
1 PLC	±	1 PLC	±	PRODUCT SPEC	108-1225
2 PLC	±	2 PLC	±	APPLICATION SPEC	114-40031
3 PLC	±0.38 [0.015]	3 PLC	±	SIZE	A1
4 PLC	±	4 PLC	±	CAGE CODE	00779
5 PLC	±	5 PLC	±	DRAWING NO	C=5749181
6 PLC	±	6 PLC	±	WEIGHT	
7 PLC	±	7 PLC	±	CUSTOMER DRAWING	
8 PLC	±	8 PLC	±	SCALE	5:1
9 PLC	±	9 PLC	±	SHEET	1 OF 1
10 PLC	±	10 PLC	±	REV	P