



Chipsmall Limited consists of a professional team with an average of over 10 year of expertise in the distribution of electronic components. Based in Hongkong, we have already established firm and mutual-benefit business relationships with customers from,Europe,America and south Asia,supplying obsolete and hard-to-find components to meet their specific needs.

With the principle of "Quality Parts,Customers Priority,Honest Operation,and Considerate Service",our business mainly focus on the distribution of electronic components. Line cards we deal with include Microchip,ALPS,ROHM,Xilinx,Pulse,ON,Everlight and Freescale. Main products comprise IC,Modules,Potentiometer,IC Socket,Relay,Connector.Our parts cover such applications as commercial,industrial, and automotives areas.

We are looking forward to setting up business relationship with you and hope to provide you with the best service and solution. Let us make a better world for our industry!



## Contact us

Tel: +86-755-8981 8866 Fax: +86-755-8427 6832

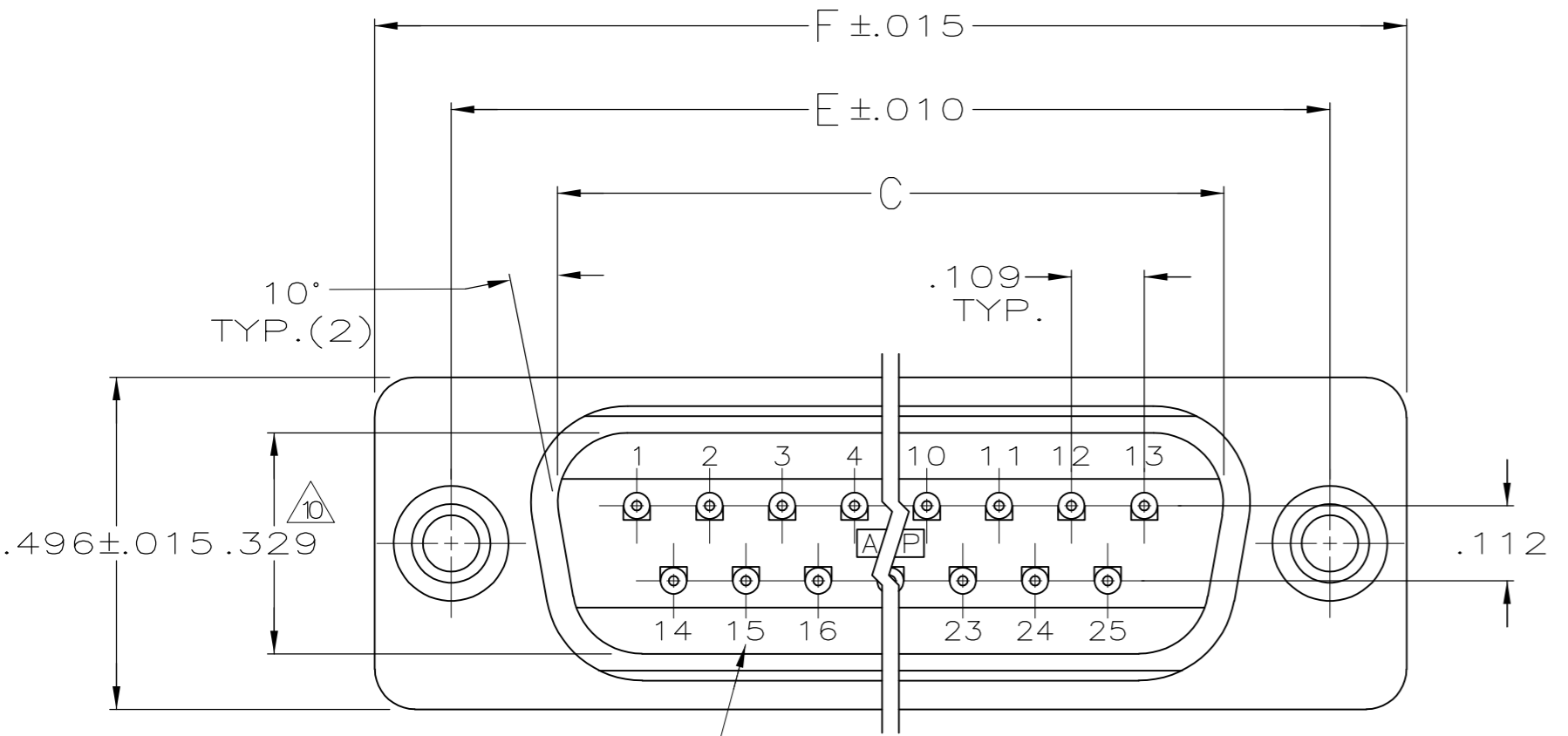
Email & Skype: info@chipsmall.com Web: www.chipsmall.com

Address: A1208, Overseas Decoration Building, #122 Zhenhua RD., Futian, Shenzhen, China

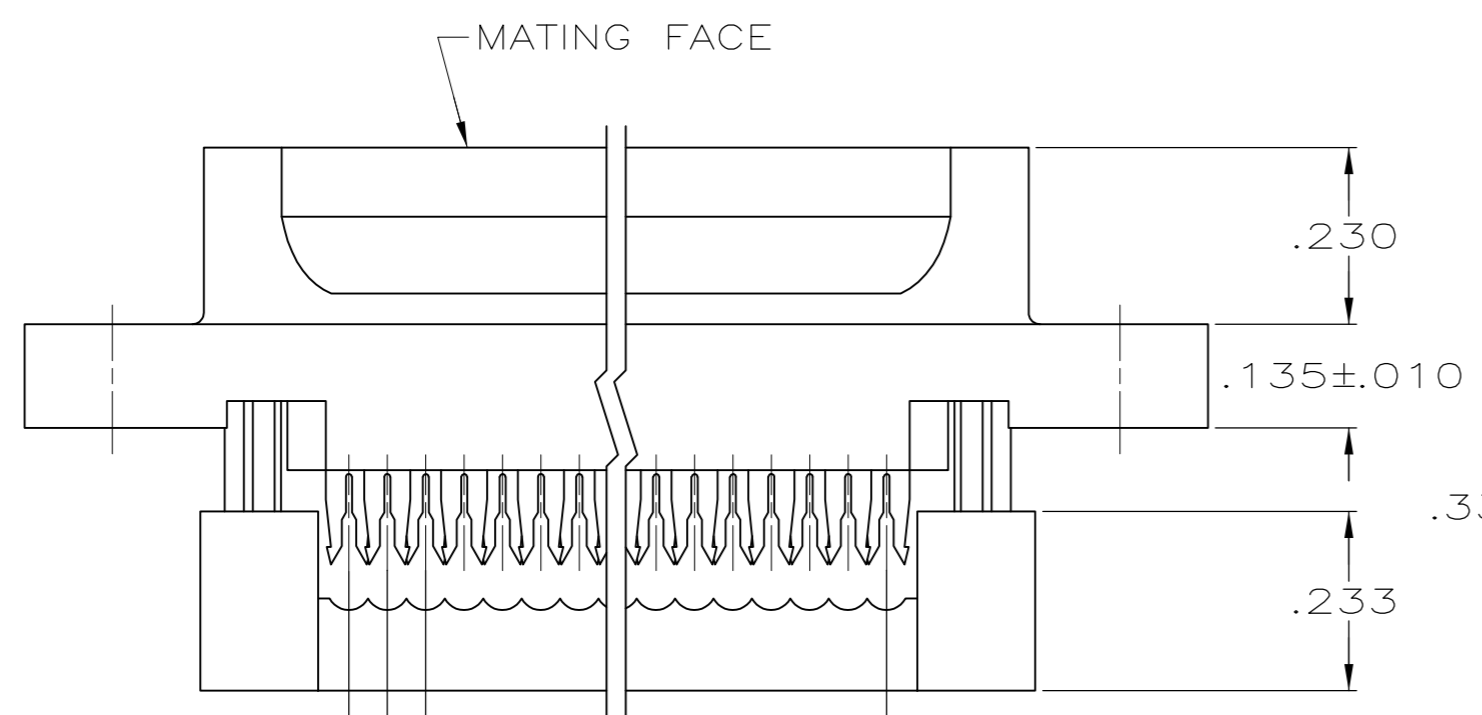


THIS DRAWING IS UNPUBLISHED. RELEASED FOR PUBLICATION  
 © COPYRIGHT - By - ALL RIGHTS RESERVED.

LOC		DIST		REVISIONS			
P	LTR	DESCRIPTION		DATE	DWN	APVD	
GP	00	D1	REVISED PER ECO-11-004835		11MAR11	RK	HMR

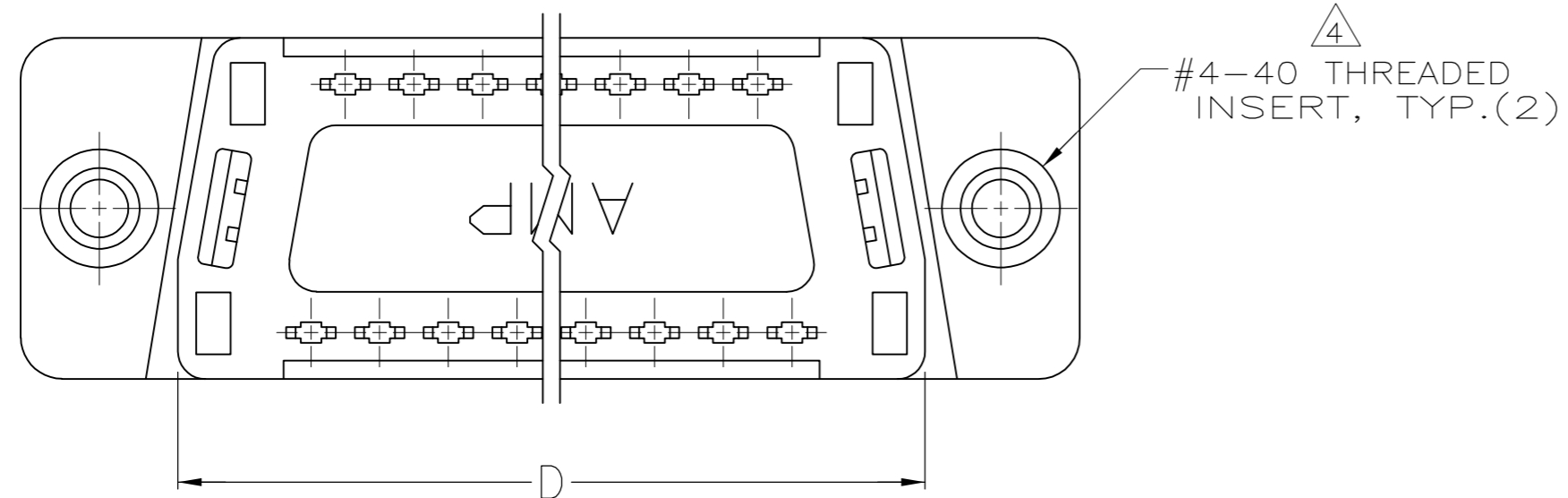
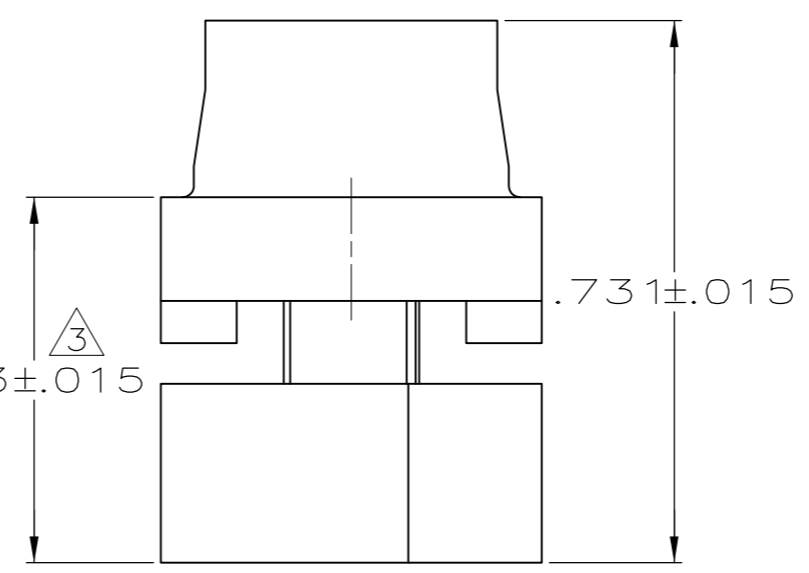


RAISED CAVITY IDENTIFICATION  
(25 POSITION SHOWN)



.050 REF.  
 .100 REF.  
 A SPACES AT .050 = B

- CONNECTORS COMPLY WITH AMP SPEC. 108-40012 AND MATE WITH ANY SAME NUMBER POSITION PLUG CONNECTOR IN AMPLIMITE SERIES.
- CONNECTOR DESIGNED FOR 28 AND 26 AWG STRANDED AND SOLID CONDUCTOR RIBBON CABLE ON .050  $\phi$ .
- $\triangle 3$  DIMENSION APPLIES TO TERMINATED CONNECTOR.
- $\triangle 4$  INSERTS WILL WITHSTAND 6 IN. LBS. TORQUE AND 50 LBS. PULL OUT FORCE FROM MATING FACE SIDE.
- $\triangle 5$  MOLDED PARTS: FLAME RETARDANT 94V-0 RATED THERMOPLASTIC; COLOR: BLACK.
- $\triangle 6$  PHOS. BRONZE PER QQ-B-750.
- $\triangle 7$  BRASS PER MIL-C-50.
- $\triangle 8$  GOLD PLATING PER MIL-G-45204, TIN PLATING PER MIL-T-10727, NICKEL PLATING PER QQ-N-290.
- $\triangle 9$  CONTACTS:  
 .000030 GOLD ON MATING END, .000100-.000200 MATTE TIN ON TERMINATION END, ALL OVER .000050 NICKEL ON ENTIRE CONTACT.  
 OR  
 GOLD FLASH OVER PALLADIUM-NICKEL ON MATING END, .000030 MIN TOTAL, .000100-.000200 MATTE TIN ON TERMINATION END, ALL OVER .000050 NICKEL ON ENTIRE CONTACT.
- $\triangle 10$  DIMENSION APPLIES TO BASE OF SHROUD.



$\triangle 4$  #4-40 THREADED INSERT, TYP.(2)

1.216	.984	.759	.666	.400	8	9	1658611-4
1.541	1.312	1.067	.994	.700	14	15	1658611-3
2.090	1.852	1.623	1.534	1.200	24	25	1658611-2
OBSOLETE	2.732	2.500	2.275	2.183	36	37	1658611-1
	F	E	D	C	B	A	NO.OF POS. PART NUMBER

THIS DRAWING IS A CONTROLLED DOCUMENT.

DIMENSIONS: INCHES	TOLERANCES UNLESS OTHERWISE SPECIFIED:	DWN B. MCMASTER 31MAR04	
	0 PLC ± -	CHK C. ROHDE 31MAR04	
	1 PLC ± -	APVD M. WALMSLEY 31MAR04	
	2 PLC ± -	NAME	
	3 PLC ± .005	PRODUCT SPEC	PLUG ASSEMBLY, THREADED INSERTS, LEAD-FREE, AMPLIMITE HDF
	4 PLC ± -	APPLICATION SPEC	SIZE CAGE CODE DRAWING NO RESTRICTED TO
	ANGLES ±		A2 00779 C=1658611
MATERIAL	FINISH	WEIGHT -	SCALE 4:1 SHEET 1 of 1 REV D1
$\triangle 5 \triangle 6 \triangle 7$	$\triangle 8 \triangle 9$	CUSTOMER DRAWING	