



Chipsmall Limited consists of a professional team with an average of over 10 year of expertise in the distribution of electronic components. Based in Hongkong, we have already established firm and mutual-benefit business relationships with customers from,Europe,America and south Asia,supplying obsolete and hard-to-find components to meet their specific needs.

With the principle of "Quality Parts,Customers Priority,Honest Operation,and Considerate Service",our business mainly focus on the distribution of electronic components. Line cards we deal with include Microchip,ALPS,ROHM,Xilinx,Pulse,ON,Everlight and Freescale. Main products comprise IC,Modules,Potentiometer,IC Socket,Relay,Connector.Our parts cover such applications as commercial,industrial, and automotives areas.

We are looking forward to setting up business relationship with you and hope to provide you with the best service and solution. Let us make a better world for our industry!



Contact us

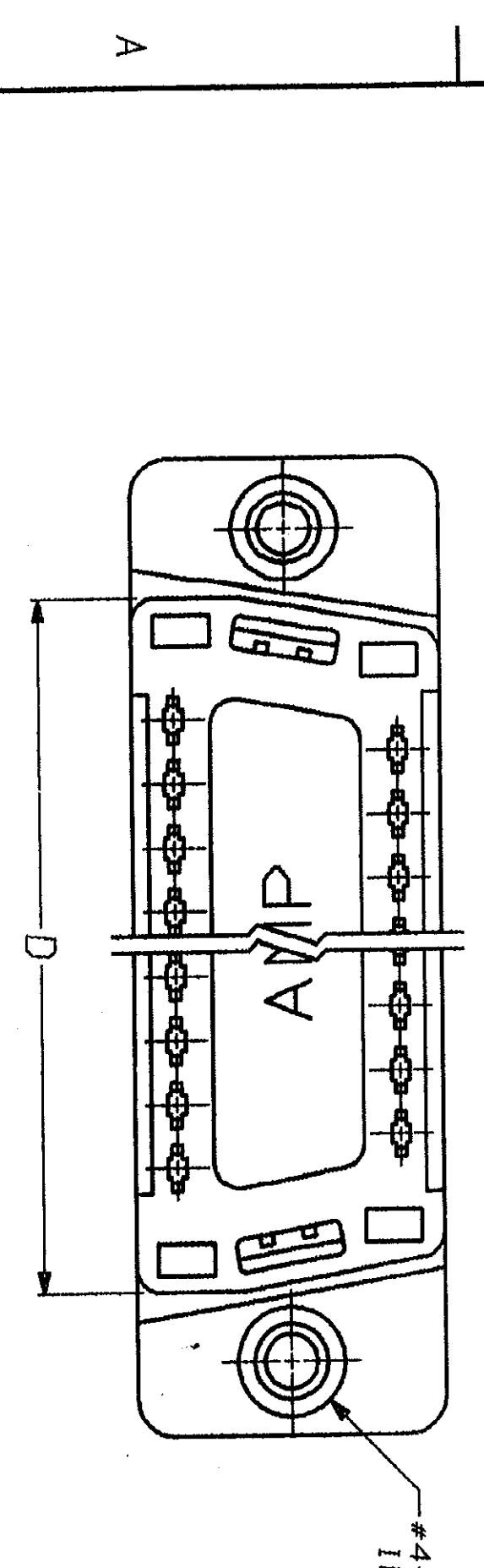
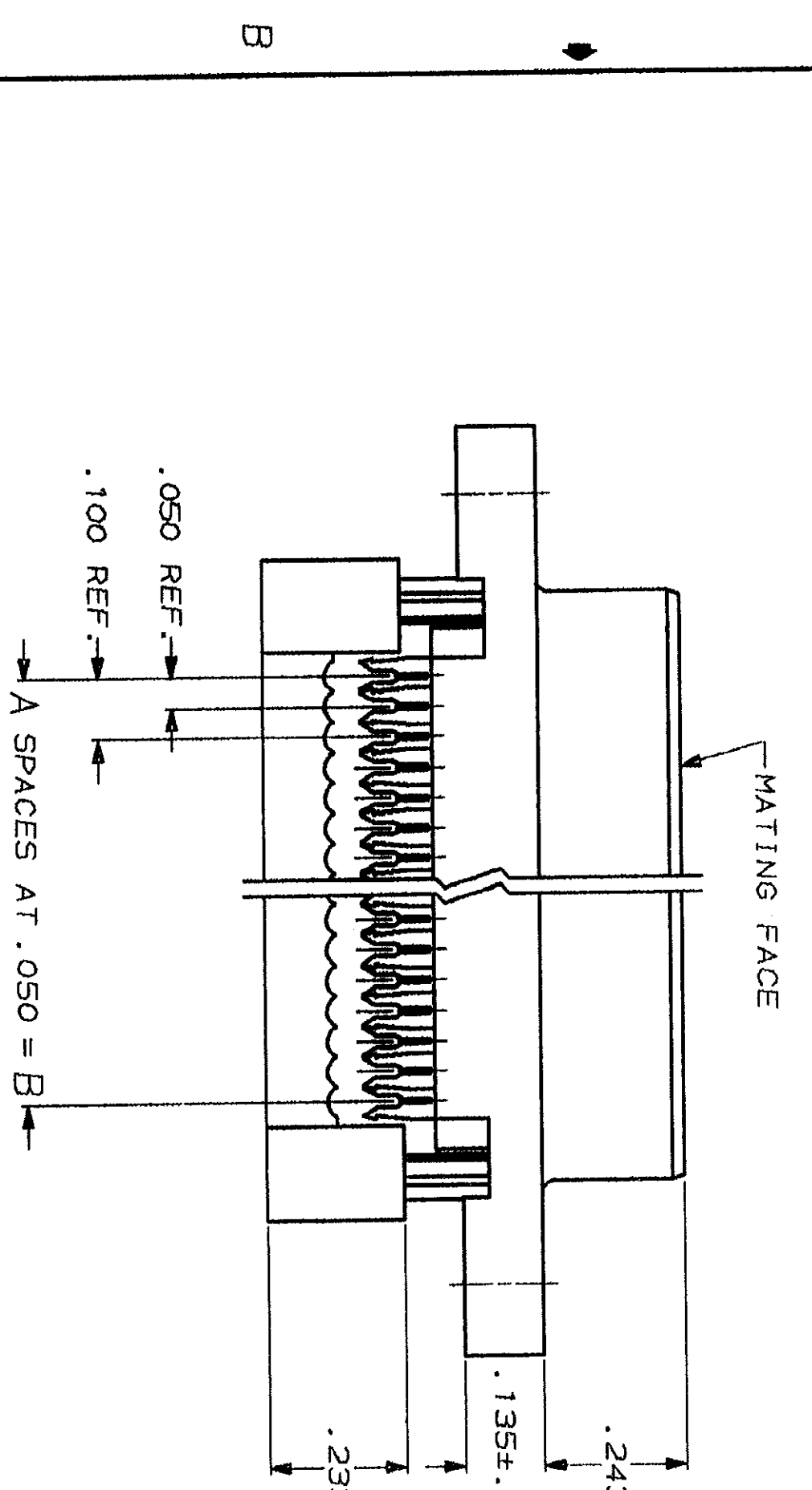
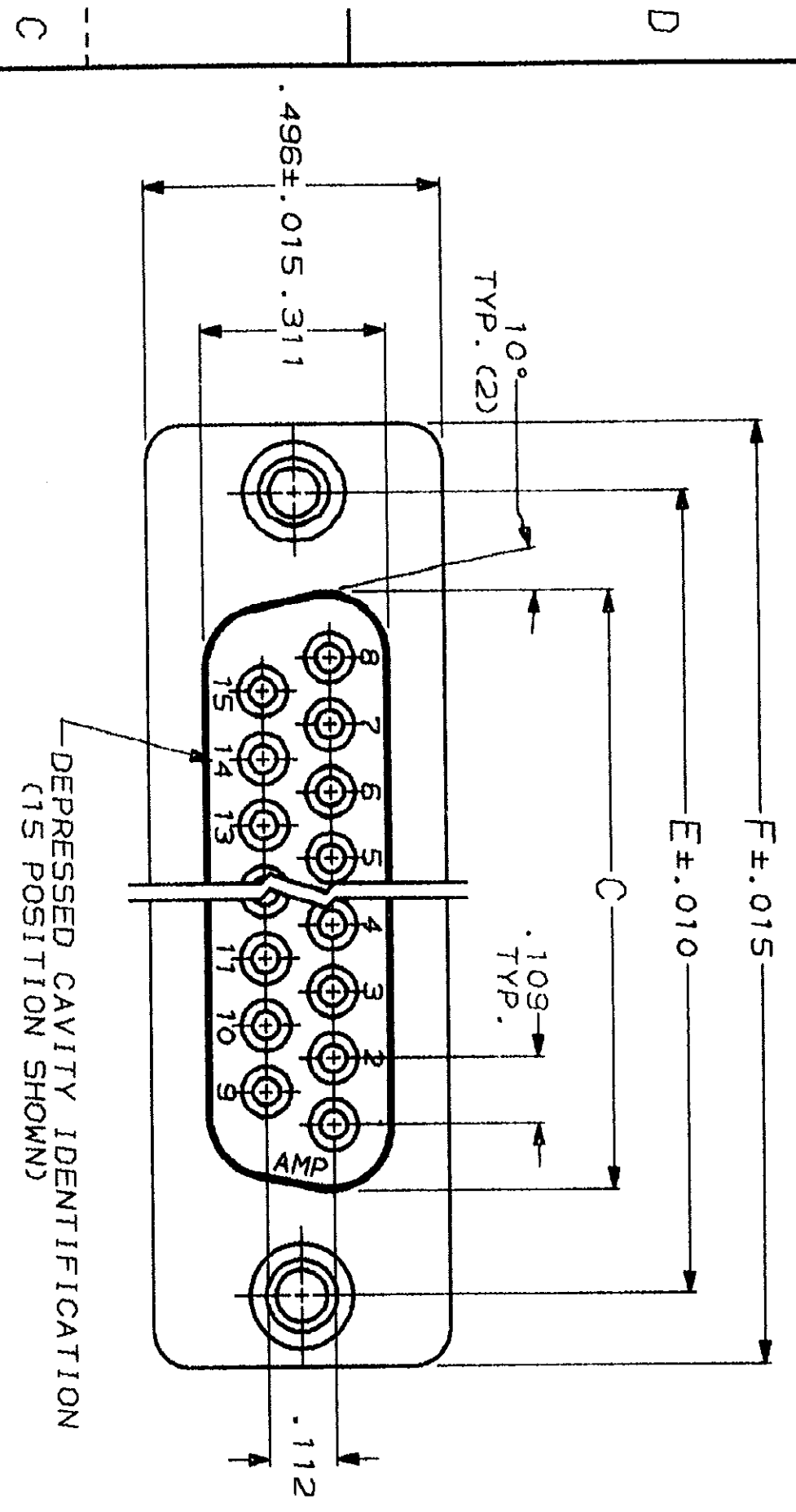
Tel: +86-755-8981 8866 Fax: +86-755-8427 6832

Email & Skype: info@chipsmall.com Web: www.chipsmall.com

Address: A1208, Overseas Decoration Building, #122 Zhenhua RD., Futian, Shenzhen, China



DRAWING MADE IN THIRD ANGLE PROJECTION
 THIS DRAWING IS UNPUBLISHED. RELEASED FOR PUBLICATION
 © COPYRIGHT 19 BY AMP INCORPORATED, HARRISBURG, PA. ALL INTERNATIONAL RIGHTS RESERVED. AMP PRODUCTS MAY BE COVERED BY U.S. AND FOREIGN PATENTS AND/OR PATENTS PENDING.



3

2

1

| REVOLUTIONS | | DESCRIPTION | DATE | APPROVED |
|-------------|---|----------------------|------|----------|
| P | F | ZONE LTR | | |
| | | 01 REV PER ECN 0520 | J.P. | 10-18-82 |
| | | A REVISED ECN-CF1457 | | 10-28-82 |
| | | B REV PER ECN BD2622 | | 2-18-83 |
| | | C REV PER ECN BD4356 | | 08/18/90 |

- CONNECTORS COMPLY WITH AMP SPEC. 108-40, 012 AND MATE WITH ANY SAME NUMBER POSITION PLUG CONNECTOR IN AMPLIMITE SERIES.
- CONNECTOR DESIGNED FOR 28 AND 26 AWG STRANDED AND SOLID CONDUCTOR RIBBON CABLE ON .050φ.
- DIMENSION APPLIES TO TERMINATED CONNECTOR.
- INSERTS WILL WITHSTAND 6 IN. LBS. TORQUE AND 50 LBS. PULL OUT FORCE FROM MATING FACE SIDE.
- MOLDED PARTS: FLAME RETARDANT 94V-0 RATED THERMOPLASTIC; COLOR: BLACK.
- PHOS. BRONZE PER QQ-B-750.
- BRASS PER MIL-C-50.
- GOLD PLATING PER MIL-G-45204, BRIGHT TIN PLATING PER MIL-T-10727, TIN LEAD PLATING PER MIL-P-81728, NICKEL PLATING PER QQ-N-290.
- PLATED WITH .000030 GOLD IN LOCALIZED GOLD PLATE AREA, .000100-.000200 BRIGHT TIN LEAD ON TERMINATION END, ALL OVER .000050 NICKEL ON ENTIRE CONTACT.
- ADVANCED PART NUMBER, NOT PRODUCTION TOOLED.

| NO. | QTY | DESCRIPTION | PART NO. | | | | |
|-------|-------|-------------|----------|-------|----|----|-------------------------|
| 1.764 | 1.526 | 1.287 | 1.140 | .900 | 18 | 19 | 747051-5 |
| 1.216 | .984 | .759 | .643 | .400 | 8 | 9 | 747051-4 |
| 1.541 | 1.312 | 1.087 | .971 | .700 | 14 | 15 | 747051-3 |
| 2.090 | 1.852 | 1.623 | 1.511 | 1.200 | 24 | 25 | 747051-2 |
| 2.732 | 2.500 | 2.275 | 2.159 | 1.800 | 36 | 37 | 747051-1 |
| F | E | D | C | B | A | | NO. OF PART POS. NUMBER |

UNLESS OTHERWISE SPECIFIED DIMENSIONS ARE IN INCHES. TOLERANCES ON DECIMALS ± .005 ANGLES ± 2°

MATERIAL: MOLDED PARTS: A FINISH: CONTACTS: UNPLATED INSERTS: A

CONTRACT NO: DR J. GERACE 11-1-82
 CHK J. GERACE 11-1-82
 APPD R. LEGGETT 11-5-82
 APPD E. GILL 11-8-82

AMP INCORPORATED
 Harrisburg, Pa.

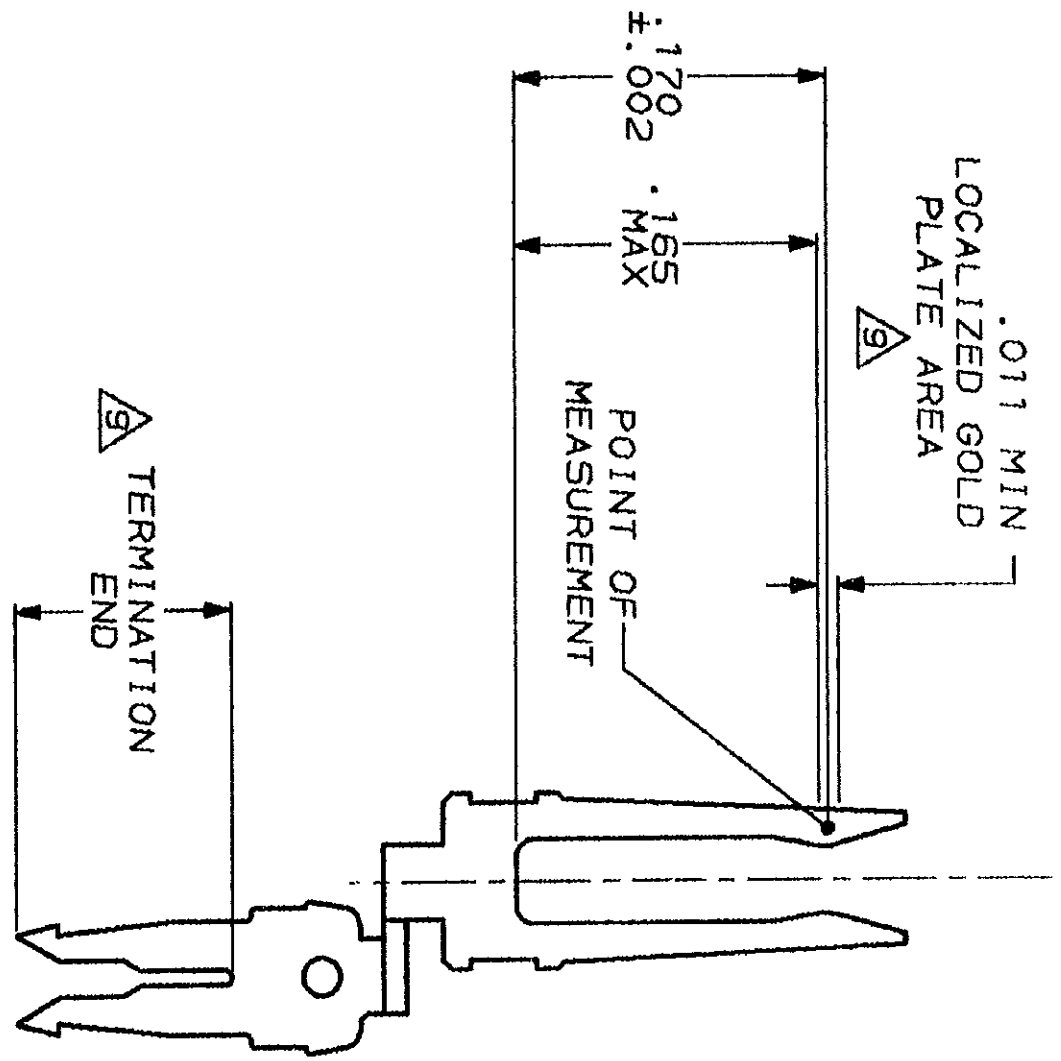
RECEPTACLE ASSEMBLY, LOW PROFILE
 HDF, W/ PREASSEMBLED COVER &
 THREADED INSERTS

SIZE: C FSOM NO: 00779 DRAWING NO: 747051
 SCALE: NTS SHEET 1 OF 2

CUSTOMER DRAWING

DRAWING MADE IN THIRD ANGLE PROJECTION
 THIS DRAWING IS UNPUBLISHED. RELEASED FOR PUBLICATION
 COPYRIGHT 1987 BY AMP INCORPORATED. ALL INTERNATIONAL RIGHTS RESERVED.

| | | | | |
|-----|-----|------|-----------|-------------|
| MOD | LOC | Q137 | REVISIONS | |
| 20 | BD | 39 | P | F |
| | | | ZONE | LTR |
| | | | C | SEE SHEET 1 |
| | | | DATE | APPD |



CONTACT DETAIL
 SCALE 10:1

| | | | | |
|---|------|-----------------------------|--|---|
| DO NOT SCALE PRINT. UNLESS SPECIFIED DIMENSIONS IN INCHES TOLERANCES ON: | | DR 11-3-87 M. EPLER | NAME RECEPTACLE ASSEMBLY, LOW PROFILE HDF, W/ PREASSEMBLED COVER & THREADED INSERTS | |
| 2 PLC DEC # | - | CHK 11-3-87 W. G. LENKER | AMP | AMP INCORPORATED Harrisburg, Pa. 17105 |
| 3 PLC DEC # | .005 | APPD - | SIZE | FSCH NO |
| ANGLES | ± 2° | PRODUCT SPEC | C | 00779 |
| MATERIAL | - | APPLICATION SPEC | SCALE | NTS |
| FINISH | - | WEIGHT | DRAWING NO | 747051 |
| | | | SHEET | 2 OF 2 |

AMP 1471-B REV 3-87
 19 SEP 1990 14:24:40 AMP7098

CUSTOMER DRAWING

747051