



Chipsmall Limited consists of a professional team with an average of over 10 year of expertise in the distribution of electronic components. Based in Hongkong, we have already established firm and mutual-benefit business relationships with customers from,Europe,America and south Asia,supplying obsolete and hard-to-find components to meet their specific needs.

With the principle of “Quality Parts,Customers Priority,Honest Operation,and Considerate Service”,our business mainly focus on the distribution of electronic components. Line cards we deal with include Microchip,ALPS,ROHM,Xilinx,Pulse,ON,Everlight and Freescale. Main products comprise IC,Modules,Potentiometer,IC Socket,Relay,Connector.Our parts cover such applications as commercial,industrial, and automotives areas.

We are looking forward to setting up business relationship with you and hope to provide you with the best service and solution. Let us make a better world for our industry!



Contact us

Tel: +86-755-8981 8866 Fax: +86-755-8427 6832

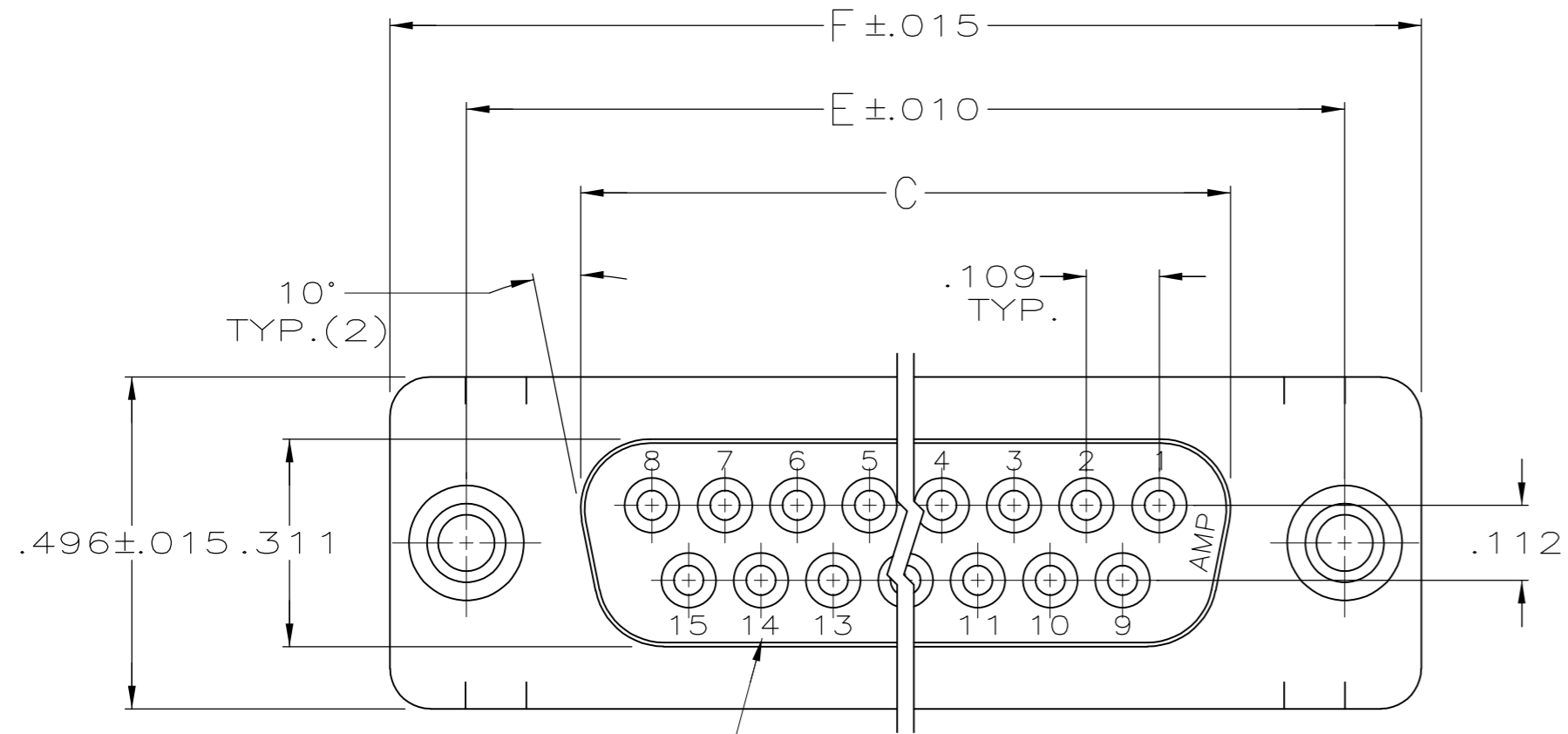
Email & Skype: info@chipsmall.com Web: www.chipsmall.com

Address: A1208, Overseas Decoration Building, #122 Zhenhua RD., Futian, Shenzhen, China



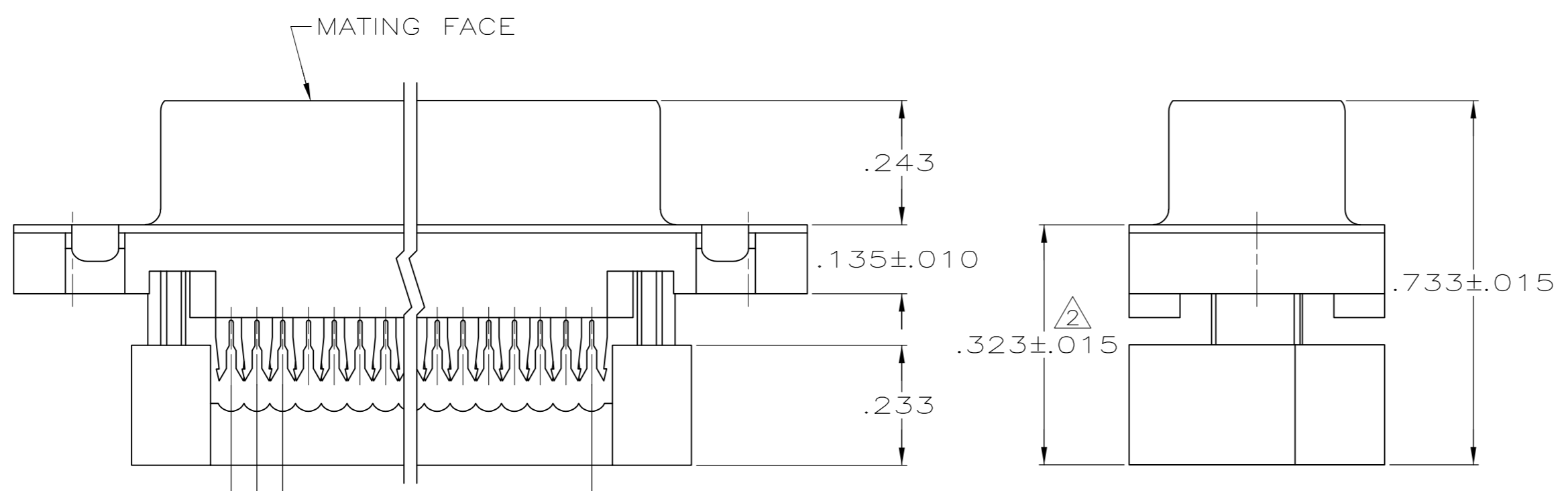
THIS DRAWING IS UNPUBLISHED. RELEASED FOR PUBLICATION
 © COPYRIGHT - By - ALL RIGHTS RESERVED.

LOC		DIST		REVISIONS			
P	LTR	DESCRIPTION		DATE	DWN	APVD	
GP	00	A3	REVISED PER ECO-11-004835		11MAR11	RK	HMR

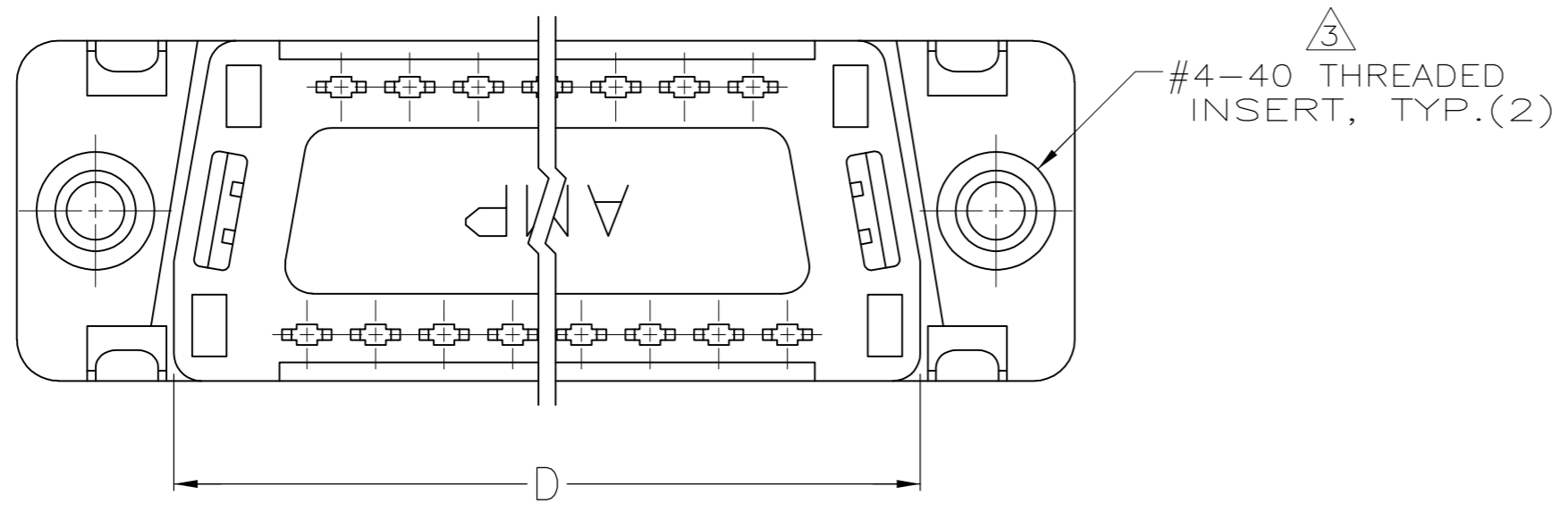


DEPRESSED CAVITY IDENTIFICATION
(15 POSITION SHOWN)

- CONNECTOR DESIGNED FOR 28 AND 26 AWG STRANDED AND SOLID CONDUCTOR RIBBON CABLE ON .050 ϕ .
- DIMENSION APPLIES TO TERMINATED CONNECTOR.
- INSERTS WILL WITHSTAND 6 IN LBS TORQUE AND 50 LBS PULL OUT FORCE FROM MATING FACE SIDE.
- HOUSING: THERMOPLASTIC, 94V-0 RATED, FLAME RETARDANT, COLOR: SEE TABLE. COVER: THERMOPLASTIC, 94V-0 RATED, FLAME RETARDANT, COLOR: BLACK. SHELL: STEEL PER QQ-S-698. CONTACTS: PHOSPHOR BRONZE PER QQ-B-750. INSERTS: BRASS PER MIL-C-50.
- GOLD PLATING PER MIL-G-45204, TIN PLATING PER MIL-T-10727, NICKEL PLATING PER QQ-N-290.
- SHELL: BRIGHT TIN PLATED. CONTACTS: .000030 MIN GOLD IN LOCALIZED GOLD PLATE AREA, .000100-.000200 MATTE TIN ON TERMINATION END, ALL OVER .000050 MIN NICKEL ON ENTIRE CONTACT.
- COLOR- C99 PANTONE 131C, GOLD.
- OBSOLETE PARTS: OBSOLETE CIS STREAMLINING PER D.RENAUD/D.SINISI



.050 REF.
.100 REF.
A SPACES AT .050 = B



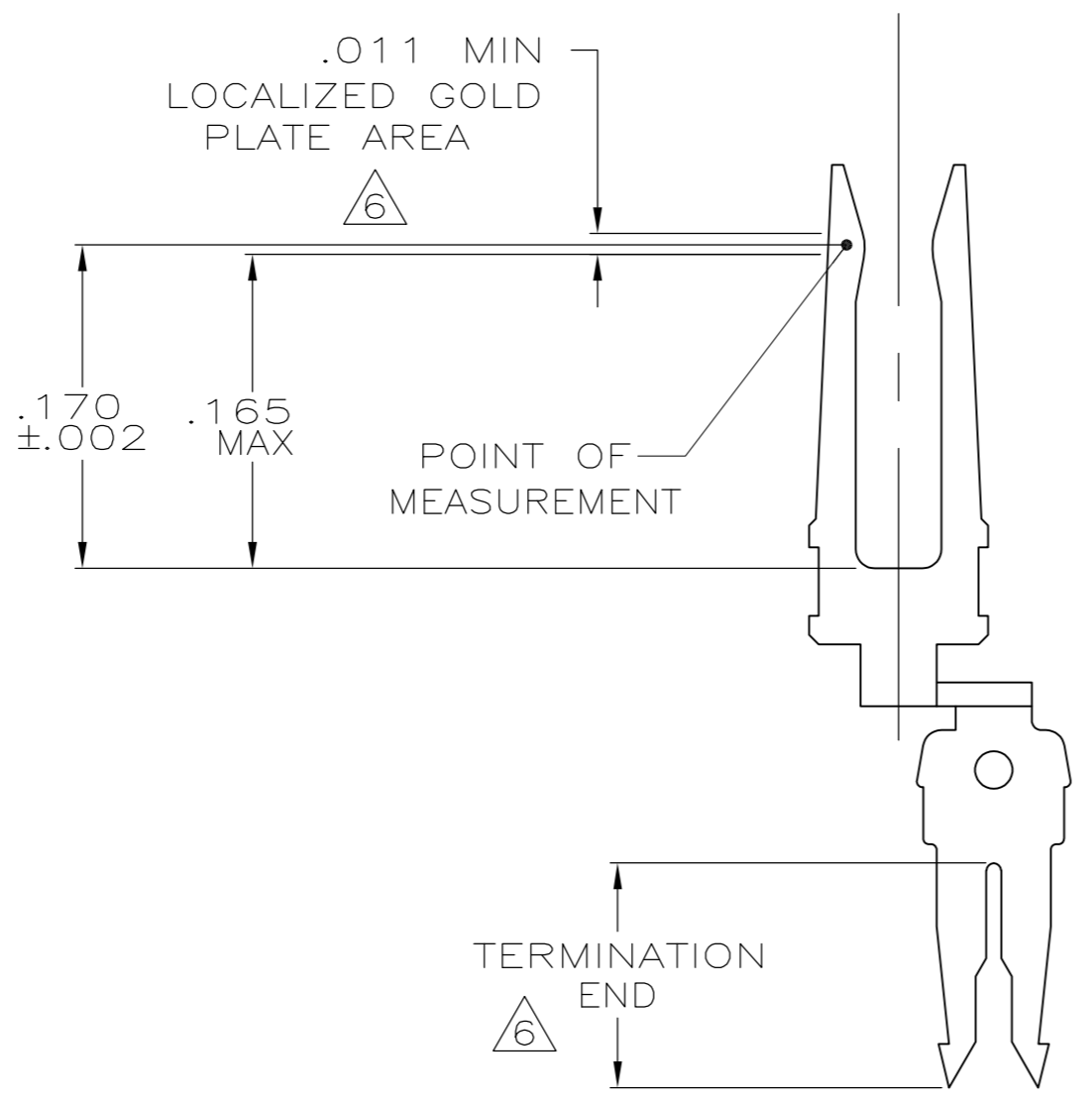
F	E	D	C	B	A	HOUSING COLOR	NO OF POSN	PART NUMBER
1.541	1.312	1.087	.971	.700	14	BLACK	15	1658610-6
1.216	.984	.759	.643	.400	8	BLACK	9	1658610-4
1.541	1.312	1.087	.971	.700	14	BLACK	15	1658610-3
2.090	1.852	1.623	1.511	1.200	24	BLACK	25	1658610-2
2.732	2.500	2.275	2.159	1.800	36	BLACK	37	1658610-1

THIS DRAWING IS A CONTROLLED DOCUMENT.

DIMENSIONS: INCHES	TOLERANCES UNLESS OTHERWISE SPECIFIED:	DWN B. MCMASTER 30MAR04	
	0 PLC ± -	CHK C. ROHDE 30MAR04	
	1 PLC ± -	APVD M. WALMSLEY 30MAR04	
	2 PLC ± -	NAME	
	3 PLC ± .005	PRODUCT SPEC	
4 PLC ± -	APPLICATION SPEC	108-40012	RECP ASSY, FRONT METAL SHELL, THREADED INSERTS, LEAD-FREE, AMPLIMITE HDF
ANGLES ± 2°	FINISH	SIZE A2	CAGE CODE 00779
MATERIAL	FINISH	WEIGHT -	DRAWING NO C=1658610
FINISH	FINISH	CUSTOMER DRAWING	RESTRICTED TO -
FINISH	FINISH	SCALE 4:1	SHEET 1 of 2
FINISH	FINISH	REV A3	

THIS DRAWING IS UNPUBLISHED. RELEASED FOR PUBLICATION
 © COPYRIGHT - By - ALL RIGHTS RESERVED.

LOC	DIST	REVISIONS			
P	LTR	DESCRIPTION	DATE	DWN	APVD
GP	00	SEE SHEET 1	-	-	-



CONTACT DETAIL
 SCALE 10:1

THIS DRAWING IS A CONTROLLED DOCUMENT.		DWN B. MCMASTER 30MAR04	TE TE Connectivity	
DIMENSIONS: INCHES		CHK C. ROHDE 30MAR04		
TOLERANCES UNLESS OTHERWISE SPECIFIED:		APVD M. WALMSLEY 30MAR04	NAME	
0 PLC ± -		PRODUCT SPEC	RECPY ASSY, FRONT METAL SHELL, THREADED INSERTS, LEAD-FREE, AMPLIMITE HDF	
1 PLC ± -		108-40012	SIZE	RESTRICTED TO
2 PLC ± -		APPLICATION SPEC	CAGE CODE	DRAWING NO
3 PLC ± .005		-	A2	00779
4 PLC ± -		WEIGHT	C=1658610	
ANGLES ± 2°		-	SCALE 4:1 SHEET 2 OF 2 REV A3	
FINISH		CUSTOMER DRAWING		

1658610