



Chipsmall Limited consists of a professional team with an average of over 10 year of expertise in the distribution of electronic components. Based in Hongkong, we have already established firm and mutual-benefit business relationships with customers from,Europe,America and south Asia,supplying obsolete and hard-to-find components to meet their specific needs.

With the principle of "Quality Parts,Customers Priority,Honest Operation,and Considerate Service",our business mainly focus on the distribution of electronic components. Line cards we deal with include Microchip,ALPS,ROHM,Xilinx,Pulse,ON,Everlight and Freescale. Main products comprise IC,Modules,Potentiometer,IC Socket,Relay,Connector.Our parts cover such applications as commercial,industrial, and automotives areas.

We are looking forward to setting up business relationship with you and hope to provide you with the best service and solution. Let us make a better world for our industry!



Contact us

Tel: +86-755-8981 8866 Fax: +86-755-8427 6832

Email & Skype: info@chipsmall.com Web: www.chipsmall.com

Address: A1208, Overseas Decoration Building, #122 Zhenhua RD., Futian, Shenzhen, China





[Home](#) / [Products](#) / [Part Numbers](#) / A8733

A8733 Mobile Phone Xenon Photoflash Driver with IGBT Gate Driver

Data sheet

- [Contact Allegro Marketing](#)

Features

- Primary side sense technology
- User-adjustable current limit from 0.6 to 1.8 A
- System Enable input
- 1.1 V logic capability

Applications

- Cell phone camera modules

Description

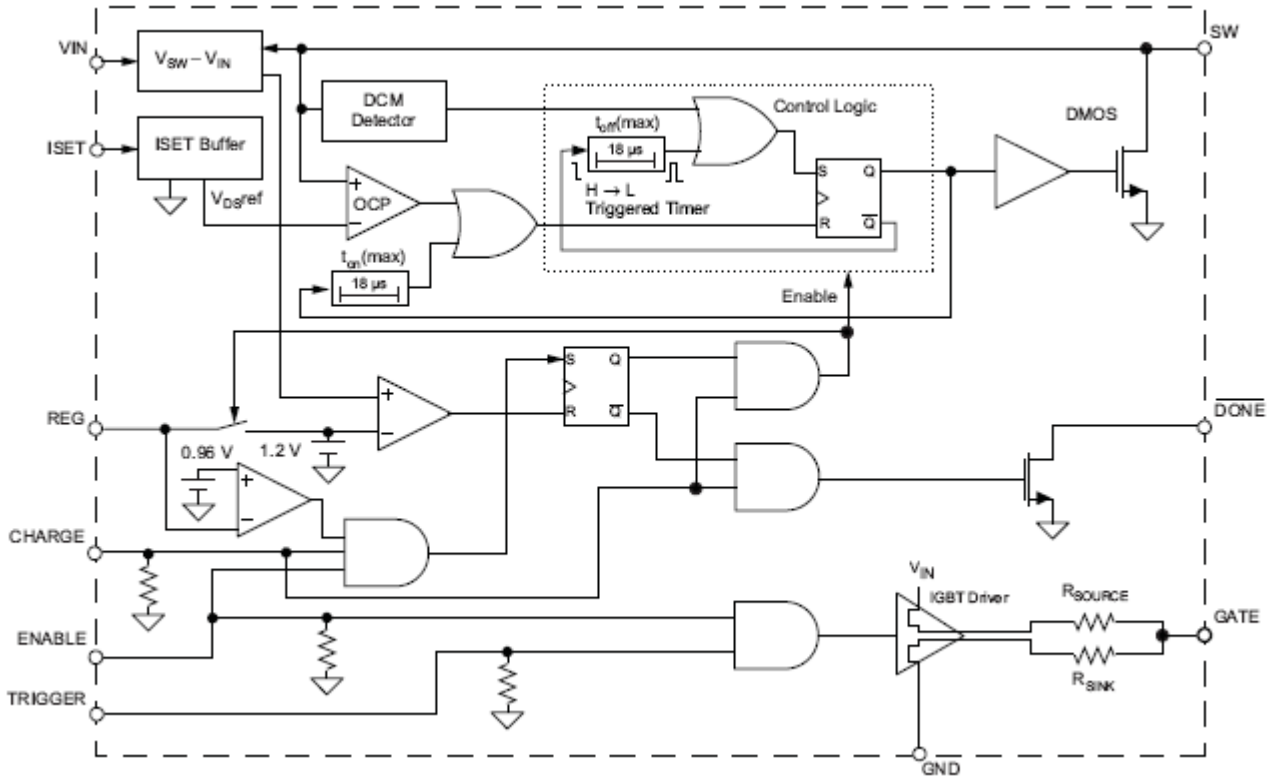
The Allegro® A8733 Xenon photoflash charger IC is designed to meet the needs of ultra-low power, small form factor cameras, particularly camera-phones.

The charge time is adjustable by setting the charge current limit from 0.6 to 1.8 A maximum. By using primary-side voltage sensing, the need for a secondary-side resistive voltage divider is eliminated. This has the additional benefit of reducing leakage currents on the secondary side of the transformer. To extend battery life, the A8733 features very low supply current draw—typically 0.01 μ A in shutdown mode.

The A8733 has a system enable pin to prevent accident activation of CHARGE or TRIGGER signals. The charge and trigger voltage logic thresholds are set at 1.1 V_{HI}(min) to support applications implementing low voltage control logic. The A8733 is available in a 10-contact 3 mm \times 3 mm DFN/MLP package with a 0.75 nominal overall package height, and an exposed pad for enhanced thermal performance.

Functional Block Diagram





Complete Part Numbers

Part Number	Package Type	RoHS Compliant	Part Composition/ RoHS Data	Temperature	Comments	Samples	Distributor Stock
A8733EEJTR-T	10-lead MLP	Yes	view data	-40 °C to 85 °C	<i>new</i>	Contact Local Sales Representative or check distributor stock	<input type="button" value="Check Stock"/>

Allegro's products are not to be used in life support devices or systems, if a failure of an Allegro product can reasonably be expected to cause the failure of that life support device or system, or to affect the safety or effectiveness of that device or system.

Copyright © 2009 Allegro MicroSystems, Inc. • 115 Northeast Cutoff, Worcester, MA 01606 USA • Phone: 1.508.853.5000 • Fax: 1.508.853.7895