



Chipsmall Limited consists of a professional team with an average of over 10 year of expertise in the distribution of electronic components. Based in Hongkong, we have already established firm and mutual-benefit business relationships with customers from,Europe,America and south Asia,supplying obsolete and hard-to-find components to meet their specific needs.

With the principle of “Quality Parts,Customers Priority,Honest Operation,and Considerate Service”,our business mainly focus on the distribution of electronic components. Line cards we deal with include Microchip,ALPS,ROHM,Xilinx,Pulse,ON,Everlight and Freescale. Main products comprise IC,Modules,Potentiometer,IC Socket,Relay,Connector.Our parts cover such applications as commercial,industrial, and automotives areas.

We are looking forward to setting up business relationship with you and hope to provide you with the best service and solution. Let us make a better world for our industry!



## Contact us

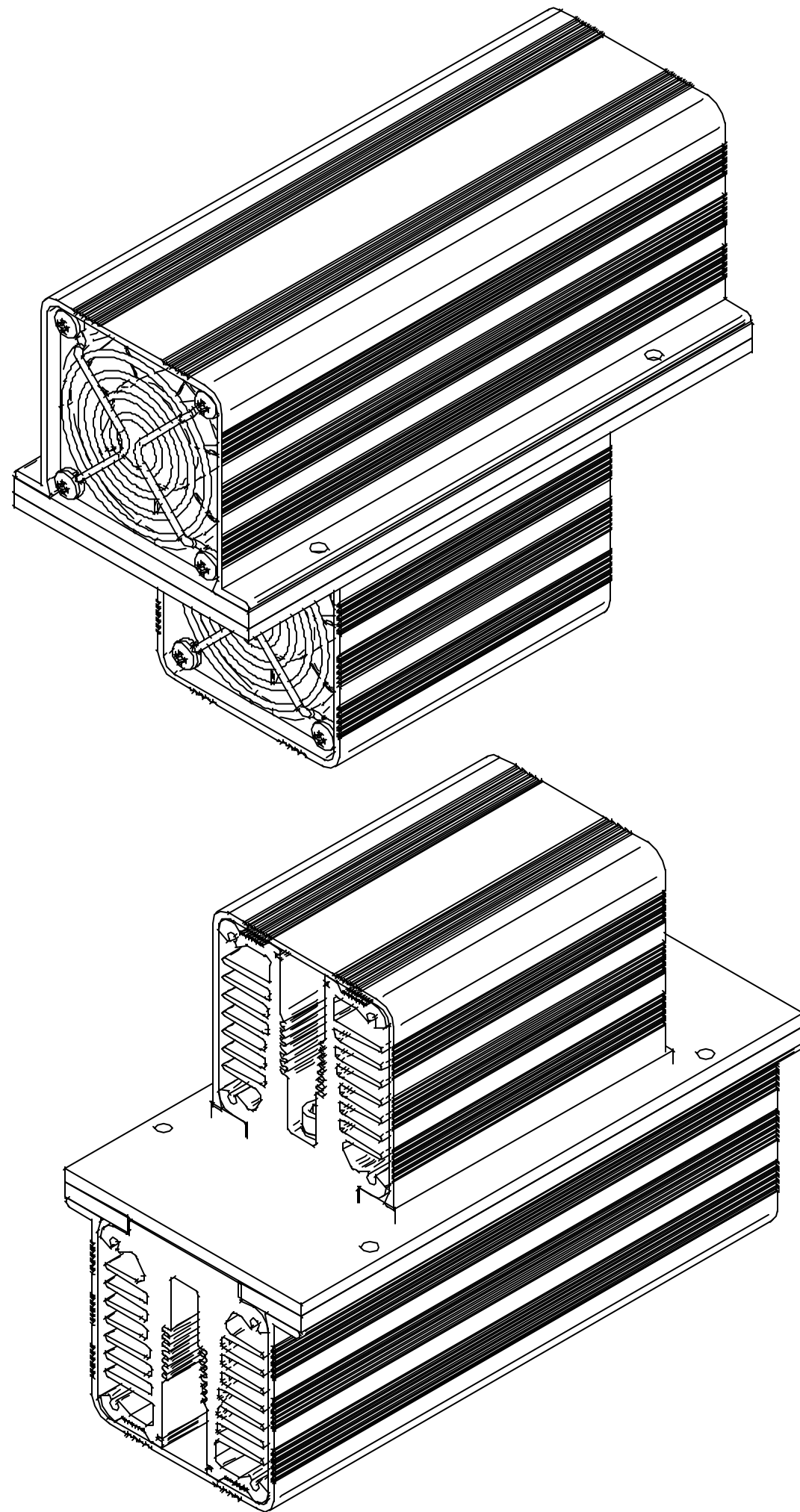
Tel: +86-755-8981 8866 Fax: +86-755-8427 6832

Email & Skype: info@chipsmall.com Web: www.chipsmall.com

Address: A1208, Overseas Decoration Building, #122 Zhenhua RD., Futian, Shenzhen, China

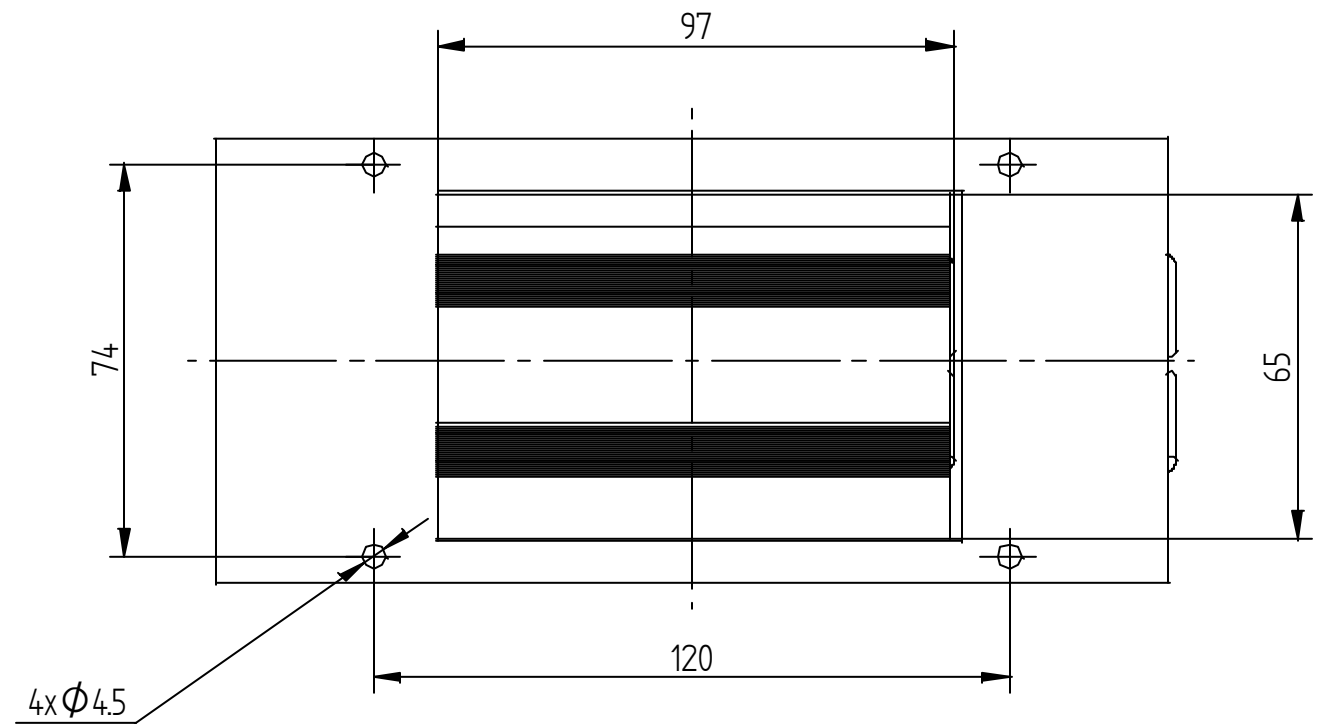






Specification: (Ta=32°C)	Code:	Description:
Heat transfer, cold side:	A	Air
Heat transfer, warm side:	A	Air
Cascade:	-	
Cooling power: [W]	033	28 W at dT=0°C. Tolerance: ±10%.
Voltage, nominal: [VDC]	24	24 VDC.
TEM Voltage: [VDC]		Nominal: 24 VDC, Max: 28 VDC.
TEM Current: [A]		Nominal: 2,3 A, Initial: 2,7 A. All at dT=0°C. Tolerance: ±10%.
Fan(s), cold side:	2	MTBF: 52,000 hrs. L10 at 25°C. Nominal current: 0.15 A. Voltage: 24 VDC ±10%.
Fan(s), warm side:	2	MTBF: 50,000 hrs. L10 at 25°C. Nominal current: 0.25 A. Voltage: 24 VDC ±10%.
Temperature controller, sensor:	0	None.
Temperature control settings, trim options:	0	-
Additional controller information:		
Temperature control position:	0	-
Options:	0	-
Weight:		1,4
Overheating thermostat:		None.
Operating temperature:		-10°C to +48°C at nominal voltage.
TE-Module(s) temperature specification:		Max. surface temperature: 80°C.
Enclosed:		-
Packing:		Individual cardboard box.

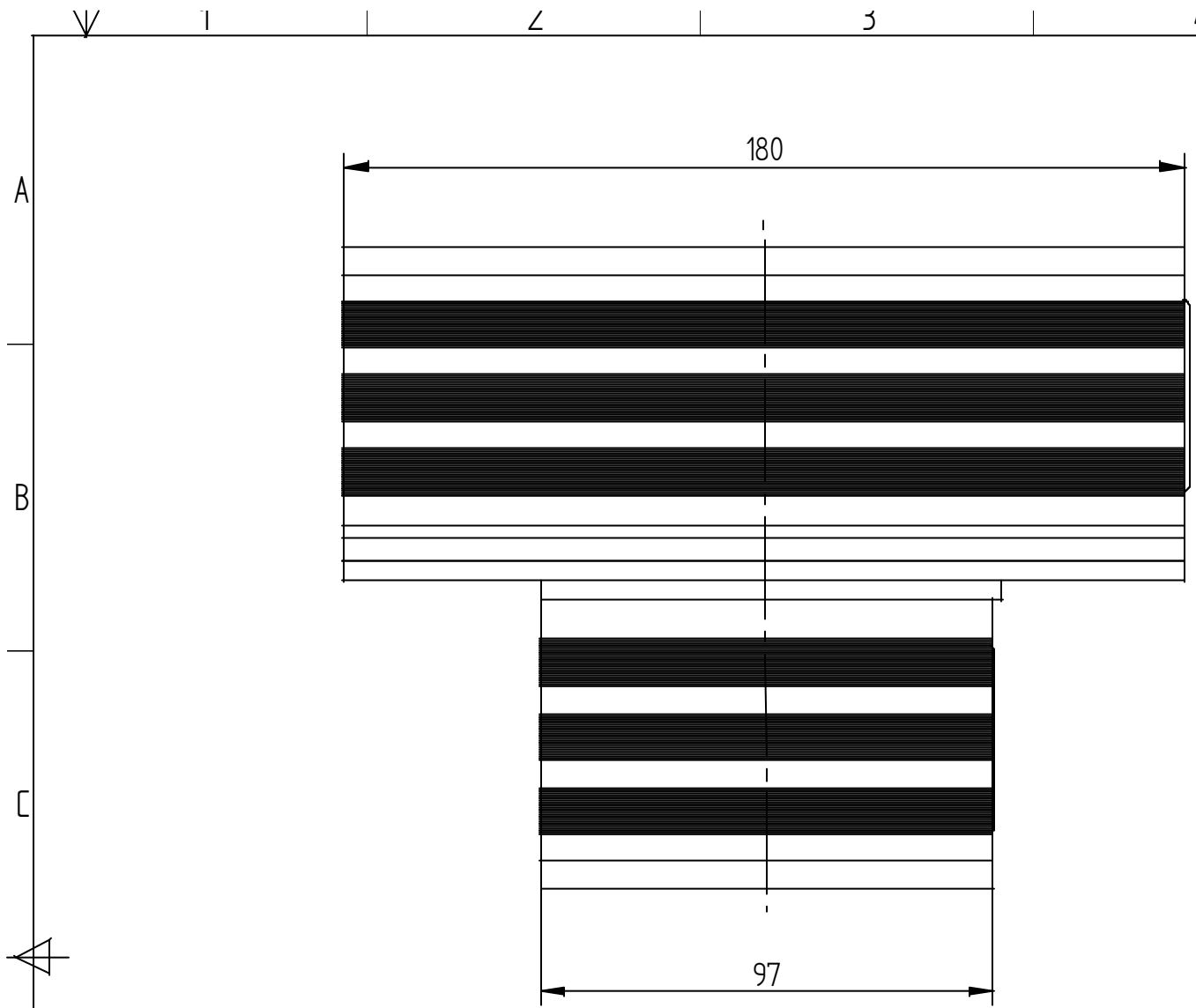
Mounting hole print: 99 x 67



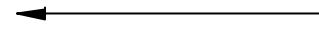
Comments / deviations: Heat sinks and, if applicable, D-plates and shrouds in anodised aluminium.		General tolerances: SS-ISO 2768-1 c	
Designed by: Henrik Höjer	Approved by: Pavel Cech	Release date: 20050128	Customer: Supercool AB
Project: T60		Title: TE ASSEMBLY 24 VDC AIR - AIR	
Part nr: AA-033-24-22-00-00		Rev. nr: 0	Status: 0
Scale: -		Size, sheet: A3, 1(3)	



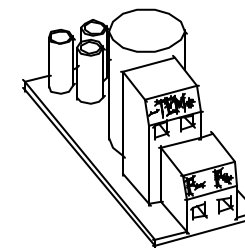
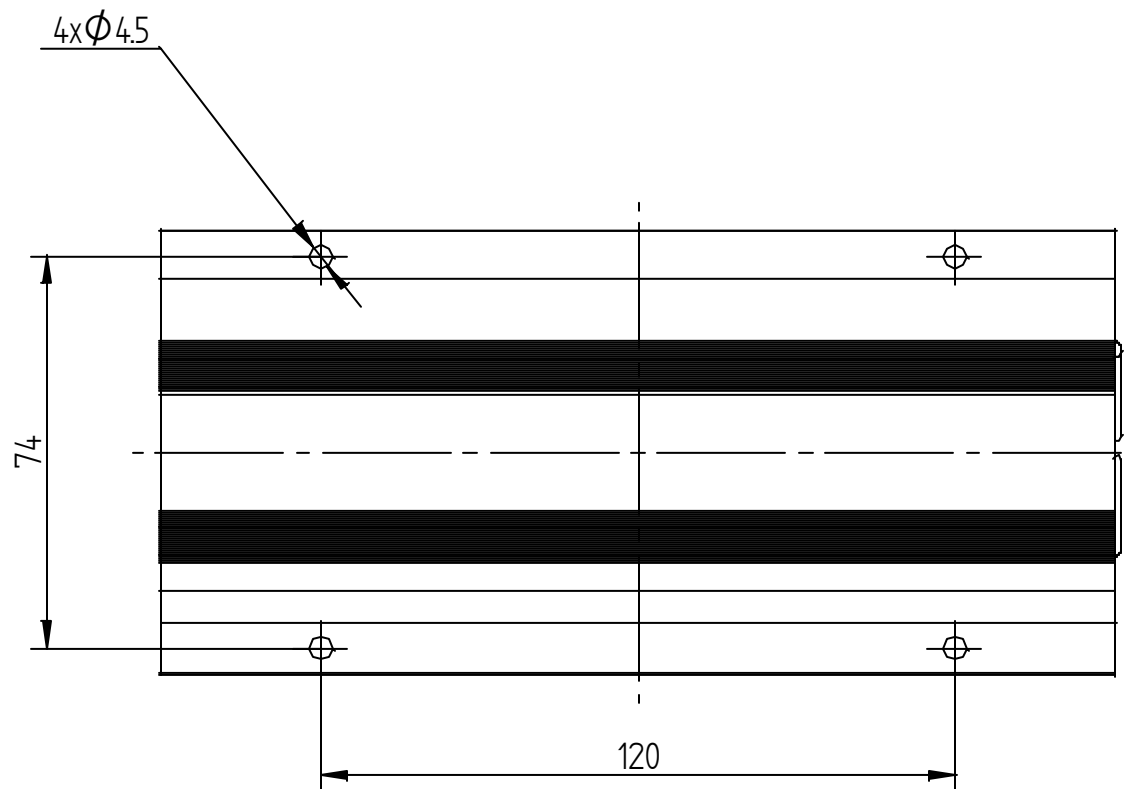
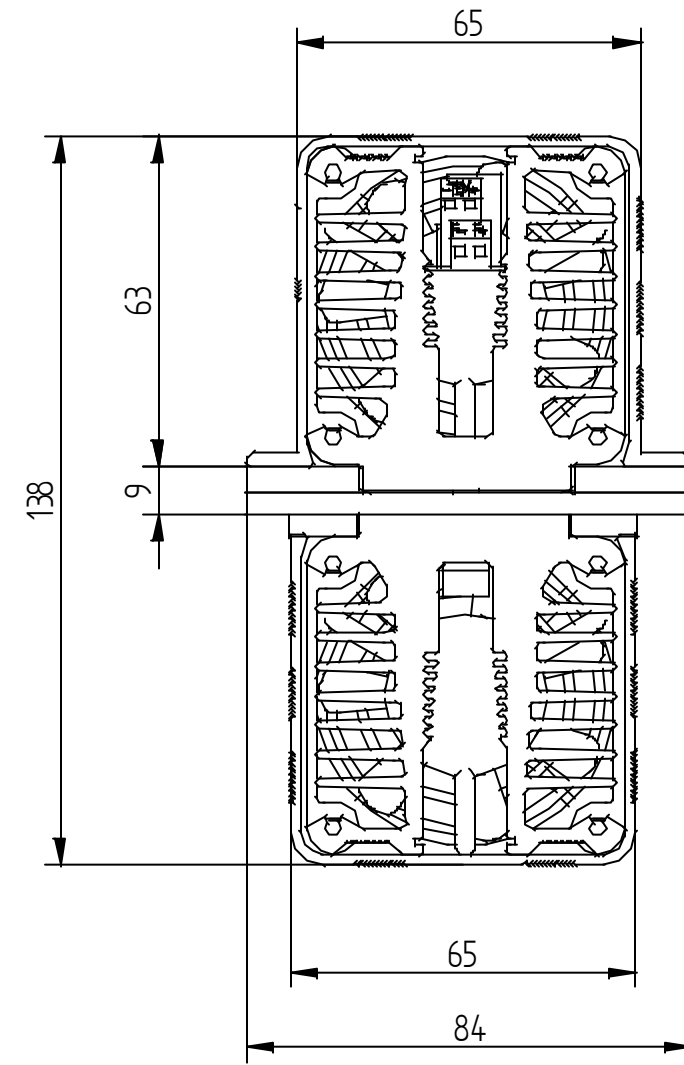
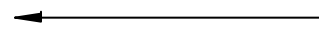
Supercool AB  
Box 27, S-40120 Göteborg, Sweden  
tfn: +46 31 420530, fax: +46 31 247909  
e-mail: info@supercool.se  
Web: www.supercool.se




Warm side air flow



Cold side air flow



Electrical connections:  
 "TEM+": + TEM  
 "TEM-": - TEM  
 "F+": + Fan(s)  
 "F-": - Fan(s)

Comments / deviations: Heat sinks and, if applicable, D-plates and shrouds in anodised aluminium.		General tolerances: SS-ISO 2768-1 c	
Designed by: Henrik Höjer	Approved by: Pavel Cech	Release date: 20050128	Customer: Supercool AB
 Supercool AB Box 27, S-40120 Göteborg, Sweden tfn: +46 31 420530, fax: +46 31 247909 e-mail: info@supercool.se Web: www.supercool.se		Title: TE ASSEMBLY 24 VDC AIR - AIR	
		Part nr: AA-033-24-22-00-00	Rev. nr: 0
		Size, sheet A3, 2(3)	