



Chipsmall Limited consists of a professional team with an average of over 10 year of expertise in the distribution of electronic components. Based in Hongkong, we have already established firm and mutual-benefit business relationships with customers from,Europe,America and south Asia,supplying obsolete and hard-to-find components to meet their specific needs.

With the principle of “Quality Parts,Customers Priority,Honest Operation,and Considerate Service”,our business mainly focus on the distribution of electronic components. Line cards we deal with include Microchip,ALPS,ROHM,Xilinx,Pulse,ON,Everlight and Freescale. Main products comprise IC,Modules,Potentiometer,IC Socket,Relay,Connector.Our parts cover such applications as commercial,industrial, and automotives areas.

We are looking forward to setting up business relationship with you and hope to provide you with the best service and solution. Let us make a better world for our industry!



Contact us

Tel: +86-755-8981 8866 Fax: +86-755-8427 6832

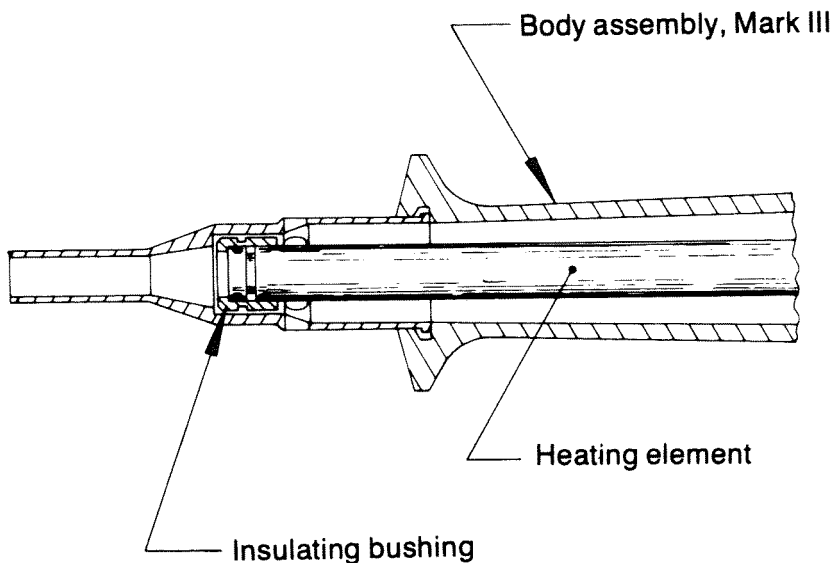
Email & Skype: info@chipsmall.com Web: www.chipsmall.com

Address: A1208, Overseas Decoration Building, #122 Zhenhua RD., Futian, Shenzhen, China



Raychem Part No. 597678

AA-400 Mark III Body Assy' Replacement Kit.



Notes:

1. The insulating bushing was not required for the MK II body assy'. (green). The enclosed bushing must be used with the MK III body assy'. (yellow)
2. Slide insulating bushing over end of heating element prior to inserting element in body assembly.

If this document is printed it becomes uncontrolled.
Check for the latest revision.

Raychem Corporation
300 Constitution Drive
Menlo Park, California 94025
415) 361-3860 TWX 910-373-1728

Revision: A

H52325 9/84