



Chipsmall Limited consists of a professional team with an average of over 10 year of expertise in the distribution of electronic components. Based in Hongkong, we have already established firm and mutual-benefit business relationships with customers from,Europe,America and south Asia,supplying obsolete and hard-to-find components to meet their specific needs.

With the principle of “Quality Parts,Customers Priority,Honest Operation,and Considerate Service”,our business mainly focus on the distribution of electronic components. Line cards we deal with include Microchip,ALPS,ROHM,Xilinx,Pulse,ON,Everlight and Freescale. Main products comprise IC,Modules,Potentiometer,IC Socket,Relay,Connector.Our parts cover such applications as commercial,industrial, and automotives areas.

We are looking forward to setting up business relationship with you and hope to provide you with the best service and solution. Let us make a better world for our industry!



## Contact us

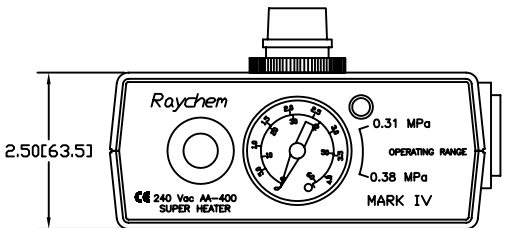
Tel: +86-755-8981 8866 Fax: +86-755-8427 6832

Email & Skype: info@chipsmall.com Web: www.chipsmall.com

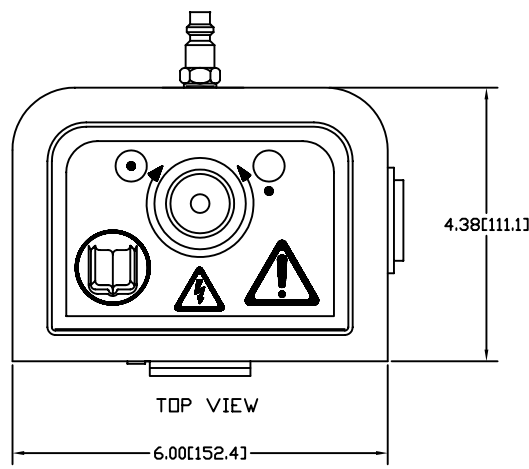
Address: A1208, Overseas Decoration Building, #122 Zhenhua RD., Futian, Shenzhen, China



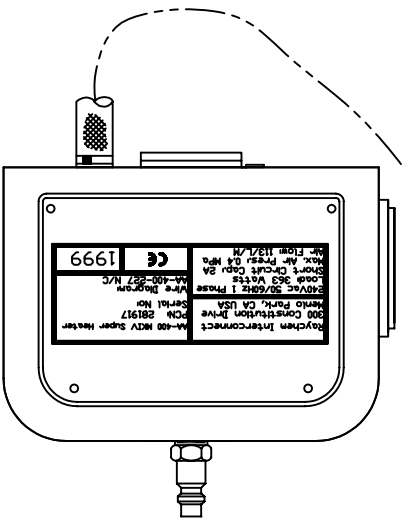
REVISIONS			
LTR	DESCRIPTION	DATE	APPROVED
	Initial Release Per DCR No. R000225	02/01/00	PMG



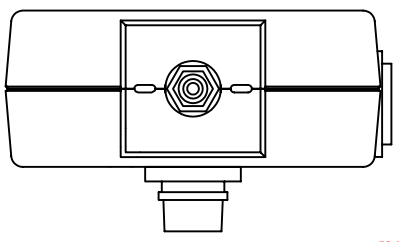
FRONT VIEW



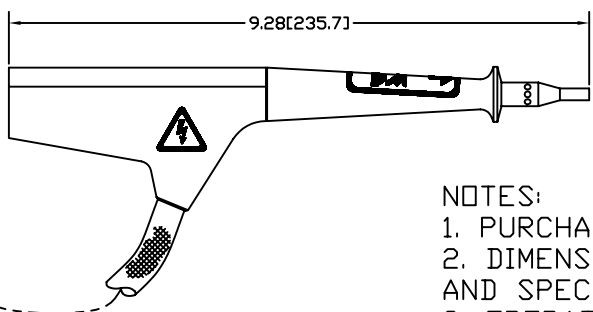
TOP VIEW



BOTTOM VIEW



BACK VIEW



NOTES:

1. PURCHASE AS RAYCHEM P/N 28197
2. DIMENSIONS ARE FOR REFERENCE ONLY AND SPECIFIED IN INCHES / [mm]
3. OPERATING REQUIREMENTS:  
220/240 Vac, 4 CFM [0.41 MPa] @ 60 PSIG [113 l/m] OF CLEAN & DRY COMPRESSED AIR

If this document is printed it becomes uncontrolled. Check for the latest revision

# SPECIFICATION CONTROL DRAWING

UNLESS OTHERWISE SPECIFIED DIMENSIONS ARE IN INCHES AND TOLERANCES ARE:		DRWN P. Godfrey	DATE 02/01/00	Raychem	RAYCHEM CORPORATION 300 CONSTITUTION DRIVE MENLO PARK, CALIFORNIA 94025
AA-400-200	NEXT ASSY USED ON	CHECKED E. Stadler	DATE 02/01/00		TITLE
THIS DRAWING AND THE INFORMATION SET FORTH HEREON ARE THE PROPERTY OF RAYCHEM CORPORATION AND ARE TO BE HELD IN TRUST AND CONFIDENCE. PUBLICATION, DUPLICATION, DISCLOSURE OR USE FOR ANY PURPOSE NOT EXPRESSLY AUTHORIZED IN WRITING BY RAYCHEM CORPORATION IS PROHIBITED.		APPROVED E. Cyzzik	DATE 02/01/00	THIRD ANGLE PROJECTION	SCALE
FINISH		SUB TITLE C:\InfoCAD\40020001		SIZE D	CODE IDENT. NO. 06090
PROJECT CE-AA-400		PROJECT PCL		DWG. NO. AA-400-200-01	REV 1
SCALE		FULL		DO NOT SCALE THIS DRAWING SHEET 1 OF 1	