



Chipsmall Limited consists of a professional team with an average of over 10 year of expertise in the distribution of electronic components. Based in Hongkong, we have already established firm and mutual-benefit business relationships with customers from,Europe,America and south Asia,supplying obsolete and hard-to-find components to meet their specific needs.

With the principle of "Quality Parts,Customers Priority,Honest Operation,and Considerate Service",our business mainly focus on the distribution of electronic components. Line cards we deal with include Microchip,ALPS,ROHM,Xilinx,Pulse,ON,Everlight and Freescale. Main products comprise IC,Modules,Potentiometer,IC Socket,Relay,Connector.Our parts cover such applications as commercial,industrial, and automotives areas.

We are looking forward to setting up business relationship with you and hope to provide you with the best service and solution. Let us make a better world for our industry!



Contact us

Tel: +86-755-8981 8866 Fax: +86-755-8427 6832

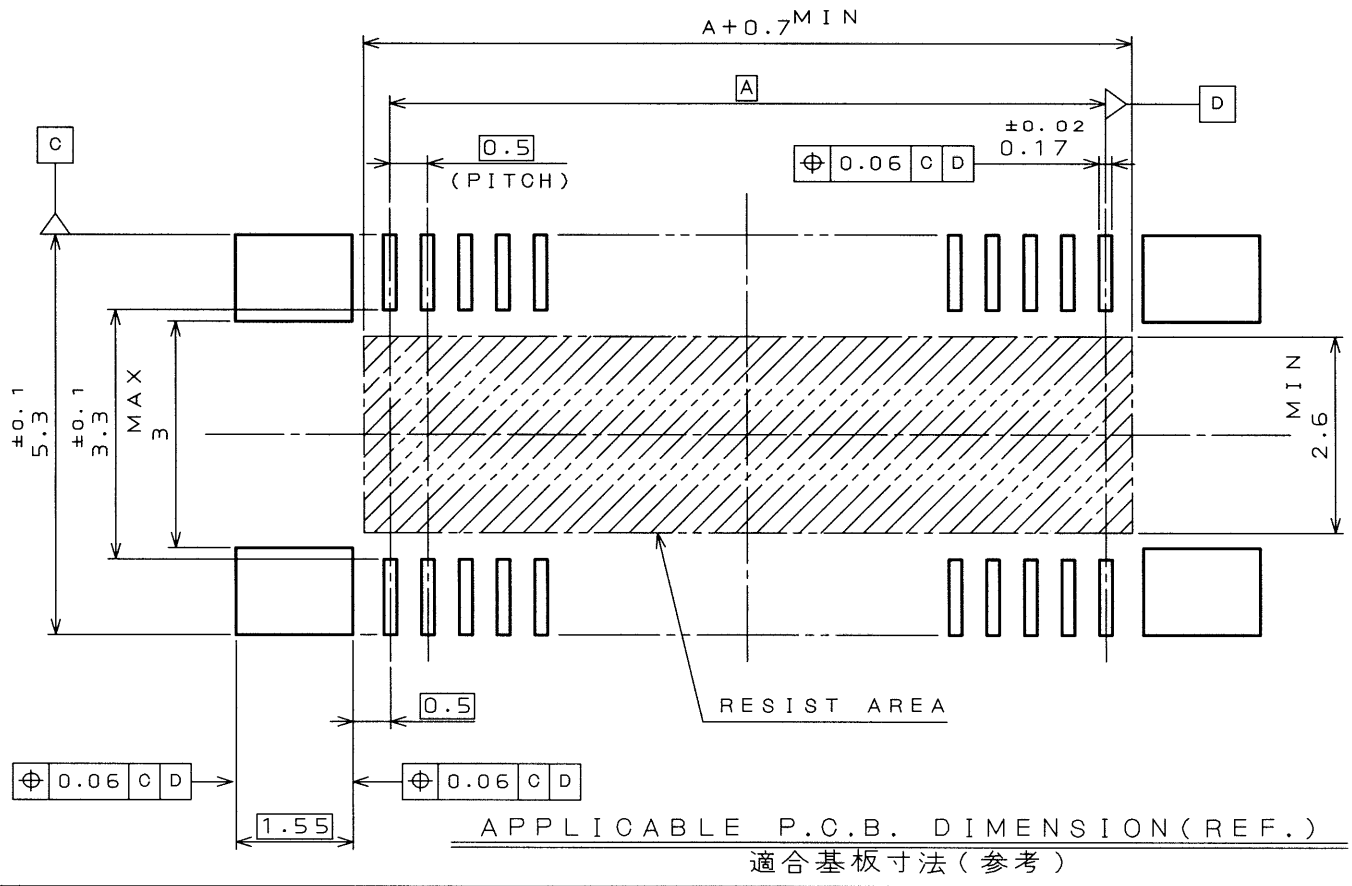
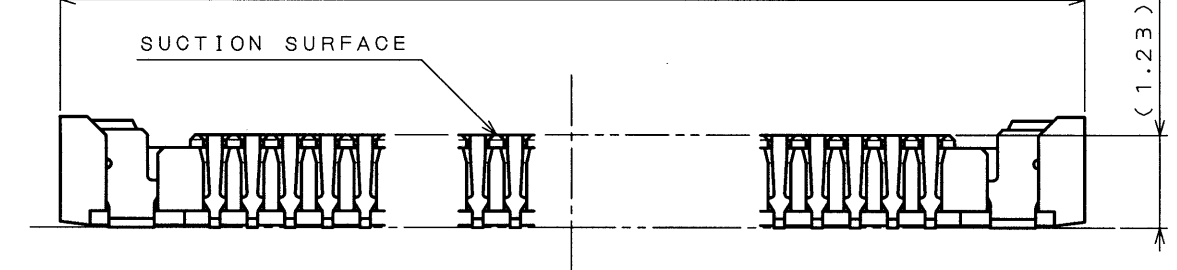
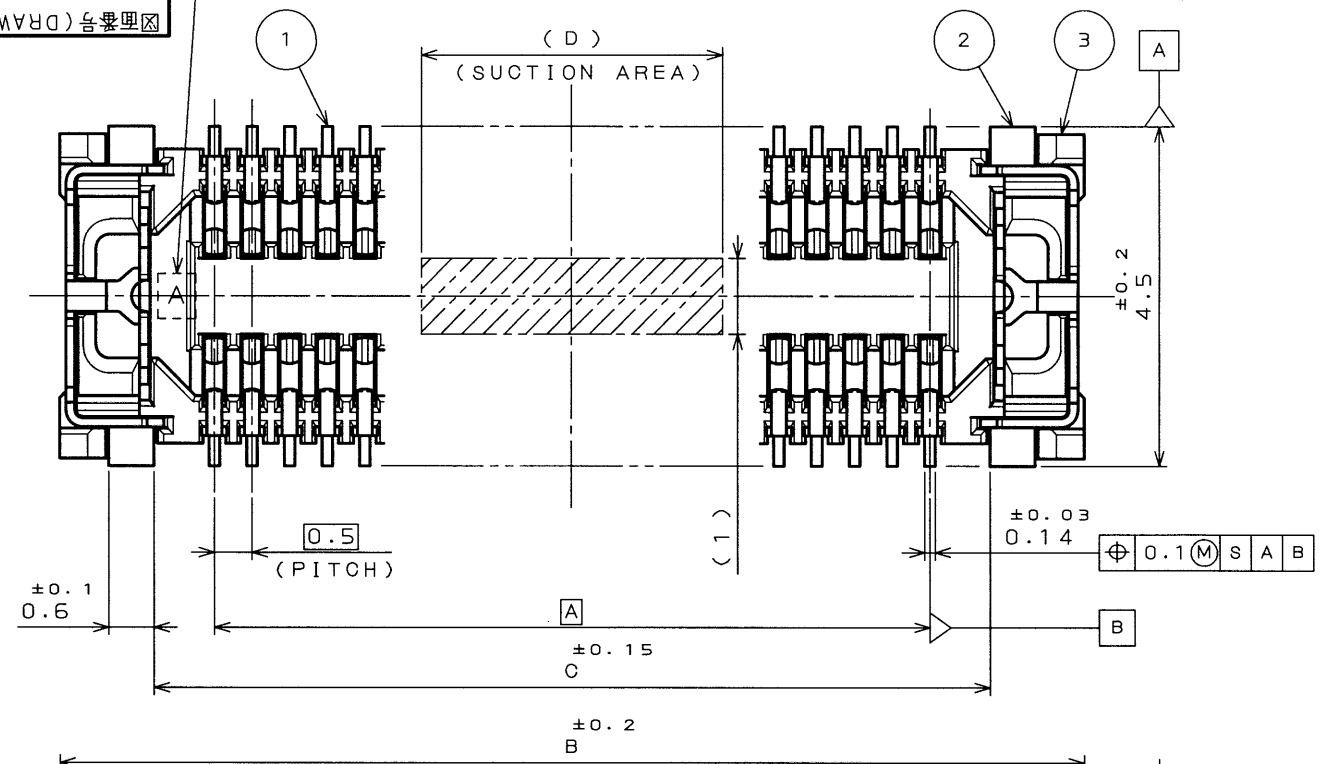
Email & Skype: info@chipsmall.com Web: www.chipsmall.com

Address: A1208, Overseas Decoration Building, #122 Zhenhua RD., Futian, Shenzhen, China



SJ036740
(DRAWING NO.)

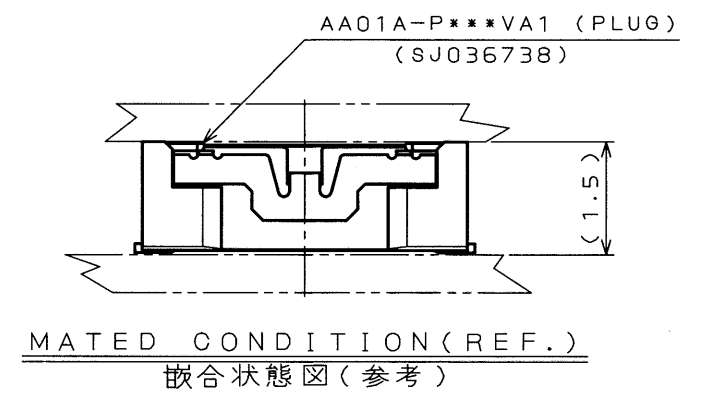
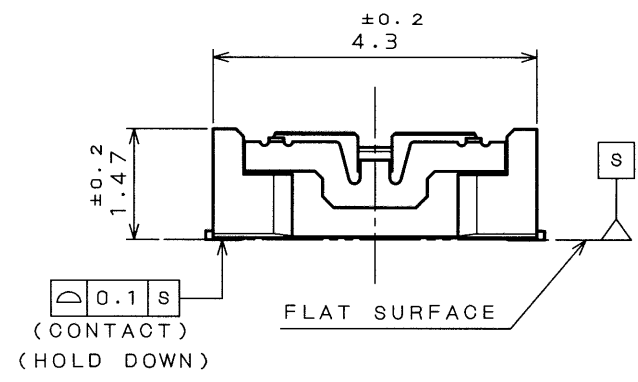
NOTE 1



版数 REV.	年月日 DATE	DCN NO.	変更内容 DESCRIPTION	製図 DR.	担当 CHK.	査閲 APPD.	承認 APPD.
2	7.May.2002	49927	ADDED NOTE. CORRECTED DIMENSIONS.		T.ISHIKAWA	T.Takahashi	O.Hashiguchi

TABLE 1

名称 (TITLE)	A	B	C	D
AA01A-S010VA1	2.0	6.1	3.6	2.0
AA01A-S030VA1	7.0	11.1	8.6	2.0
AA01A-S040VA1	9.5	13.6	11.1	4.0
AA01A-S060VA1	14.5	18.6	16.1	4.0



NOTE 1. CAVITY NUMBER IS MARKED ON THE BACK SIDE.
注1.裏面にキャビティ番号を表示する。

符号 NO.	名称 DESCRIPTION	個数 QTY.	材料 MATERIAL	仕上 FINISH	備考 REMARKS
3	INSULATOR インシュレータ	1	HEAT RESISTING PLASTICS 耐熱プラスチック		UL94V-0 COLOR:BLACK 色相:黒
2	HOLD-DOWN ホールダウン	2	COPPER ALLOY 銅合金	TIN PLATING Snめっき	
1	CONTACT コンタクト	N	COPPER ALLOY 銅合金	GOLD PLATING Auめっき	CONTACT AREA:0.1μm MIN. 接触部:0.1μm以上
仕様書 (SPECIFICATION) JACS-1696		第1版 (ORIGINAL DATE) 26.Apr.2002		尺貫 (SCALE) 10:1	
公差 (GENERAL TOLERANCE)		製図 (DRAWING) DR.		名称 (TITLE) AA01A -S***VA1 (RECEPTACLE)	
寸法 (DIMENSION)		担当 (CHECKER) CHK. T.ISHIKAWA		製図 (DRAWING) DR.	
角度 (ANGLES)		査閲 (APPROVER) APPD. T.TAKAHASHI		承認 (APPROVAL) APPD. O.HASHIGUCHI	
. ±0.8		.X ±0.4		重量 (WEIGHT)	
.XX ±0.1		.XXX ±		図面番号 (DRAWING NO.) SJ036740	
				版数 (REV.) 2	

本図面は日本航空電子工業(株)の所有する情報を含むもので当社の許可なく複製を禁止する。
THIS DRAWING CONTAINS INFORMATION THAT IS PROPRIETARY TO JAE AND CAN NOT BE REPRODUCED WITHOUT WRITTEN CONSENT OF JAE.

DOF-0-212D(98.02)

CDS-02-580-10084
A3
SIZE