



Chipsmall Limited consists of a professional team with an average of over 10 year of expertise in the distribution of electronic components. Based in Hongkong, we have already established firm and mutual-benefit business relationships with customers from,Europe,America and south Asia,supplying obsolete and hard-to-find components to meet their specific needs.

With the principle of “Quality Parts,Customers Priority,Honest Operation,and Considerate Service”,our business mainly focus on the distribution of electronic components. Line cards we deal with include Microchip,ALPS,ROHM,Xilinx,Pulse,ON,Everlight and Freescale. Main products comprise IC,Modules,Potentiometer,IC Socket,Relay,Connector.Our parts cover such applications as commercial,industrial, and automotives areas.

We are looking forward to setting up business relationship with you and hope to provide you with the best service and solution. Let us make a better world for our industry!



Contact us

Tel: +86-755-8981 8866 Fax: +86-755-8427 6832

Email & Skype: info@chipsmall.com Web: www.chipsmall.com

Address: A1208, Overseas Decoration Building, #122 Zhenhua RD., Futian, Shenzhen, China



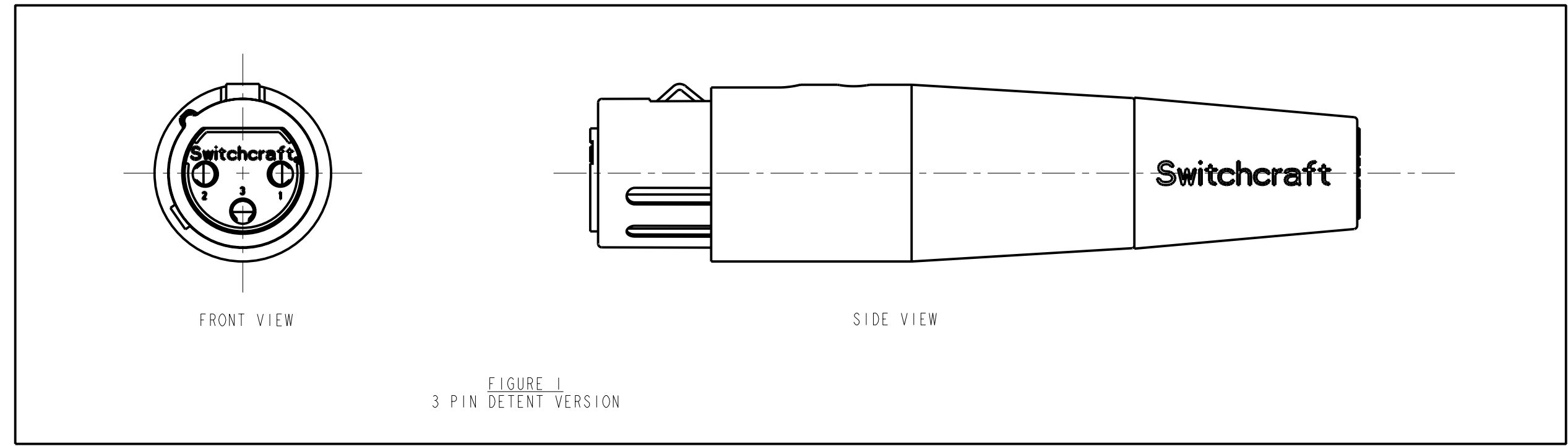
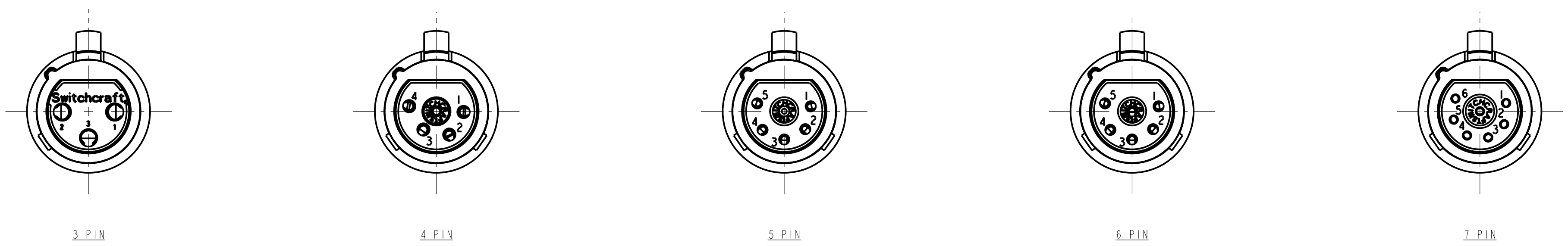
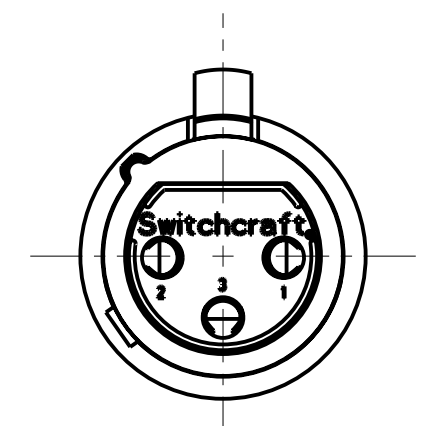
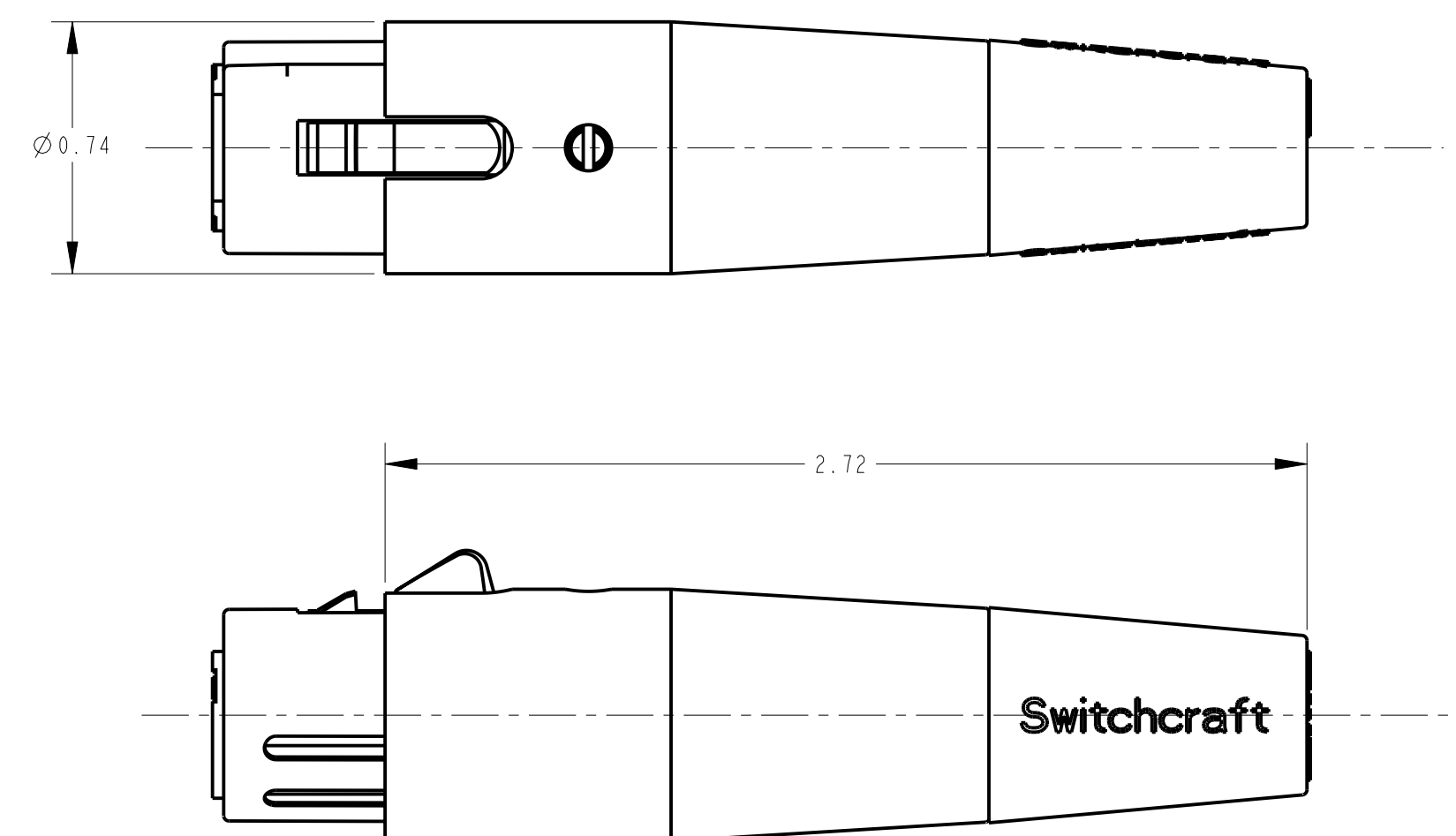


FIGURE 1
3 PIN DETENT VERSION



STANDARD SERIES

INSERT SCREW - STAINLESS STEEL
 SHELL - STAINLESS STEEL
 HOUSING - ZINC, NICKEL PLATED
 LATCH BUTTON - ZINC, NICKEL PLATED
 TUBULAR INSULATOR - MYLAR
 INSULATOR - POLYESTER, GREEN OR BLACK
 CABLE CLAMP - BRASS, ELECTRO TIN PLATED
 FLEX RELIEF - HI-FAX, BLACK
 LATCH SPRING - STAINLESS STEEL
 CONTACTS - PHOSPHOR BRONZE, SILVER PLATED

- AA F
- CONTACT PLATING
 BLANK = SILVER (STANDARD)
 AU = GOLD
- HOUSING FINISH SEE NOTE 2
 BLANK = NICKEL PLATE (STANDARD)
 BX = BLACK RoHS
- LATCH TYPE
 BLANK = STANDARD LATCHLOCK
 D = FAS-DIS-CONNECT DETENT (SEE FIGURE 1)
- FLEX RELIEF SIZE
 BLANK = STANDARD SIZE (0.210 TO 0.300)
 L = LARGE CABLES (0.300 TO 0.328)
 S = SMALL CABLES (0.105 TO 0.205)
- NO. OF CONTACTS:
 3 = 3 CONTACTS
 4 = 4 CONTACTS
 5 = 5 CONTACTS
 6 = 6 CONTACTS
 7 = 7 CONTACTS

PROFESSIONAL SERIES

SAME AS ABOVE EXCEPT
 CONTACTS - PHOSPHOR BRONZE, GOLD OVER NICKEL
 HOUSING - NON-REFLECTIVE VEL-TONE FINISH
 FLEX RELIEF - GRAY

- AQGP - 22
- NO. OF CONTACTS:
 3 = 3 CONTACTS

- NOTES:**
1. ALL DIMENSIONS REFERENCE UNLESS OTHERWISE SPECIFIED.
 2. BLACK HOUSING AND INSERT WITH SATIN NICKEL PLATED LATCH.
 3. THIS PRODUCT IS RoHS COMPLIANT.

REV	ECO NUMBER	DATE	BY	APVD
P	26965	5-25-12	TO	TJK
N	26158	10-4-06	TO	TJK
M	21522	1-31-97	MM	RB
L	20762	12-4-96	MM	RB

★ STAR SYMBOL DENOTES CRITICAL DIMENSION

UNLESS OTHERWISE SPECIFIED

1. ALL DIMENSIONS IN INCHES
 - TWO PLACE DECIMALS ±0.01
 - THREE PLACE DECIMALS ±0.005
 - FRACTIONAL DIMENSIONS ±1/64
 - ANGLES ±1°
 - ALL DIA. CONCENTRIC WITHIN 0.005 T.I.R.

2. FEATURES ON THE SAME CENTERLINE MUST BE ALIGNED WITHIN ±0.002

3. REMOVE ALL BURRS

DO NOT SCALE DRAWING

THIS DRAWING DESCRIBES A DESIGN CONSIDERED PROPRIETARY IN NATURE, DEVELOPED AND MANUFACTURED BY SWITCHCRAFT INC. AND IS RELEASED ON A CONFIDENTIAL BASIS FOR IDENTIFICATION PURPOSES ONLY.				
SIZE	WIDTH	MULT	LBS/M	TEMPER
FINISH		MATERIAL SPEC No.		
SPEC No.		SCALE 2:1		
DATE DRAWN	BY	CHKD	APVD	Switchcraft
8-Jul-94	SG	1-19-95	GHJ	
NAME				PART No.
AA SERIES FEMALE OQ, RoHS				AA_F SERIES
REVISIONS				REV P

CUSTOMER DRAWING