



Chipsmall Limited consists of a professional team with an average of over 10 year of expertise in the distribution of electronic components. Based in Hongkong, we have already established firm and mutual-benefit business relationships with customers from,Europe,America and south Asia,supplying obsolete and hard-to-find components to meet their specific needs.

With the principle of “Quality Parts,Customers Priority,Honest Operation,and Considerate Service”,our business mainly focus on the distribution of electronic components. Line cards we deal with include Microchip,ALPS,ROHM,Xilinx,Pulse,ON,Everlight and Freescale. Main products comprise IC,Modules,Potentiometer,IC Socket,Relay,Connector.Our parts cover such applications as commercial,industrial, and automotives areas.

We are looking forward to setting up business relationship with you and hope to provide you with the best service and solution. Let us make a better world for our industry!



## Contact us

Tel: +86-755-8981 8866 Fax: +86-755-8427 6832

Email & Skype: info@chipsmall.com Web: www.chipsmall.com

Address: A1208, Overseas Decoration Building, #122 Zhenhua RD., Futian, Shenzhen, China



**2.7W Stereo Audio Power Amplifier with 4 Selectable Gain Setups and Input MUX AA4006****General Description**

The AA4006 is a Class AB stereo audio power amplifier with headphone driver, which can deliver 2.7W into 3 $\Omega$  speakers with 5.0V power supply and THD+N less than 10%. It is designed specially for notebook PC and portable media player applications.

The AA4006 features stereo full differential input or 2 sets of stereo single-ended audio input. There are 4 different gain settings at BTL mode -6dB, 10dB, 15.6dB and 21.6dB, changed by setting GAIN0, GAIN1 pins. At SE mode, the gain is fixed 4.1dB.

The AA4006 can amplify square waveform beep input signal from BEEP\_IN pin and its' output can always reach BTL terminal, masking all other audio inputs regardless of whether the chip is in shutdown, SE or BTL mode.

The AA4006 is available in TSSOP-24 (EDP) package

**Features**

- Output Power, THD+N=10%:  
110mW at SE mode for 32 $\Omega$  Headphone  
220mW at SE mode for 16 $\Omega$  Headphone  
1.5W at BTL mode for 8 $\Omega$  Speaker  
2.3W at BTL mode for 4 $\Omega$  Speaker  
2.7W at BTL mode for 3 $\Omega$  Speaker
- Supply Voltage Range: 4.5V to 5.5V
- 4 Selectable Internal Fixed Gain Setups
- Stereo 2:1 Input Multiplexer
- Stereo Full Differential Input
- PC Beep Input
- Low Power Consumption at Shutdown mode  
150 $\mu$ A Typical
- Excellent Click/Pop Noise Suppression
- Thermal Shutdown Protection

**Applications**

- Notebook PC
- Portable Media Player

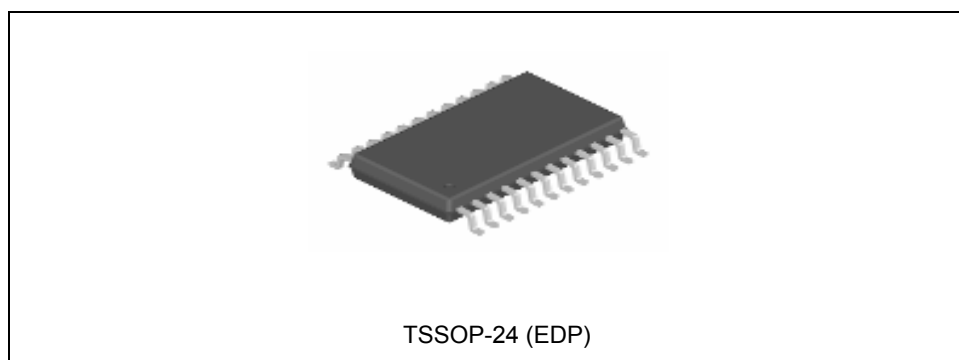


Figure 1. Packages Type of AA4006

**2.7W Stereo Audio Power Amplifier with 4 Selectable Gain Setups and Input MUX AA4006**

**Pin Configuration**

G Package  
(TSSOP-24 (EDP))

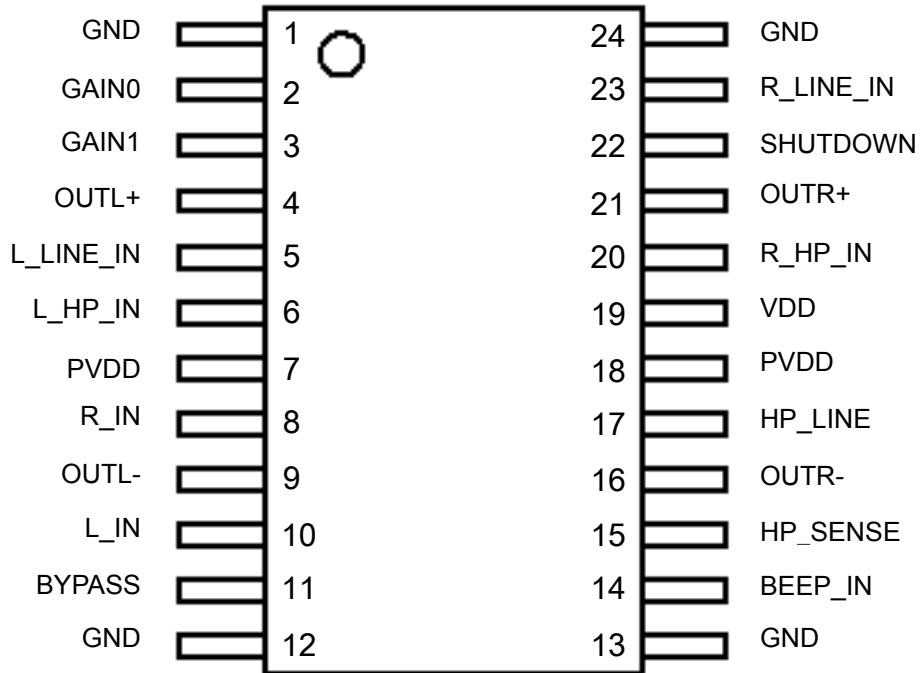


Figure 2. Pin Configuration of AA4006 (Top View)

**2.7W Stereo Audio Power Amplifier with 4 Selectable Gain Setups and Input MUX AA4006****Pin Description**

Pin Number	Pin Name	Function
1, 12, 13, 24	GND	Ground reference, it is better to connect with thermal pad
2	GAIN0	Internal gain setup 0, see table 1 below
3	GAIN1	Internal gain setup 1, see table 1 below
4	OUTL+	Left channel positive output
5	L_LINE_IN	Left channel line input
6	L_HP_IN	Left channel headphone input
7, 18	PVDD	Power supply for output stage
8	R_IN	Right channel common input for differential input, AC ground for single-ended input
9	OUTL-	Left channel negative output
10	L_IN	Left channel common input for differential input, AC ground for single-ended input
11	BYPASS	Internal reference voltage pin, connect a 1.0 $\mu$ F ceramic capacitor to GND
14	BEEP_IN	Beep signal input pin
15	HP_SENSE	SE, BTL mode switch pin, L - BTL mode, H - SE mode
16	OUTR-	Right channel negative output
17	HP_LINE	Headphone, line input select pin, L - line input, H - headphone input
19	VDD	Power supply for other analog circuit
20	R_HP_IN	Right channel headphone input
21	OUTR+	Right channel positive output
22	SHUTDOWN	Shutdown mode select, L - shutdown enable, H - shutdown disable, normal work
23	R_LINE_IN	Right channel line input

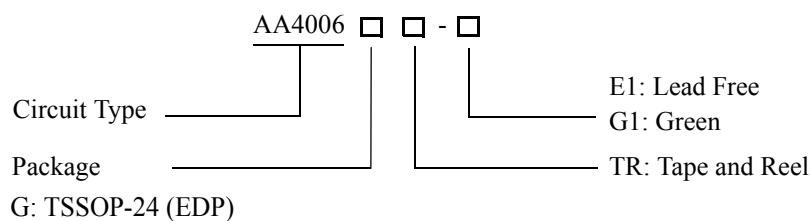


**2.7W Stereo Audio Power Amplifier with 4 Selectable Gain Setups and Input MUX AA4006**

**Table 1: Gain vs. Gain0, Gain1 Logic Level**

GAIN0	GAIN1	HP_SENSE	Mode	Gain
L	L	L	BTL	6dB
L	H	L	BTL	10dB
H	L	L	BTL	15.6dB
H	H	L	BTL	21.6dB
X	X	H	SE	4.1dB

**Ordering Information**



Package	Temperature Range	Part Number		Marking ID		Packing Type
		Lead Free	Green	Lead Free	Green	
TSSOP-24 (EDP)	-40 to 85°C	AA4006GTR-E1	AA4006GTR-G1	AA4006G	AA4006G-G1	Tape & Reel

BCD Semiconductor's Pb-free products, as designated with "E1" suffix in the part number, are RoHS compliant. Products with "G1" suffix are available in green packages.

**2.7W Stereo Audio Power Amplifier with 4 Selectable Gain Setups and Input MUX AA4006****Absolute Maximum Ratings (Note 1)**

Parameter	Symbol	Value	Unit
Supply Voltage	$V_{DD}$	6	V
Input Voltage	$V_{IN}$	-0.3 to $V_{DD} + 0.3$	V
Power Dissipation	$P_D$	Internally limited	
Package Thermal Resistance (Note 2)	$\theta_{JA}$	65	°C/W
Operating Junction Temperature	$T_J$	150	°C
Storage Temperature Range	$T_{STG}$	-65 to 150	°C
Lead Temperature (Soldering, 10 sec)	$T_{LEAD}$	260	°C
ESD (Human Body Model)		2000	V
ESD (Machine Model)		200	V

Note 1: Stresses greater than those listed under "Absolute Maximum Ratings" may cause permanent damage to the device. These are stress ratings only, and functional operation of the device at these or any other conditions beyond those indicated in the operation is not implied. Exposure to "Absolute Maximum Ratings" for extended periods may affect device reliability.

Note 2: Chip is soldered to 100mm<sup>2</sup> (4mm x 25mm) copper (top side solder mask) of 1oz. on PCB with 16 x 0.5mm vias.

**Recommended Operating Conditions**

Parameter	Symbol	Min	Max	Unit
Supply Voltage	$V_{DD}$	4.5	5.5	V
Operating Ambient Temperature	$T_A$	-40	85	°C

**Electrical Characteristics**

$P_{V_{DD}}=V_{DD}=5.0V$ , Gain = 6dB @ BTL mode, 4.1dB @ SE mode,  $T_A=25^\circ C$ ,  $f=1\text{ kHz}$ , 20 kHz Low pass filter, for SE mode,  $HP\_SENSE=5.0V$ , for BTL mode,  $HP\_SENSE=0V$ , unless otherwise specified.

Parameter		Symbol	Conditions	Min	Typ	Max	Unit
Quiescent Current		$I_{DD}$	SE mode, $V_{IN}=0$ , $I_O=0$		3.5	7	mA
			BTL mode, $V_{IN}=0$ , $I_O=0$		6.5	12	
Shutdown Current		$I_{SD}$	$V_{SHUTDOWN}=0V$		150	300	$\mu A$
High Logic Level	HP_SENSE, HP_LINE	$V_{IH}$		4.0			V
	GAIN0, GAIN1			3.0			V



**2.7W Stereo Audio Power Amplifier with 4 Selectable Gain Setups and Input MUX AA4006**

**Electrical Characteristics (Continued)**

$V_{DD}=5.0V$ , Gain = 6dB @ BTL mode, 4.1dB @ SE mode,  $T_A=25^{\circ}C$ ,  $f=1kHz$ , 20kHz low pass filter, for SE mode,  $HP\_SENSE=5.0V$ , for BTL mode,  $HP\_SENSE=0V$ , unless otherwise specified.

Parameter	Symbol	Conditions	Min	Typ	Max	Unit
High Logic Level	SHUTDOWN	$V_{IH}$	2.0			V
Low Logic Level	HP_SENSE, HP_LINE	$V_{IL}$			3.0	V
	GAIN0, GAIN1				2.0	V
	SHUTDOWN				0.8	V
Thermal Shutdown Temperature				165		$^{\circ}C$
Hysteresis Temperature Window				35		$^{\circ}C$
<b>BEEP</b>						
Input Amplitude	$V_{BP}$		2.5			$V_{P-P}$
Gain	$G_{BP}$	$C_{BP}=0.47\mu F$ , $f=1kHz$ , $D=50\%$ square wave form, $V_{BP}=3.3V_{P-P}$		0.3		V/V
<b>SE mode</b>						
Output Power	$P_O$	THD+N=1%, $R_L=32\Omega$		90		mW
		THD+N=10%, $R_L=32\Omega$		110		
		THD+N=1%, $R_L=16\Omega$		180		
		THD+N=10%, $R_L=16\Omega$		220		
Total Harmonic Distortion + Noise	THD+N	$P_O=75mW$ , $R_L=32\Omega$		0.03		%
Signal to Noise Ratio	S/N	$P_O=75mW$ , $R_L=32\Omega$		95		dB
Crosstalk	$X_{TALK}$	$f=1kHz$		-90		dB
Power Supply Rejection Ratio	PSRR	$C_b=1\mu F$ , $f=1kHz$ , $V_{RIPPLE}=0.2V_{RMS}$		60		dB
Output Noise	$V_{NO}$	$f=20Hz$ to $20kHz$ , $R_L=32\Omega$		20		$\mu V_{RM}$
<b>BTL mode</b>						
Output Offset Voltage		$V_{IN}=0V$ , no load		$\pm 5$	$\pm 25$	mV
Output Power	$P_O$	THD+N=1%, $R_L=3\Omega$		2.1		W
		THD+N=10%, $R_L=3\Omega$		2.7		
		THD+N=1%, $R_L=4\Omega$		1.8		
		THD+N=10%, $R_L=4\Omega$		2.3		
		THD+N=1%, $R_L=8\Omega$		1.2		
		THD+N=10%, $R_L=8\Omega$		1.5		
Total Harmonic Distortion + Noise	THD+N	$P_O=1W$ , $R_L=4\Omega$		0.08		%
Signal to Noise Ratio	S/R	$P_O=1W$ , $R_L=4\Omega$		100		dB
Crosstalk	$X_{TALK}$	$f=1kHz$		-100		dB
Power Supply Rejection Ratio	PSRR	$C_b=1\mu F$ , $f=1kHz$ , $V_{RIPPLE}=0.2V_{RMS}$		70		dB
Output Noise	$V_{NO}$	$f=20Hz$ to $20kHz$ , $R_L=8\Omega$		18		$\mu V_{RM}$



**2.7W Stereo Audio Power Amplifier with 4 Selectable Gain Setups and Input MUX AA4006**

**Typical Performance Characteristics**

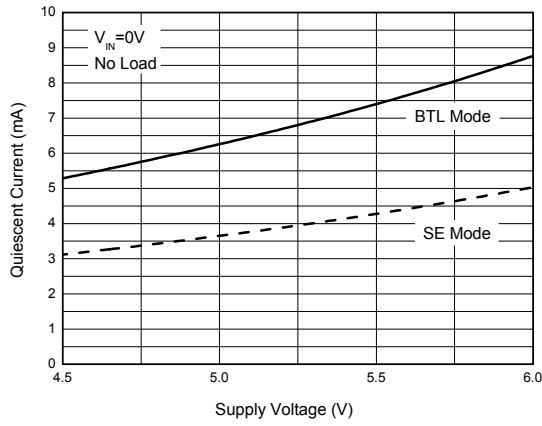


Figure 3. Quiescent Current vs. Supply Voltage

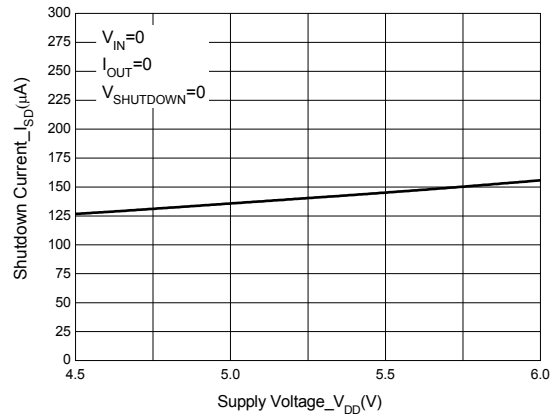


Figure 4. Shutdown Current vs. Supply Voltage

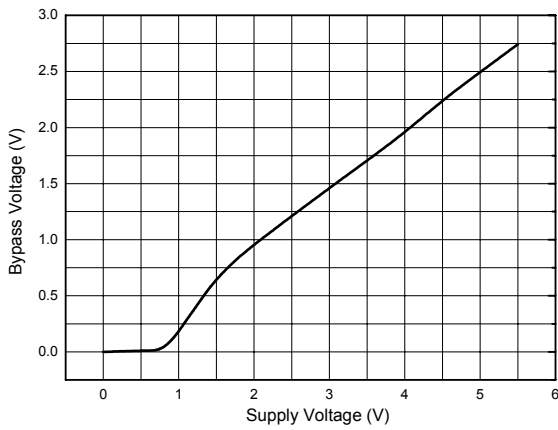


Figure 5. Bypass Voltage vs. Supply Voltage

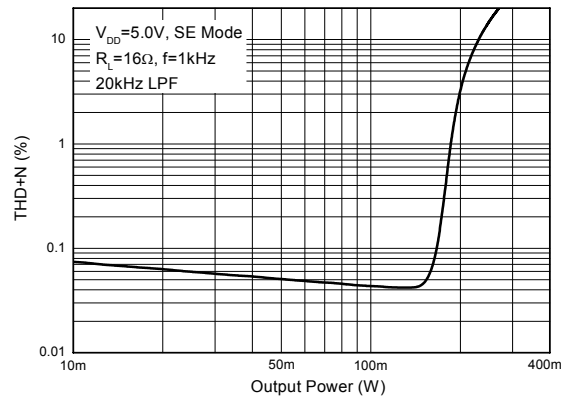


Figure 6. THD+N vs. Output Power





**2.7W Stereo Audio Power Amplifier with 4 Selectable Gain Setups and Input MUX AA4006**

**Typical Performance Characteristics (Continued)**

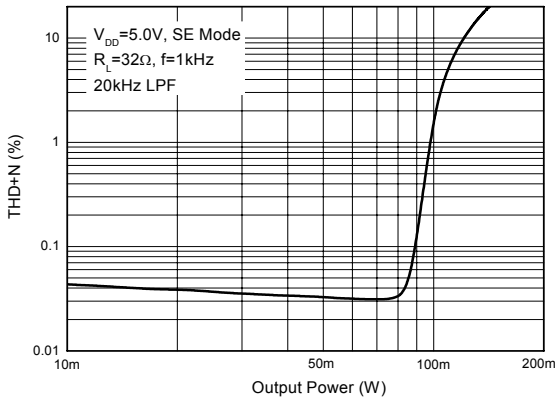


Figure 7. THD+N vs. Output Power

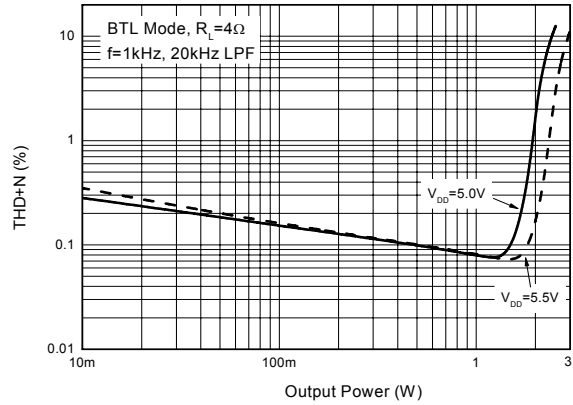


Figure 8. THD+N vs. Output Power

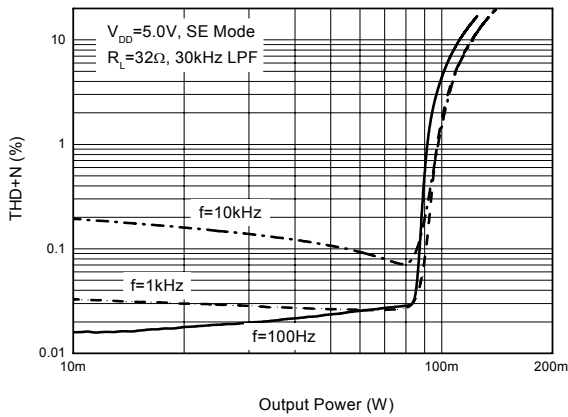


Figure 9. THD+N vs. Output Power

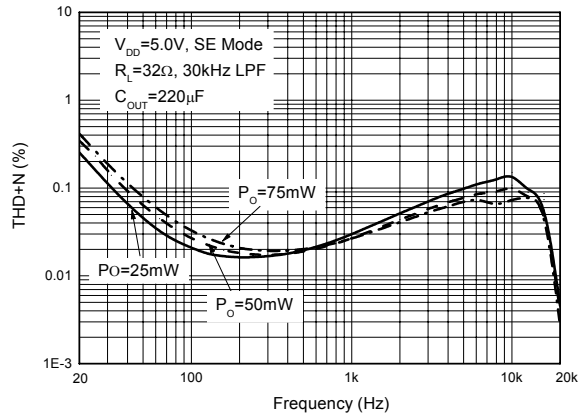


Figure 10. THD+N vs. Frequency



**2.7W Stereo Audio Power Amplifier with 4 Selectable Gain Setups and Input MUX AA4006**

**Typical Performance Characteristics (Continued)**

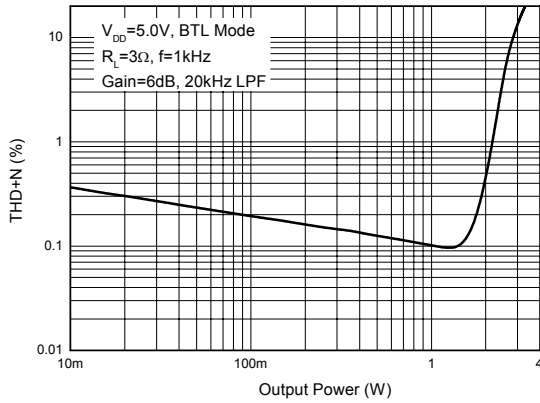


Figure 11. THD+N vs. Output Power

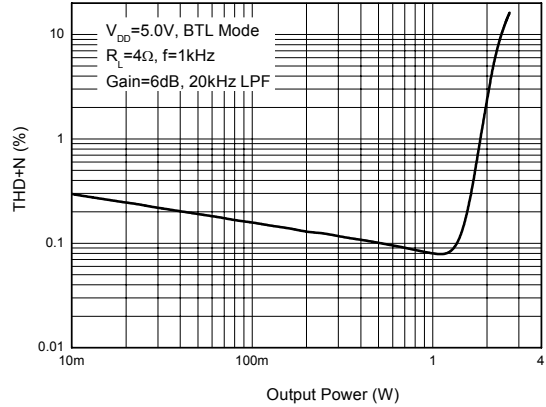


Figure 12. THD+N vs. Output Power

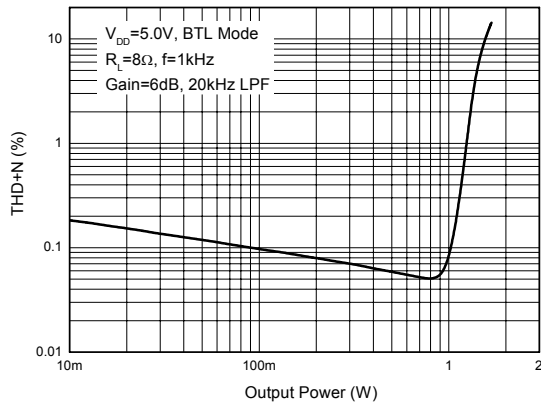


Figure 13. THD+N vs. Output Power

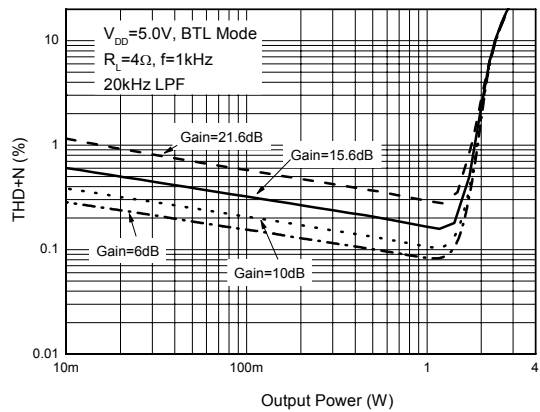


Figure 14. THD+N vs. Output Power



**2.7W Stereo Audio Power Amplifier with 4 Selectable Gain Setups and Input MUX AA4006**

**Typical Performance Characteristics (Continued)**

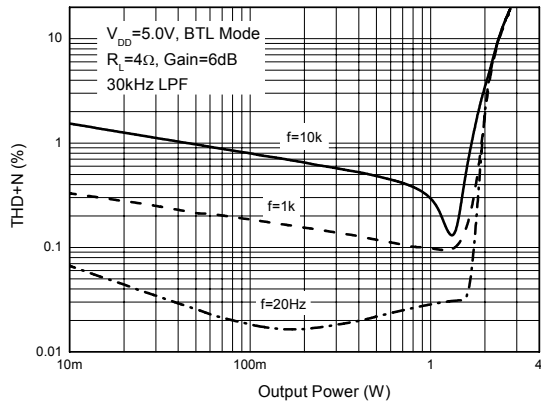


Figure 15. THD+N vs. Output Power

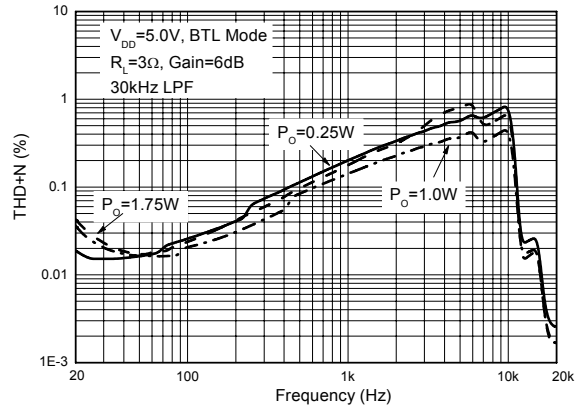


Figure 16. THD+N vs. Frequency

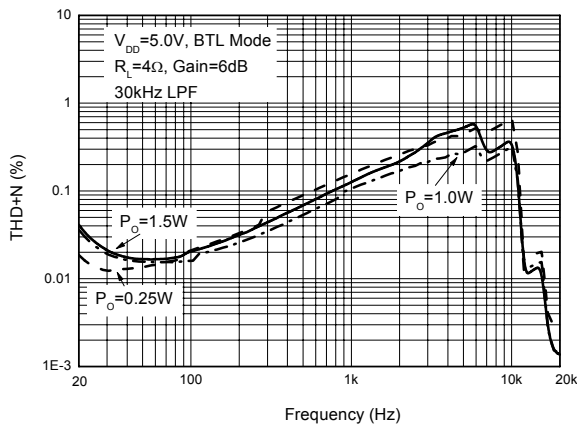


Figure 17. THD+N vs. Frequency

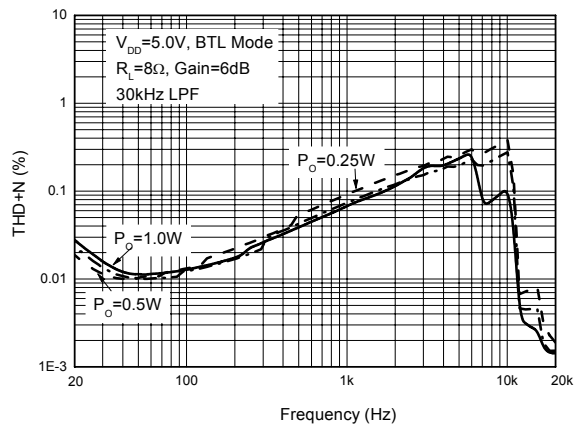


Figure 18. THD+N vs. Frequency



**2.7W Stereo Audio Power Amplifier with 4 Selectable Gain Setups and Input MUX AA4006**

**Typical Performance Characteristics (Continued)**

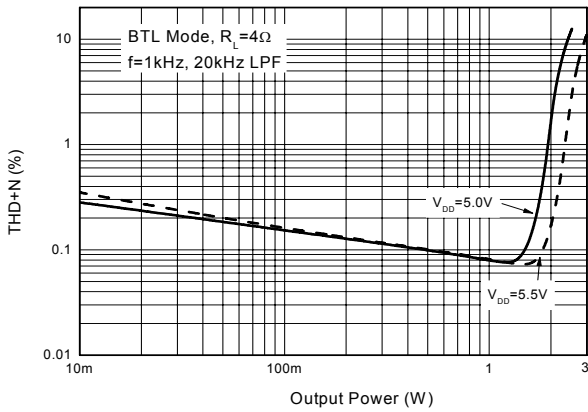


Figure 19. THD+N vs. Output Power

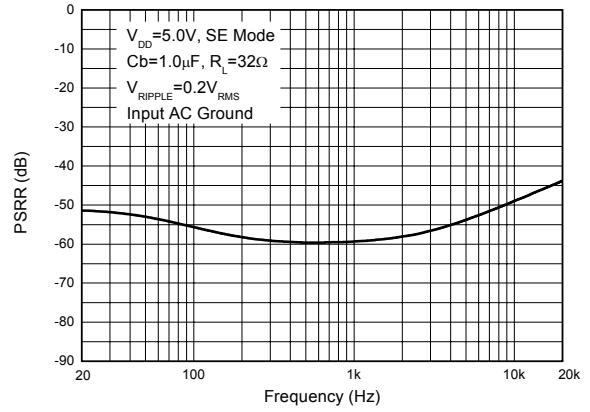


Figure 20. PSRR vs. Frequency

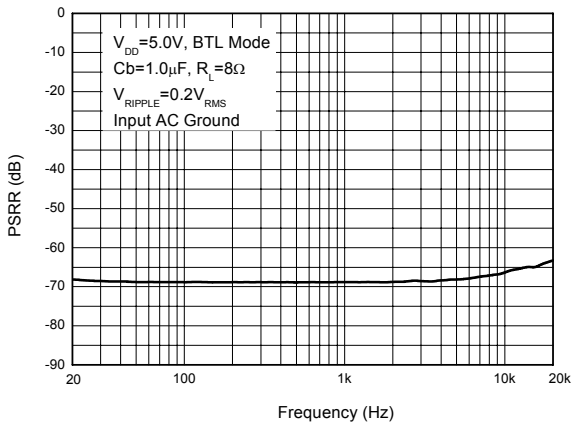


Figure 21. PSRR vs. Frequency

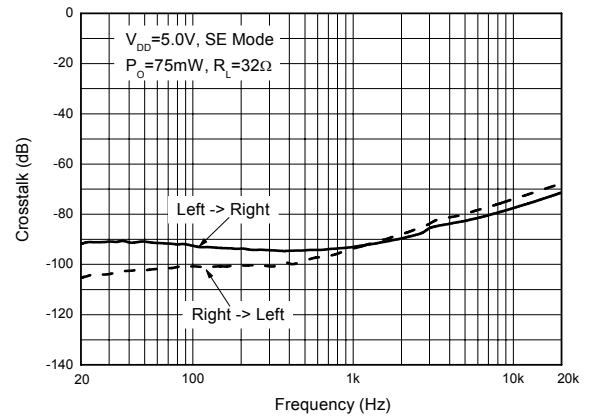


Figure 22. THD+N vs. Frequency



**2.7W Stereo Audio Power Amplifier with 4 Selectable Gain Setups and Input MUX AA4006**

**Typical Performance Characteristics (Continued)**

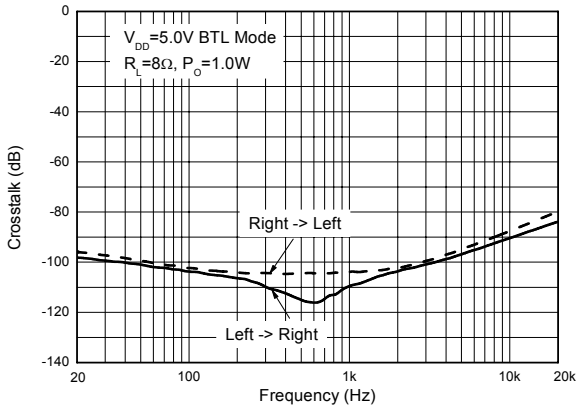


Figure 23. Crosstalk vs. Frequency

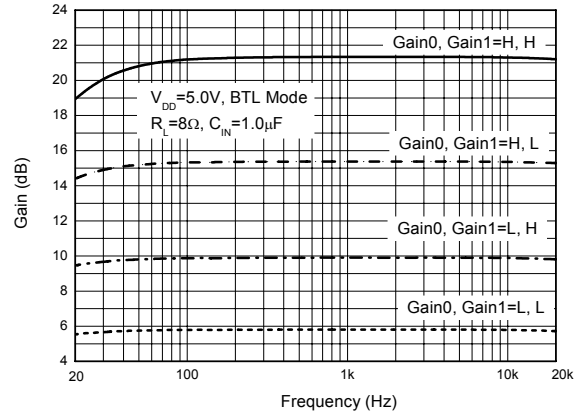


Figure 24. Gain vs. Frequency

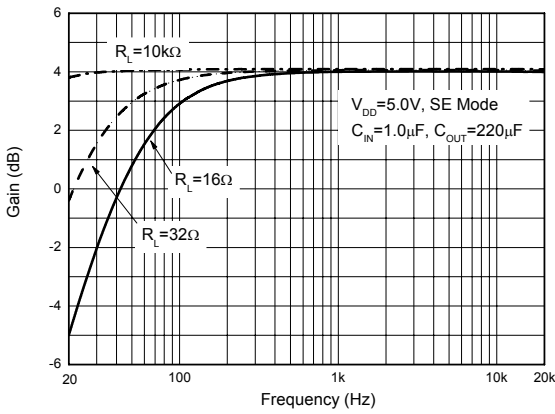


Figure 25. Gain vs. Frequency

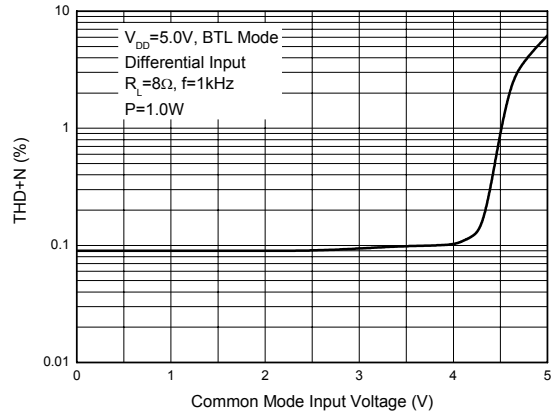


Figure 26. THD+N vs. Common Mode Input Voltage



**2.7W Stereo Audio Power Amplifier with 4 Selectable Gain Setups and Input MUX AA4006**

**Typical Performance Characteristics (Continued)**

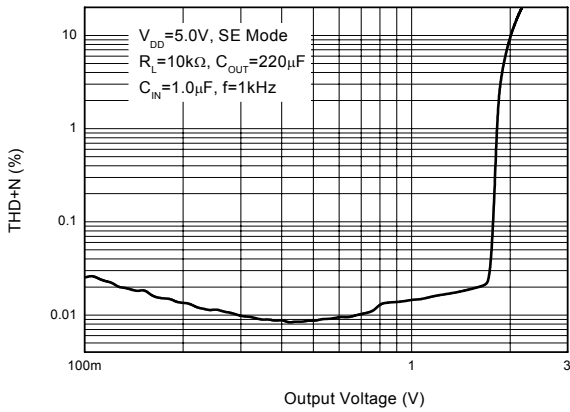


Figure 27. THD+N vs. Output Voltage

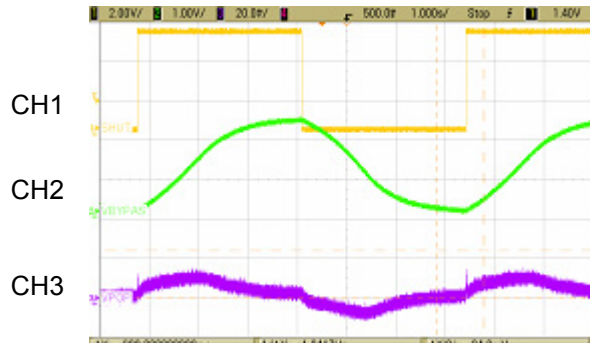


Figure 28. Pop Noise at SE Mode  
( $V_{DD}=5V$ , SE Mode,  $R_L=32\Omega$ ,  $C_b=1.0\mu F$ ,  $C_{IN}=0.47\mu F$ ,  $C_{OUT}=220\mu F$ , CH1= $V_{SHUTDOWN}$ , CH2= $V_{BYPASS}$ , CH3= $V_{OUT}$  at  $R_L$ )

**2.7W Stereo Audio Power Amplifier with 4 Selectable Gain Setups and Input MUX AA4006**

**Application Information**

**SE/BTL Mode, HP\_SENSE Pin**

The AA4006 can operate under 2 types of output configuration, SE (Single-Ended) mode and BTL (Bridged Tied Load) mode, determined by HP\_SENSE pin's logic level. (Here is the discussion about left channel only, it can equally apply to right channel.)

When HP\_SENSE pin is held low which sets the chip in BTL mode, both AMP1 and AMP2 are turned on. AMP2 has the same gain with AMP1 except 180 degree phase shift. Because the DC component (output bias voltage from AMP1 and AMP2, approx.  $1/2 V_{DD}$ ) between OUT+ and OUT- is canceled, there is no necessity to use DC block capacitors for speaker load. In BTL mode, output voltage swing across load is about 2 times that in SE mode, so there is about 4 times output power compared to SE mode with same load and input. (See Figure 29)

If applying high level to HP\_SENSE pin which sets the chip in SE mode, AMP2 unit is turned off with high impedance. There is no current loop between OUT+ and OUT-, the speaker is naturally disabled without any hardware change. The output audio signal rides on bias voltage at OUT+ (output bias voltage from AMP1 and AMP2, approx.  $1/2 V_{DD}$ ), so it has to use a capacitor  $C_{OUT}$  to block DC bias voltage and couple AC signal to headphone load.

It is recommended to connect HP\_SENSE to the headphone jack switch pin illustrated in Figure 29. When headphone plug is not inserted, the voltage of HP\_SENSE pin is determined by voltage divider formed by  $R_L$  and  $R_{12}$ . For given resistors' value in Figure 29,  $R_L=1k\Omega$ ,  $R_{12}=100k\Omega$  (Assuming  $V_{DD}=5.0V$ ), DC voltage at HP\_SENSE node is about 49.5mV. AC signal equals output amplitude of OUT+ through  $C_{OUT}$ , the maximum peak-peak voltage is no greater than  $V_{DD}$ , so the positive maximum voltage of HP\_SENSE node will be no greater than  $2.5V+49.5mV=2.55V$ (DC voltage plus AC voltage), which is less than HP\_SENSE input high level minimum value (4.0V). That means the chip works in BTL mode reliably and there is no risk of operation mode switch between SE and BTL. When headphone plug is inserted, as the  $R_L$  is disconnected from  $R_{12}$ , the voltage of HP\_SENSE pin is pulled up by  $R_{12}$  to  $V_{DD}$  sets the chip in SE mode.

HP\_SENSE pin can also be connected to MCU I/O port directly to switch the operation mode between SE and BTL.

**Input MUX, Single-Ended Input and Differential Input**

The AA4006 offers the capability to use 2 individual stereo inputs: headphone input and line input. For a single-ended input, the common input terminal pins (L\_IN, R\_IN) should be connected to ground through a

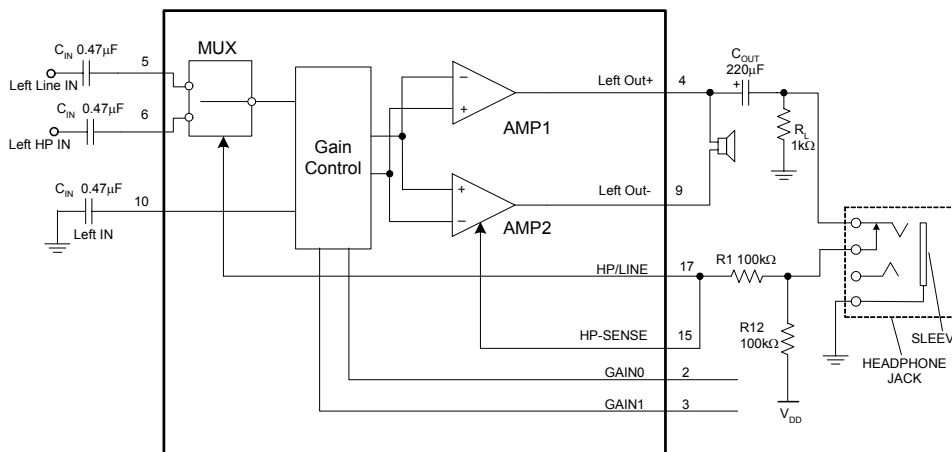


Figure 29. Input MUX and Output Configuration for Left Channel

**2.7W Stereo Audio Power Amplifier with 4 Selectable Gain Setups and Input MUX AA4006**

**Application Information (Continued)**

capacitor, also the size of  $C_{LIN}$  ( $C_{RIN}$ ) has to be the same as  $C_{LLIN}$  ( $C_{RLIN}$ ),  $C_{LHPIN}$  ( $C_{RHPIN}$ ). Line input and headphone input are selected by switching HP\_LINE pin. When HP\_LINE is pulled high, the headphone input ( $L_{HP\_IN}$ ,  $R_{HP\_IN}$ ) is selected. When HP\_LINE is held low, the line input ( $L_{LINE\_IN}$ ,  $R_{LINE\_IN}$ ) is selected. If the input signals are differential, only one stereo signal is permitted because share common input terminal pin ( $L_{IN}$ ,  $R_{IN}$ ), both headphone input and line input can be formed into differential pair with common input terminal. (See Figure 31)

With differential input configuration, the input coupling capacitors of differential pair can be removed if DC bias voltage of input source is within input common-mode voltage range, refer to Figure 26.

**$C_{IN}$ ,  $C_{OUT}$ ,  $C_b$  and  $C_s$  (Power Supply) Selection**

Although there is no necessary to use input coupling capacitors in differential input if DC voltage of input is within common-mode input voltage range. The

AA4006 allows using input capacitors  $C_{IN}$  to accommodate different DC level between input source (like Audio D-A converter) and bias voltage (about  $1/2 V_{DD}$ ), especially in single-ended input mode which is popularly used in most applications. Input stage of AA4006 is illustrated as Figure 33, it is a full differential architecture, which consists of input resistor,  $R_{IN}$  and feedback resistor,  $R_{FB}$ .

In SE mode, pass-band gain is,

$$GAIN_{SE} = \frac{R_{FB}}{R_{IN}} \dots\dots\dots(1)$$

In BTL mode, pass-band gain is,

$$GAIN_{BTL} = 2 * \frac{R_{FB}}{R_{IN}} \dots\dots\dots(2)$$

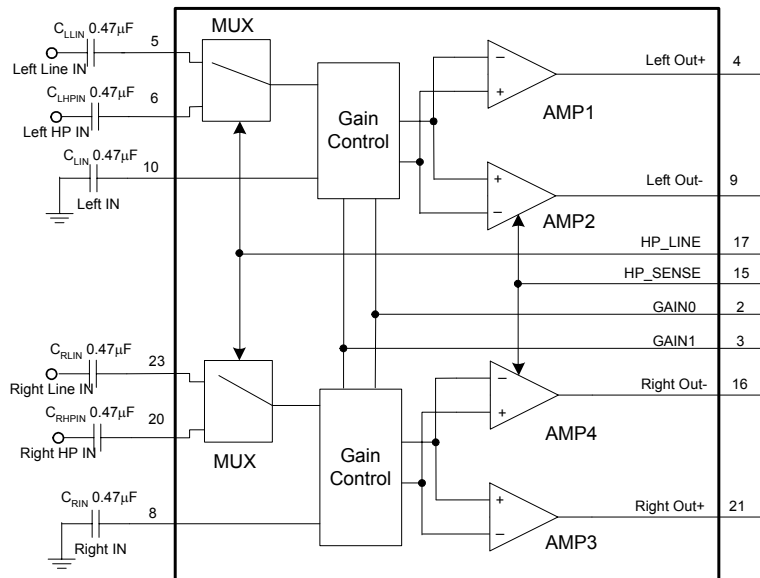
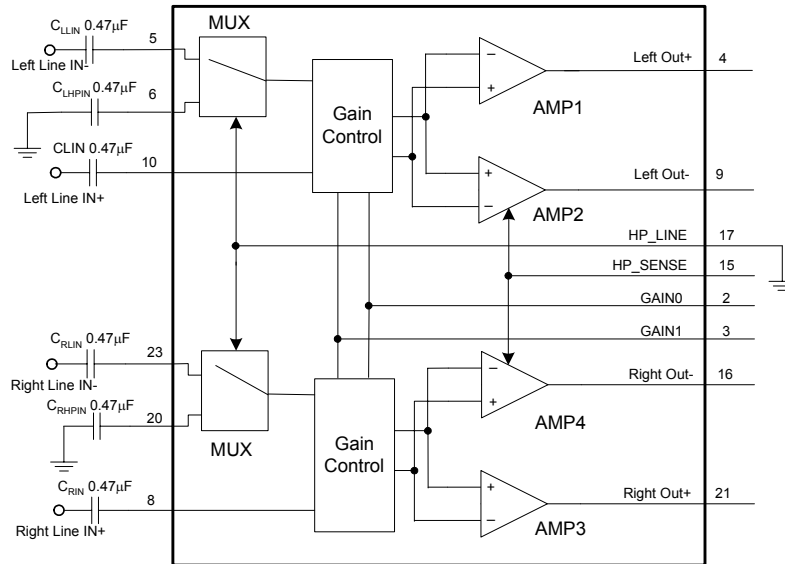


Figure 30. Single-Ended Input

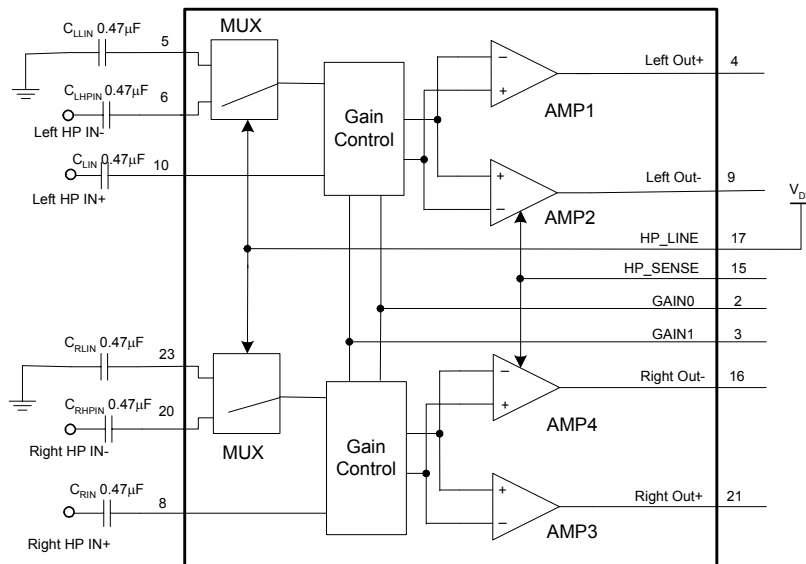


**2.7W Stereo Audio Power Amplifier with 4 Selectable Gain Setups and Input MUX AA4006**

**Application Information (Continued)**



A) Using LINE\_IN

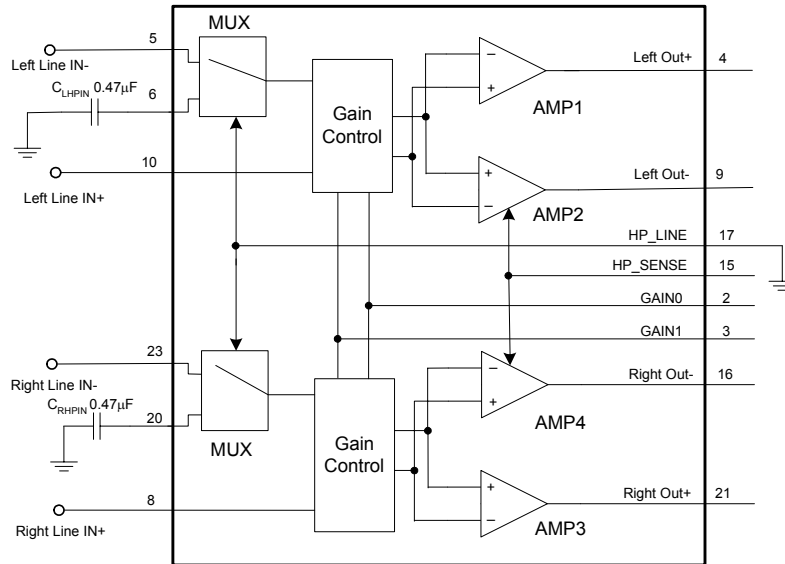


B) Using HP\_IN

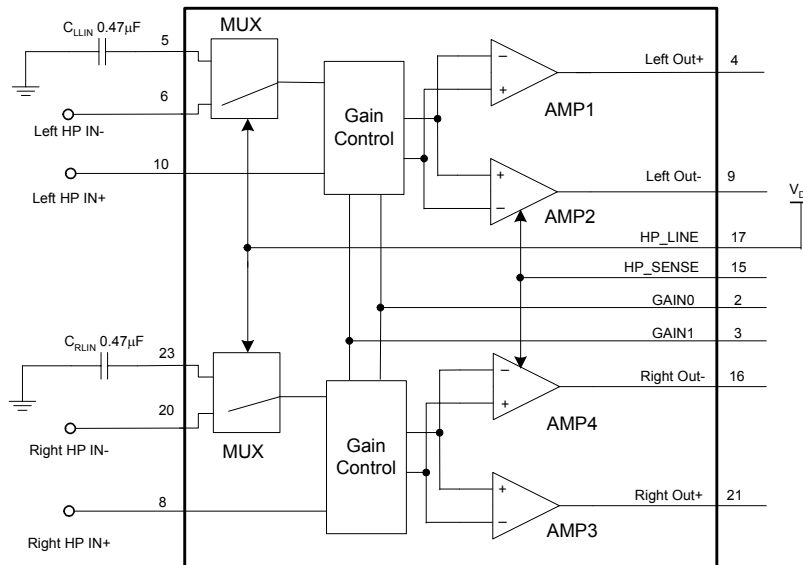
Figure 31. Differential Input with Input Coupling Capacitors

**2.7W Stereo Audio Power Amplifier with 4 Selectable Gain Setups and Input MUX AA4006**

**Application Information (Continued)**



A) Using LINE\_IN



B) Using HP\_IN

Figure 32. Differential Input without Input Coupling Capacitors

**2.7W Stereo Audio Power Amplifier with 4 Selectable Gain Setups and Input MUX AA4006**

**Application Information (Continued)**

The typical input resistance, feedback resistance of AA4006 at each gain setting are showed in the table below.

GAI N0	GAI N1	HP_S ENSE	GAIN (dB)	R <sub>IN</sub> (Ω)	R <sub>FB</sub> (Ω)
0	0	0	6	90	90
0	1	0	10	70	110
1	0	0	15.6	45	135
1	1	0	21.6	25	154
x	x	1	4.1	70	110

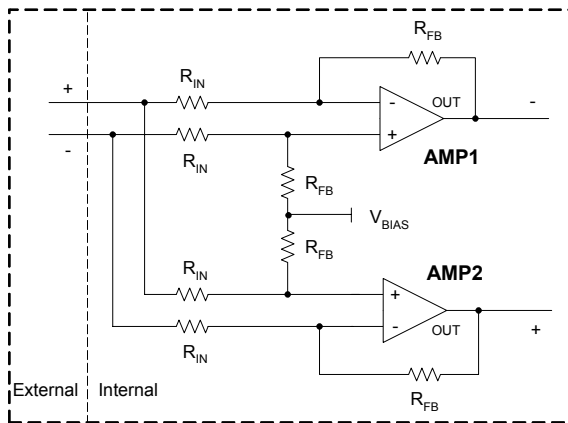
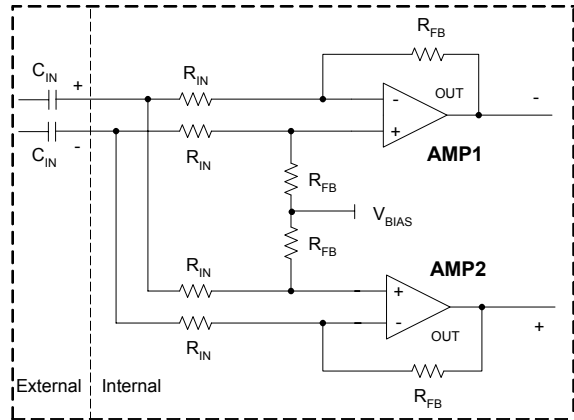


Figure 33. Full Differential Input Stage of AA4006

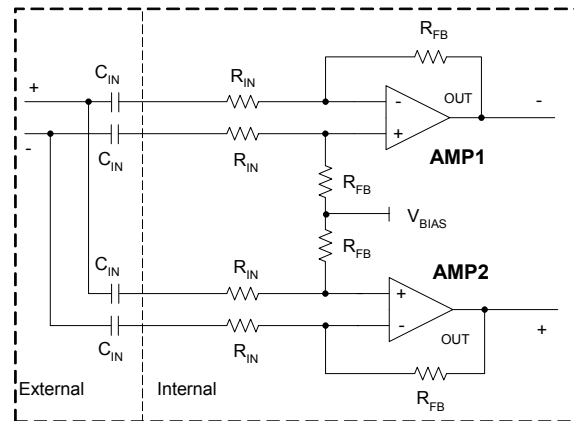
Input capacitors C<sub>IN</sub> and input resistors R<sub>IN</sub> form a first order High Pass Filter, which determines the lower corner frequency according to the equation below.

$$f_{cl} = \frac{2}{2\pi R_{IN} * C_{IN}} \dots\dots\dots(3)$$

It is a little different from the classic equation according to Figure 34.



A) AA4006 Input Configuration with Input Capacitor



B) Classic Input Configuration with Input Capacitor

Figure 34. Input Configuration with Input Capacitor, C<sub>IN</sub>

Input resistance varies with gain setting, also the absolute resistance of R<sub>IN</sub> may drift ± 20% due to fab process. To ensure the minimum cut-off frequency within the audible range, the input capacitor (C<sub>IN</sub>) has to be greater than 0.33μF. The low ESR ceramic capacitor of 0.47μF is recommended. See Figure 35 for frequency response using 0.47μF C<sub>IN</sub>. However, using bigger size of C<sub>IN</sub> will affect pop noise of AA4006.

If using an external resistor R<sub>EXT</sub> in series with input capacitor C<sub>IN</sub>, the closed-loop gain and cut-off frequency can be calculated by equations below.

**2.7W Stereo Audio Power Amplifier with 4 Selectable Gain Setups and Input MUX AA4006**

**Application Information (Continued)**

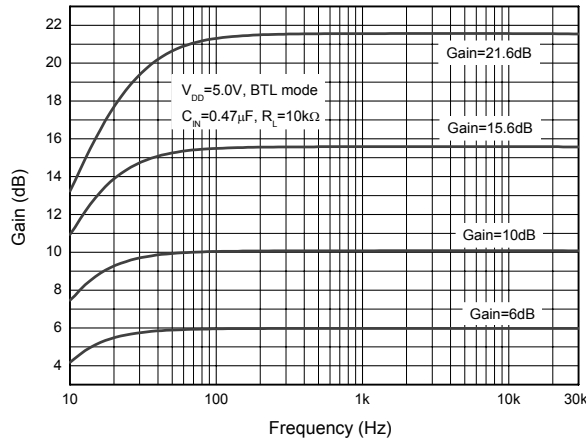


Figure 35. Frequency Response Using 0.47mF Input Capacitor

$$GAIN_{BTL} = 2 * \frac{R_{FB}}{2 * R_{EXT} + R_{IN}} \dots\dots\dots(4)$$

$$f_{CL} = \frac{2}{2\pi(2R_{EXT} + R_{IN})C_{IN}} \dots\dots\dots(5)$$

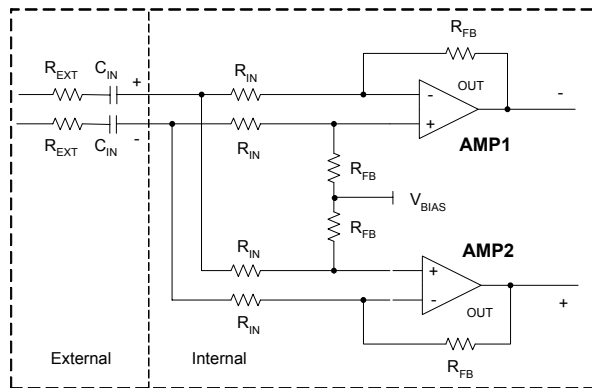


Figure 36. Using an External Resistor, R<sub>EXT</sub> in Series with Input Capacitor, C<sub>IN</sub>

Similarly, for output stage in SE mode, output capacitor (C<sub>OUT</sub>) and headphone load (R<sub>HP</sub>) also form a first order High Pass Filter, and its lower cut-off frequency is determined by equation 6.

$$f_{COL} = \frac{1}{2\pi R_{HP} * C_{OUT}} \dots\dots\dots(6)$$

C <sub>OUT</sub> (µF)	Headphone Load (Ω)	Lower Cut-off Frequency (Hz)
220	16	45.2
220	32	22.6
330	16	30
330	32	15

The purpose of the bypass capacitor (C<sub>b</sub>) is to filter noise, reduce total harmonic distortion plus noise, and improve power supply rejection ratio performance. Tantalum or ceramic capacitor of 1.0µF with low ESR is recommended, and it should be placed as close as possible to the chip in PCB layout. This capacitor affects the pop noise performance furthest by changing the ramp of charge and/or discharge.

The below table shows output noise in each gain under the condition of 1.0µF bypass capacitor. Unit: µVrms.

		Filter: 22Hz ~ 22kHz	A- Weight ed Filter
SE mode	C <sub>OUT</sub> =220µF, R <sub>L</sub> =16Ω	22	16
	C <sub>OUT</sub> =220µF, R <sub>L</sub> =32Ω	23	17
BTL mode	R <sub>L</sub> = 4Ω	Gain0, Gain1 = 0, 0	18.5
		Gain0, Gain1 = 0, 1	23
		Gain0, Gain1 = 1, 0	32
		Gain0, Gain1 = 1, 1	46.5
	R <sub>L</sub> = 8Ω	Gain0, Gain1 = 0, 0	19
		Gain0, Gain1 = 0, 1	24
		Gain0, Gain1 = 1, 0	33.5
		Gain0, Gain1 = 1, 1	52

**2.7W Stereo Audio Power Amplifier with 4 Selectable Gain Setups and Input MUX AA4006****Application Information (Continued)**

For AA4006 power supply, it is better to use an individual power source generated from voltage regulator split from video, digital circuit units in system. For power supply bypass capacitor ( $C_S$ ), it is recommended to use one low ESR electrolytic or tantalum capacitor from 4.7 $\mu$ F to 10 $\mu$ F in parallel with 0.1 $\mu$ F ceramic capacitor which is located close to the chip.

**Shutdown**

AA4006 has a shutdown feature to reduce power consumption during non-use operation. If apply low level to shutdown pin, output amplifiers, bias circuit will be turned off, the current drawn from  $V_{DD}$  is about 100 $\mu$ A. However, the Beep Detect circuitry is always ready to give alert on speaker load once apply any valid signal into BEEP\_IN pin. The SHUTDOWN pin should be pulled high during normal operation, and it should never be left floating to prevent the unpredictable status of the chip.

However, the music signal will be output instantly once the SHUTDOWN pin is applied to logic level from low to high. When the SHUTDOWN pin changes from high to low, output will be present until bias voltage drops to approx 0.1V. See Figure 37 for time relationship between shutdown, bias voltage and output.

**Optimizing Click/Pop Noise**

The AA4006 includes optimized circuits to suppress Click/Pop noise during power up/power down transition.

In BTL mode, AA4006 can reduce most common mode signal also including Click/Pop noise due to symmetrical output.

In SE mode, optimized ramp for rise/fall edge of bias can significantly reduce Click/Pop noise generated by output capacitor ( $C_{OUT}$ ) charge and/or discharge. Smoothing rise/fall edge of DC bias voltage is a quite important method. Another way is to prolong charge/discharge time which can shape power spectrum of output, and this makes some frequencies outside of the human audible range (20Hz to 20 kHz). So external

components (including  $C_b$ ,  $C_{IN}$ ,  $C_{OUT}$  and headphone load) will affect pop noise performance. The recommended components are,  $C_b=1.0\mu$ F,  $C_{IN}=0.47\mu$ F,  $C_{OUT}=220\mu$ F, 32 $\Omega$  for headphone load. Under given conditions, the maximum peak-peak voltage of pop noise is less than 15mV(See Figure 28). If using 16 $\Omega$  headphone, the voltage of pop noise will decrease accordingly.

**Beep Input**

Beep input feature is used in computer system for alerting. A beep signal can be sent directly from a computer. If peak-peak voltage of beep signal applied to BEEP\_IN pin (pin14) exceeds a certain voltage (typical 1/2  $V_{DD}$ ), the feature will be activated automatically, then AA4006 will be forced in BTL mode with the fixed gain of 0.3V/V, both LINE\_IN and HP\_IN are deselected, the logic level of HP\_SENSE, HP\_LINE, GAIN0, GAIN1 and SHUTDOWN is ignored. Once beep signal is removed from the chip, the AA4006 will return to the previous operation mode, gain settings.

The preferred beep signal is a square wave or pulse train, the preferred input is DC-coupled. If using AC-coupled, assuming beep input capacitor is 0.47 $\mu$ F, the input voltage is 3.3 Vp-p square wave, the beep signal should have a minimum of 10 cycles.

**Power Dissipation, Efficiency and Thermal Design Consideration**

For Class AB amplifiers, equation 7 is the basic equation of efficiency worked in BTL mode,

$$\eta = \frac{\pi V_p}{4V_{DD}} \dots\dots\dots(7)$$

Here  $V_p$  is output peak voltage across the load.

Thermal dissipation becomes major concern when delivering more power into speaker especially in BTL mode. The maximum allowed power dissipation can be calculated by equation below which is determined by thermal resistance of AA4006 package.



**2.7W Stereo Audio Power Amplifier with 4 Selectable Gain Setups and Input MUX AA4006**

**Application Information (Continued)**

$$P_{DMAX} = \frac{T_{JMAX} - T_A}{\theta_{JA}} \dots\dots\dots(8)$$

Here  $T_{JMAX}$  is maximum operating junction temperature of 150°C,  $T_A$  is ambient temperature,  $\theta_{JA}$  is thermal resistance from junction to ambient. For TSSOP-24(EDP) package, it is 65°C/W given in datasheet.

Assuming  $T_A$  is 25°C, the maximum allowed power dissipation is about 1.92W according to equation 8.

There is another equation about power dissipation which is determined by power supply voltage and load resistance under a certain application.

$$P_{DBTL} = 2 * \left( \frac{2V_P * V_{DD}}{\pi R_L} - \frac{V_P^2}{2R_L} \right) + V_{DD} * I_{DD} \dots\dots(9)$$

The above equation expresses total power dissipation, dominated by dual channels, quiescent current. It is a quadratic equation with the negative coefficient of output voltage variation ( $V_P$ ), there is always a maximum showed as below.

$$P_{DBTLMAX} = \frac{4V_{DD}^2}{\pi^2 R_L} + V_{DD} * I_{DD} \dots\dots\dots(10)$$

If power dissipation calculated by application is larger than the package permitted, it is necessary to use larger copper plane under the chip, or assemble an additional heat sink, or use forced-air cooling to keep ambient temperature around the chip low, or increase load resistance, or decrease power supply voltage.

For example, assuming  $V_{DD}=5.0V$ , speaker load  $R_{SP}=4.0\Omega$ , stereo in BTL mode, the maximum power dissipation, includes 2 channels, plus quiescent power dissipation, dominated by quiescent current.

$$\begin{aligned}
 P_{DBTLMAX} &= \frac{4V_{DD}^2}{\pi^2 R_L} + V_{DD} * I_{DD} \\
 &= \frac{4 * 5^2}{\pi^2 * 4} + 5.0 * 0.0065 \\
 &= 2.56W
 \end{aligned}$$

That is to say, to make sure AA4006 can output power into stereo 4Ω speakers continuously, the maximum ambient temperature should be no more than,

$$\begin{aligned}
 T_A &= T_{JMAX} - \theta_{JA} * P_{DT} \\
 &= 150 - 65 * 2.56 \\
 &= 16.4°C
 \end{aligned}$$

The maximum power dissipation is achieved only when output power per-channel equals  $2 * V_{DD}^2 / \pi * R_{SP}$ . If actual output power is not this data, power dissipation will be less than 2.56W.

When junction temperature exceeds about 165°C, OTSD feature will be enabled, that turns off output amplifiers to prevent damaging the chip. Once junction temperature drops lower than 130°C, the chip will work again automatically.

There is an exposed thermal pad on the bottom of the chip to provide the direct thermal path from die to heat sink. It is recommended to use copper on the surface of Printed Circuit Board (PCB) as heat sink. To dig some matrix regular holes under chip, remove mask of this area copper, and make sure to keep them contact well when soldering on PCB are also recommended.(See Figure 38)

**Recommended PCB Layout**

Using wide traces for power supply, BTL outputs to reduce power losses caused by parasitic resistance is recommended. It is also recommended to place bypass capacitor, and power supply decouple capacitor as close as possible to the chip.

**2.7W Stereo Audio Power Amplifier with 4 Selectable Gain Setups and Input MUX AA4006**

**Application Information (Continued)**

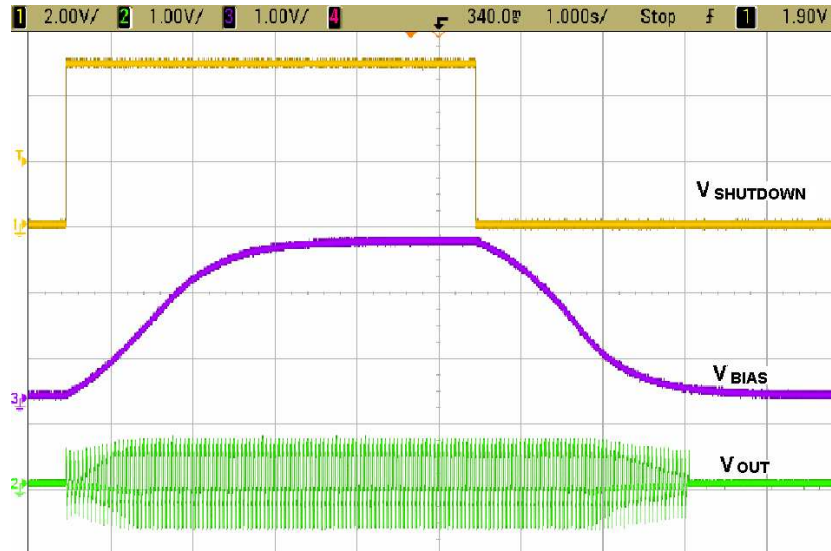


Figure 37. Time Chart for  $V_{SHUTDOWN}$ ,  $V_{BIAS}$  and  $V_{OUT}$

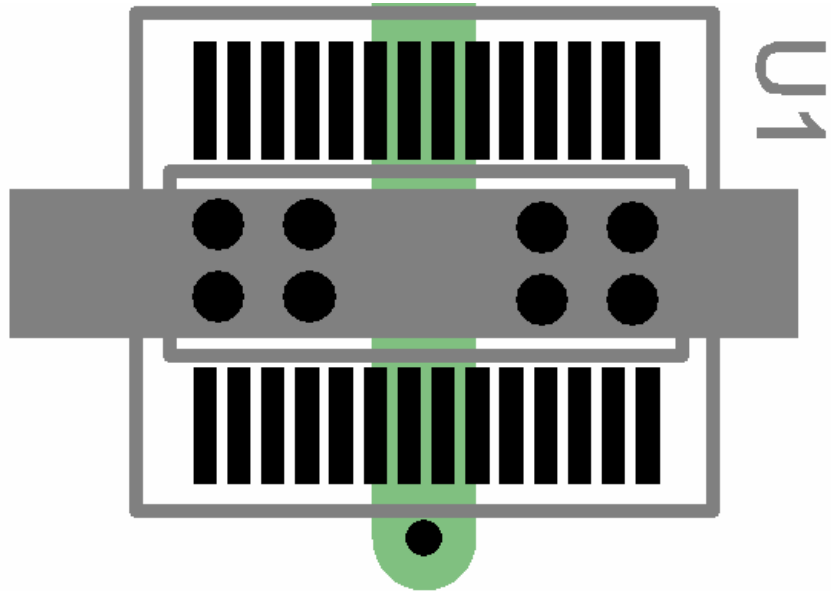


Figure 38. Recommended PCB Layout for Heat Sink



2.7W Stereo Audio Power Amplifier with 4 Selectable Gain Setups and Input MUX AA4006

Application Information (Continued)

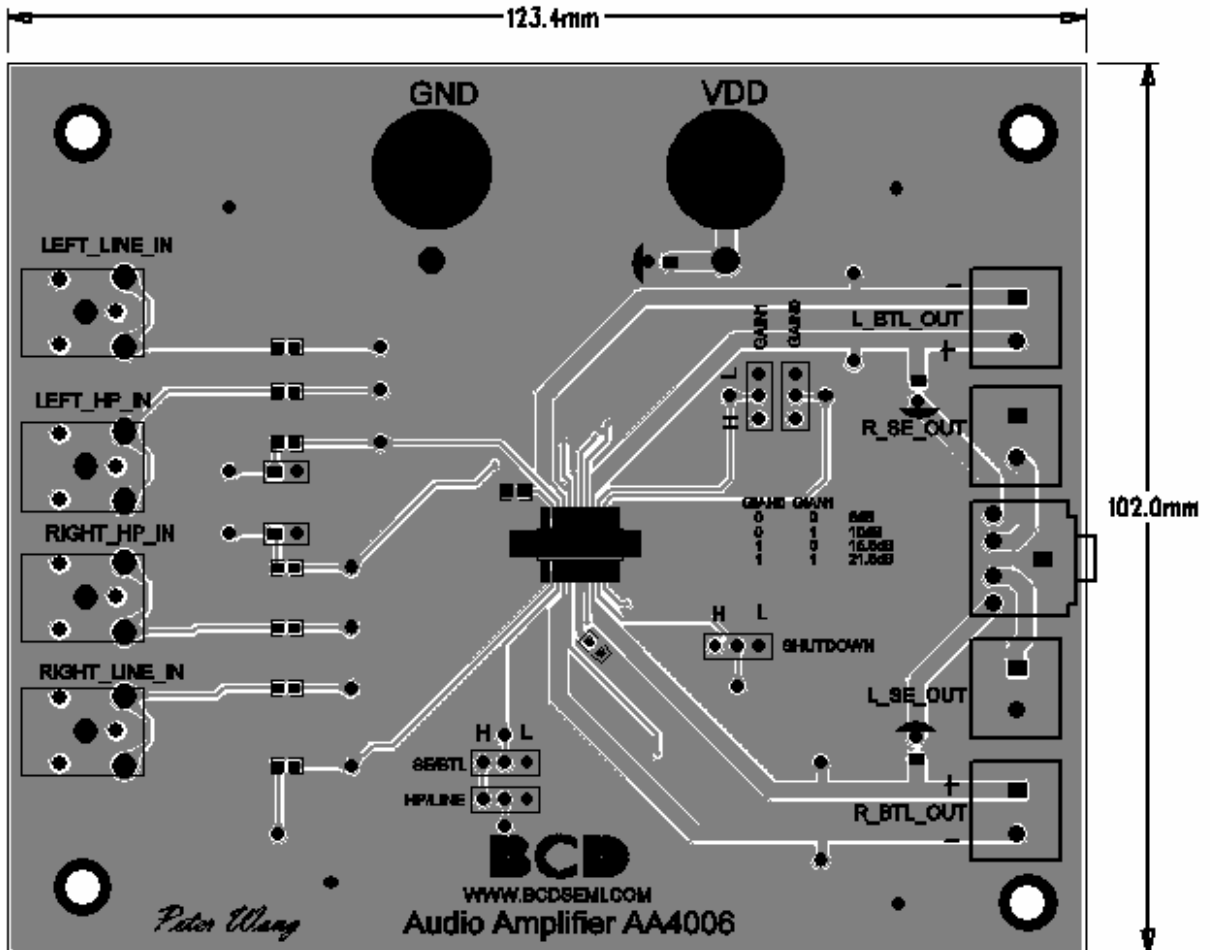


Figure 39. Top Route and Copper



**2.7W Stereo Audio Power Amplifier with 4 Selectable Gain Setups and Input MUX AA4006**

**Application Information (Continued)**

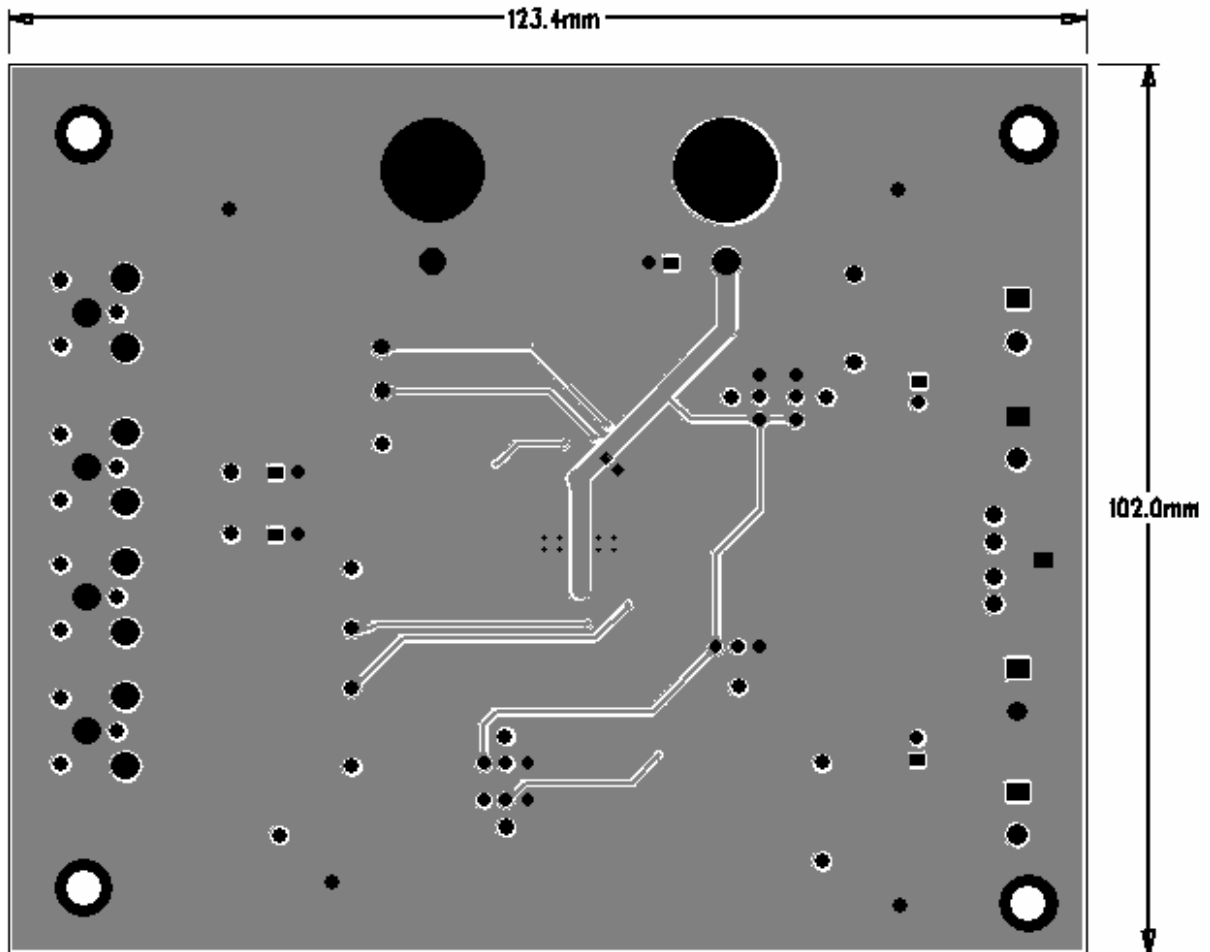


Figure 40. Bottom Route and Copper

**2.7W Stereo Audio Power Amplifier with 4 Selectable Gain Setups and Input MUX AA4006**

**Typical Application**

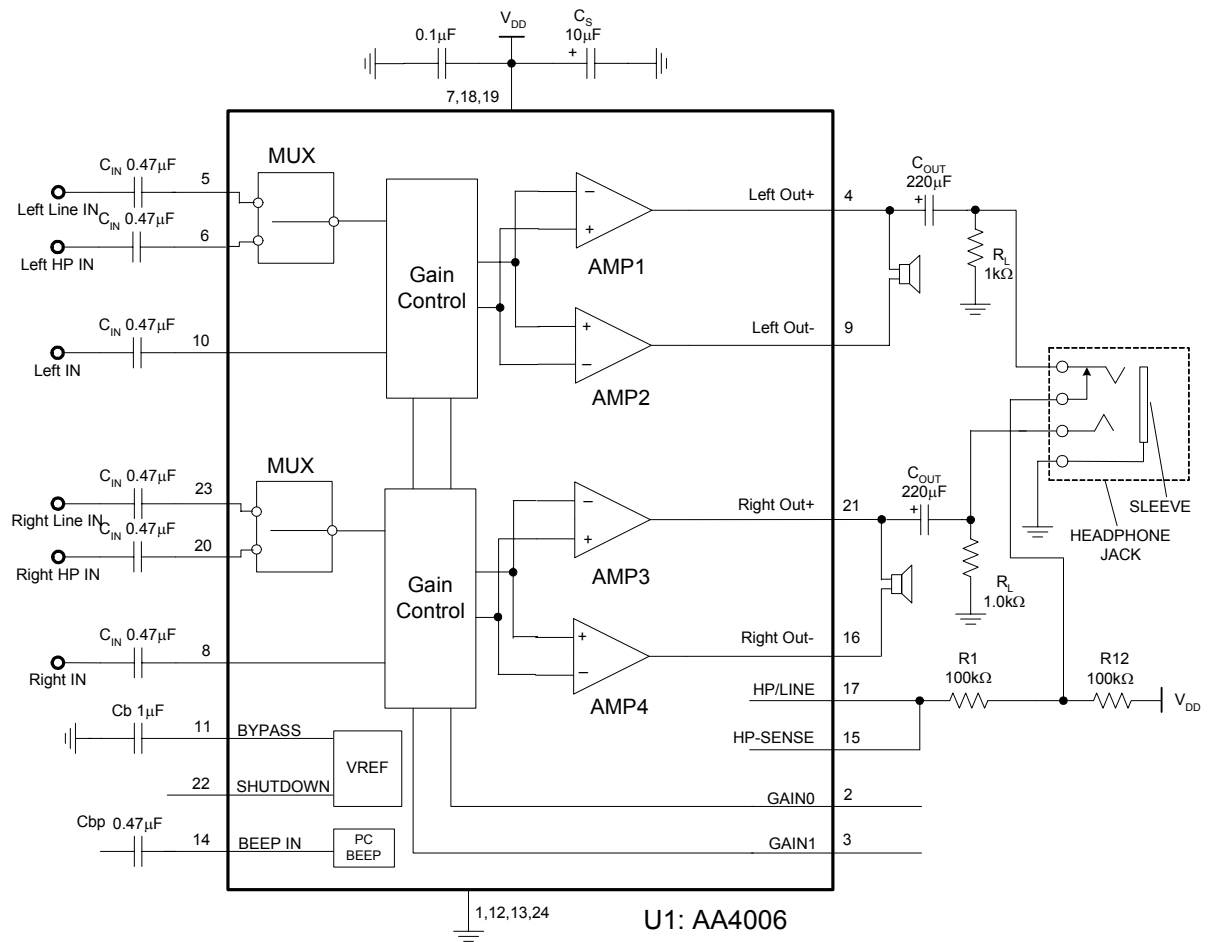


Figure 41. Typical Application of AA4006