



Chipsmall Limited consists of a professional team with an average of over 10 year of expertise in the distribution of electronic components. Based in Hongkong, we have already established firm and mutual-benefit business relationships with customers from,Europe,America and south Asia,supplying obsolete and hard-to-find components to meet their specific needs.

With the principle of “Quality Parts,Customers Priority,Honest Operation,and Considerate Service”,our business mainly focus on the distribution of electronic components. Line cards we deal with include Microchip,ALPS,ROHM,Xilinx,Pulse,ON,Everlight and Freescale. Main products comprise IC,Modules,Potentiometer,IC Socket,Relay,Connector.Our parts cover such applications as commercial,industrial, and automotives areas.

We are looking forward to setting up business relationship with you and hope to provide you with the best service and solution. Let us make a better world for our industry!



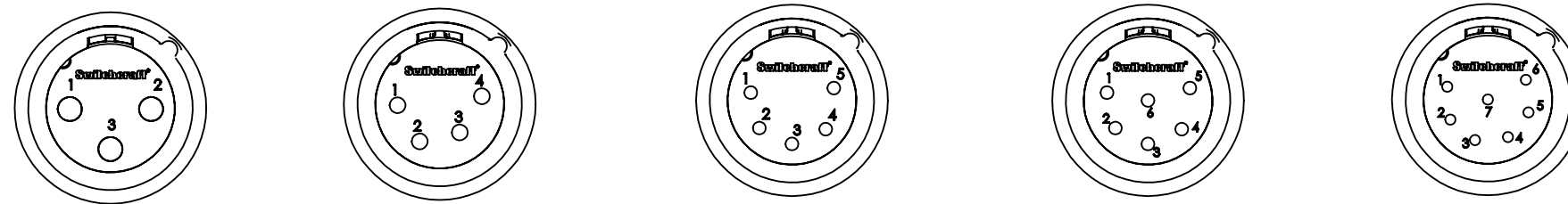
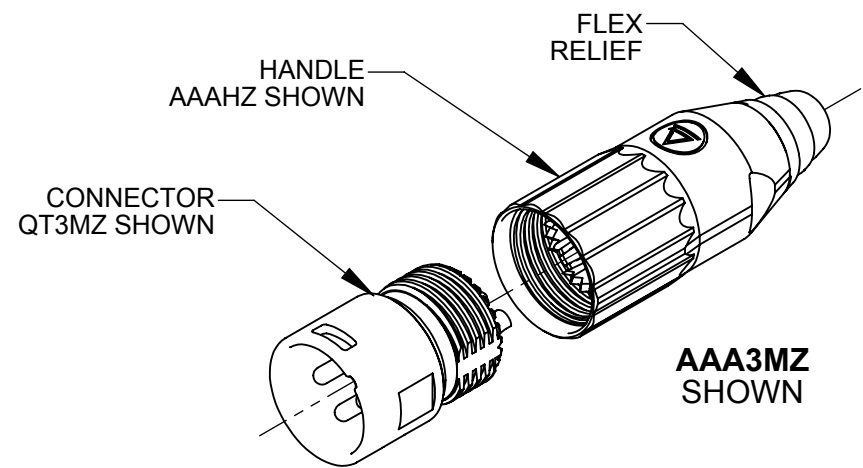
Contact us

Tel: +86-755-8981 8866 Fax: +86-755-8427 6832

Email & Skype: info@chipsmall.com Web: www.chipsmall.com

Address: A1208, Overseas Decoration Building, #122 Zhenhua RD., Futian, Shenzhen, China





3 PIN

4 PIN

5 PIN

6 PIN

7 PIN

CONTACT PINS AS VIEWED FACING MALE CONNECTOR

SERIES: AAA M Z
Q-G° CONNECTOR

OF CONTACT PINS: 3, 4, 5, 6, OR 7

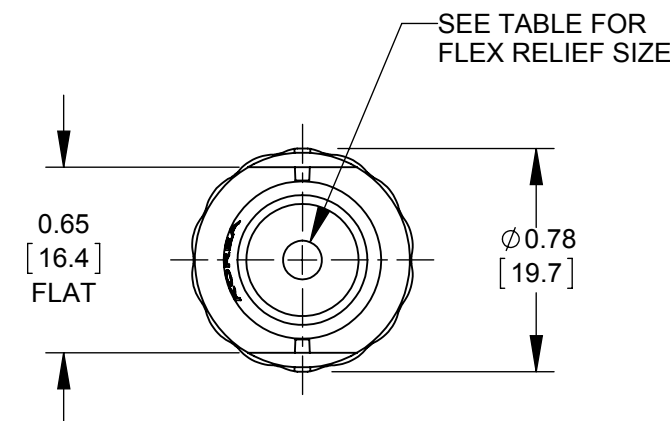
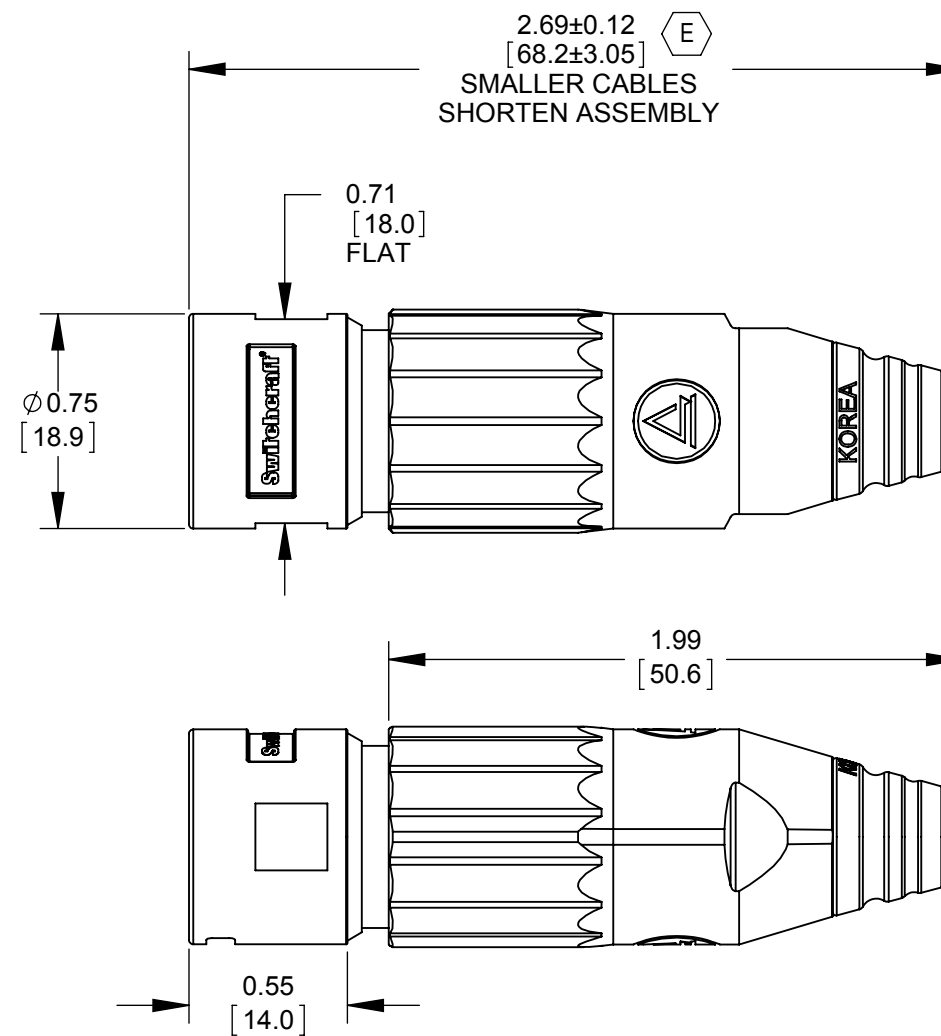
GENDER: MALE

HANDLE STYLE: BLANK - METAL HANDLE (SEE FINISH BELOW)
P - PLASTIC HANDLE, BLACK

FINISH: BLANK - NICKEL HANDLE & CONNECTOR, WITH BLACK FLEX RELIEF & GREEN INSERT
B - BLACK HANDLE & CONNECTOR, WITH BLACK FLEX RELIEF & BLACK INSERT
W - WHITE HANDLE & NICKEL FINISH CONNECTOR WITH WHITE FLEX RELIEF & GREEN INSERT (F)

CONTACT PIN PLATING: BLANK - SILVER
AU - GOLD

FLEX RELIEF STYLE: BLANK - FLEX RELIEF I.D. 0.135 [3.4mm]
 RECOMMENDED CABLE O.D. 0.100 - 0.220 [2.5mm - 5.6mm]
L - FLEX RELIEF I.D. 0.225 [5.7mm]
 RECOMMENDED CABLE O.D. 0.220 - 0.285 [5.6mm - 7.2mm] (E)



CUSTOMER DRAWING

NOTES:

- CONNECTORS AND HANDLES ARE SHIPPED SIDE BY SIDE OR IN BULK.
- MATERIALS:
 - (E) HANDLE METAL - ZINC ALLOY, NICKEL PLATED OR BLACK OR WHITE PAINTED.
 - HANDLE PLASTIC - THERMOPLASTIC, BLACK
 - CABLE CLAMP - THERMOPLASTIC, BLACK
 - FLEX RELIEF - THERMOPLASTIC, BLACK OR WHITE.
 - HOUSING - ZINC ALLOY, NICKEL PLATED OR BLACK SATIN CHROME PLATED
 - INSULATOR - THERMOPLASTIC, GREEN OR BLACK
 - GROUND TERMINAL - SPECIAL COPPER ALLOY
 - CONTACT PINS - COPPER ALLOY, SILVER PLATED OR GOLD PLATED
- THESE PRODUCTS ARE RoHS COMPLIANT.

| REV | ECO NUMBER | DATE | BY | APVD |
|-----------|------------|----------|-----|------|
| F | 27473 | 03/27/15 | PC | TJK |
| E | 27081 | 01/25/13 | BL | TJK |
| D | 25711 | 10-17-07 | JGK | TJK |
| C | 24940 | 3-11-05 | JL | TJK |
| B | 24552 | 10-13-03 | JL | BRH |
| A | 24446 | 8-12-03 | JL | BRH |
| REVISIONS | | | | |

★ STAR SYMBOL DENOTES CRITICAL DIMENSION

UNLESS OTHERWISE SPECIFIED

- ALL DIMENSIONS IN INCHES
 - TWO PLACE DECIMALS ±0.01
 - THREE PLACE DECIMALS ±0.005
 - ANGLES ±1°
 - ALL DIA. CONCENTRIC WITHIN 0.005 T.I.R.
- FEATURES ON THE SAME CENTERLINE MUST BE ALIGNED WITHIN ±0.002
- REMOVE ALL BURRS

DO NOT SCALE DRAWING

| | | | | | | | | | |
|--|-------|------|-------|--------|---------------|--|--|--|--|
| THIS DRAWING DESCRIBES A DESIGN CONSIDERED PROPRIETARY IN NATURE, DEVELOPED AND MANUFACTURED BY SWITCHCRAFT INC. AND IS RELEASED ON A CONFIDENTIAL BASIS FOR IDENTIFICATION PURPOSES ONLY. | | | | | | | | | |
| SIZE | WIDTH | MULT | LBS/M | TEMPER | | | | | |
| FINISH | | | | | MATERIAL | | | | |
| SPEC No. | | | | | SPEC No. | | | | |
| FIRST USED ON | | | | | SCALE 1.5:1 | | | | |
| DATE DRAWN | BY | CHKD | APVD | | | | | | |
| 03-10-03 | BRH | BRH | BRH | | | | | | |
| NAME | | | | | PART No. | | | | |
| MALE XLR CONNECTOR, RoHS | | | | | AAA_MZ SERIES | | | | |
| | | | | | REV F | | | | |

SolidWorks CAD File (B)