



Chipsmall Limited consists of a professional team with an average of over 10 year of expertise in the distribution of electronic components. Based in Hongkong, we have already established firm and mutual-benefit business relationships with customers from,Europe,America and south Asia,supplying obsolete and hard-to-find components to meet their specific needs.

With the principle of “Quality Parts,Customers Priority,Honest Operation,and Considerate Service”,our business mainly focus on the distribution of electronic components. Line cards we deal with include Microchip,ALPS,ROHM,Xilinx,Pulse,ON,Everlight and Freescale. Main products comprise IC,Modules,Potentiometer,IC Socket,Relay,Connector.Our parts cover such applications as commercial,industrial, and automotives areas.

We are looking forward to setting up business relationship with you and hope to provide you with the best service and solution. Let us make a better world for our industry!



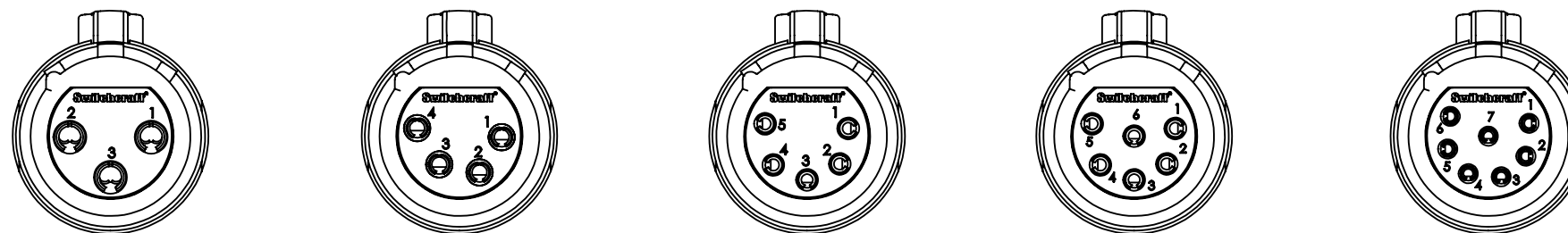
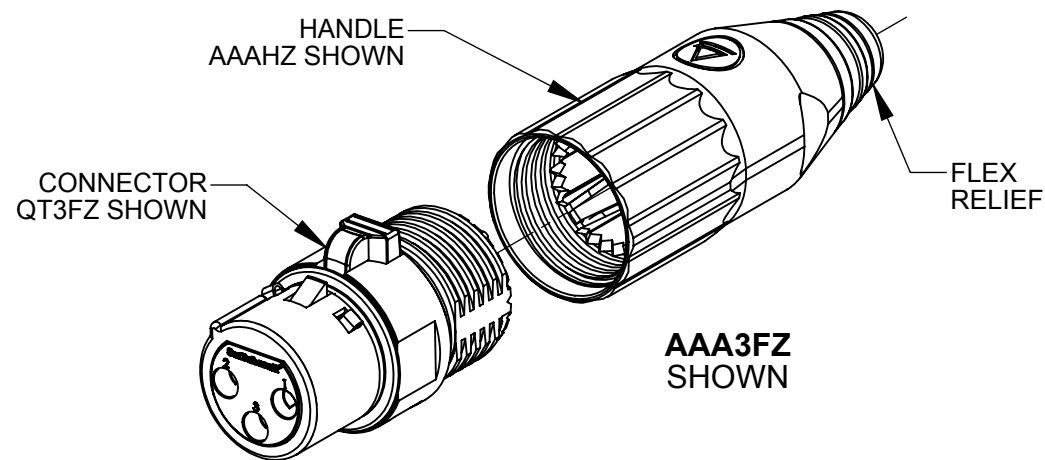
Contact us

Tel: +86-755-8981 8866 Fax: +86-755-8427 6832

Email & Skype: info@chipsmall.com Web: www.chipsmall.com

Address: A1208, Overseas Decoration Building, #122 Zhenhua RD., Futian, Shenzhen, China





3 PIN

4 PIN

5 PIN

6 PIN

7 PIN

CONTACTS AS VIEWED FACING FEMALE CONECTOR

AAA F Z

SERIES: _____
Q-G° CONNECTOR

OF CONTACT SOCKETS: _____
3, 4, 5, 6 OR 7

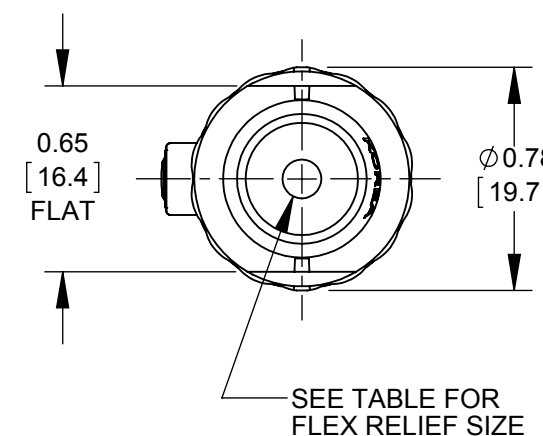
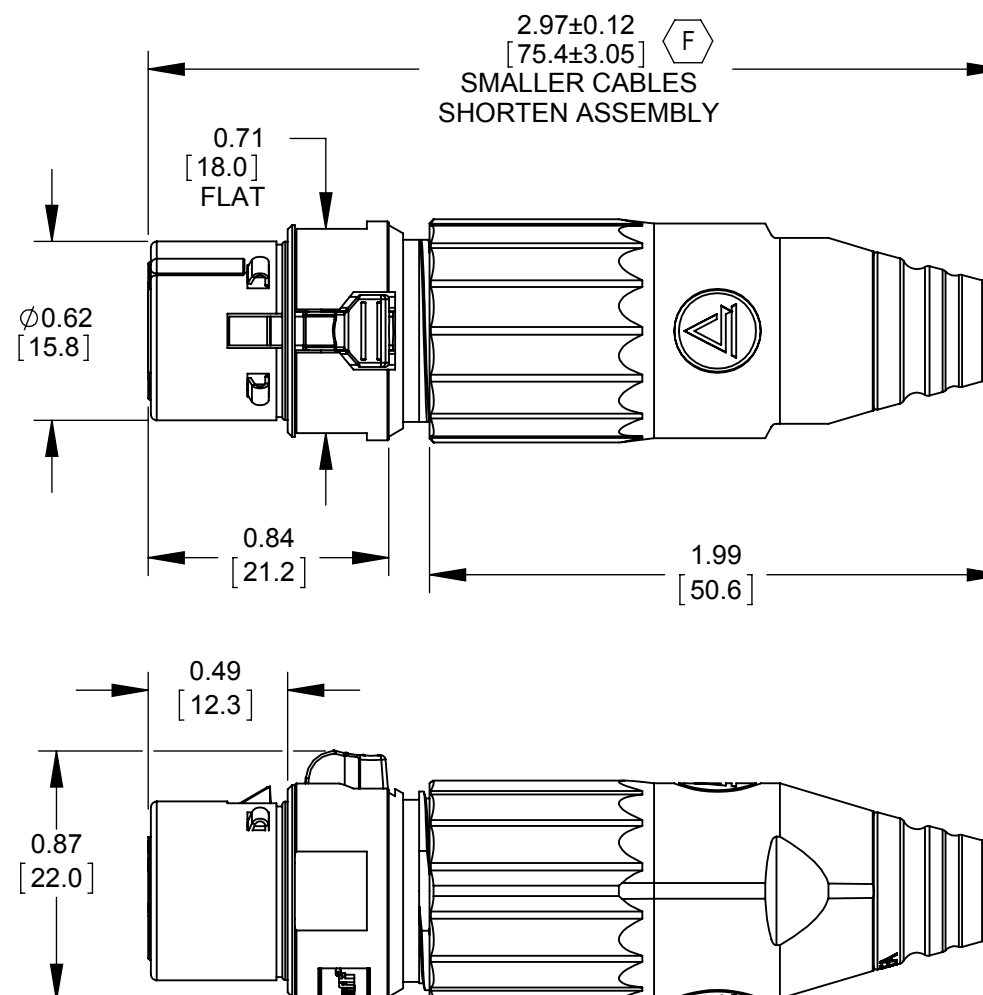
GENDER: _____
FEMALE

HANDLE STYLE: _____
BLANK - METAL HANDLE (SEE FINISH BELOW)
P - PLASTIC HANDLE, BLACK

FINISH: _____
BLANK - NICKEL HANDLE & CONNECTOR,
 WITH BLACK FLEX RELIEF & GREEN INSERT
B - BLACK HANDLE & CONNECTOR,
 WITH BLACK FLEX RELIEF & BLACK INSERT
W - WHITE HANDLE & NICKEL FINISH CONNECTOR
 WITH WHITE FLEX RELIEF & GREEN INSERT (G)

CONTACT SOCKET PLATING: _____
BLANK - SILVER
AU - GOLD

FLEX RELIEF STYLE: _____
BLANK - FLEX RELIEF I.D. 0.135 [3.4mm]
 RECOMMENDED CABLE O.D. 0.100 - 0.220 [2.5mm - 5.6mm]
L - FLEX RELIEF I.D. 0.225 [5.7mm]
 RECOMMENDED CABLE O.D. 0.220 - 0.285 [5.6mm - 7.2mm] (F)



CUSTOMER DRAWING

NOTES:

- CONNECTORS AND HANDLES ARE SHIPPED SIDE BY SIDE OR IN BULK.
- MATERIALS:
 (F) HANDLE METAL - ZINC ALLOY, NICKEL PLATED OR BLACK OR WHITE PAINTED
 HANDLE PLASTIC - THERMOPLASTIC, BLACK
 CABLE CLAMP - THERMOPLASTIC, BLACK
 FLEX RELIEF - THERMOPLASTIC, BLACK OR WHITE
 HOUSING AND LATCH - ZINC ALLOY, NICKEL OR BLACK SATIN CHROME PLATED
 INSULATOR - THERMOPLASTIC, GREEN OR BLACK
 GROUND TERMINAL - SPECIAL COPPER ALLOY, TIN PLATED
 CONTACT SOCKETS - SPECIAL COPPER ALLOY, SILVER OR GOLD PLATED
 O-RING - THERMOPLASTIC RUBBER, BLACK
- THESE PRODUCTS ARE RoHS COMPLIANT.

REV	ECO NUMBER	DATE	BY	APVD
G	27473	03/27/15	PC	TJK
F	27081	01/25/13	BL	TJK
E	25891	9-9-08	SRC	TJK
D	25711	10-17-07	JGK	TJK
C	24940	3-11-05	JL	TJK
B	24552	10-13-03	JL	BRH
A	24446	8-12-03	JL	BRH
REVISIONS				

☆ STAR SYMBOL DENOTES CRITICAL DIMENSION

UNLESS OTHERWISE SPECIFIED

- ALL DIMENSIONS IN INCHES
 - TWO PLACE DECIMALS ±0.01
 - THREE PLACE DECIMALS ±0.005
 - ANGLES ±1°
 - ALL DIA. CONCENTRIC WITHIN 0.005 T.I.R.
- FEATURES ON THE SAME CENTERLINE
 MUST BE ALIGNED WITHIN ±0.002
- REMOVE ALL BURRS

DO NOT SCALE DRAWING

THIS DRAWING DESCRIBES A DESIGN CONSIDERED PROPRIETARY IN NATURE, DEVELOPED AND MANUFACTURED BY SWITCHCRAFT INC. AND IS RELEASED ON A CONFIDENTIAL BASIS FOR IDENTIFICATION PURPOSES ONLY.									
SIZE	WIDTH	MULT	LBS/M	TEMPER					
FINISH					MATERIAL				
SPEC No.					SPEC No.				
FIRST USED ON			SCALE						
			1.5:1						
DATE DRAWN	BY	CHKD	APVD						
03-07-03	BRH	BRH	BRH						
			8-12-03	8-12-03					
NAME				PART No.		REV			
FEMALE XLR CONNECTOR, RoHS				AAA_FZ SERIES		G			