



Chipsmall Limited consists of a professional team with an average of over 10 year of expertise in the distribution of electronic components. Based in Hongkong, we have already established firm and mutual-benefit business relationships with customers from,Europe,America and south Asia,supplying obsolete and hard-to-find components to meet their specific needs.

With the principle of “Quality Parts,Customers Priority,Honest Operation,and Considerate Service”,our business mainly focus on the distribution of electronic components. Line cards we deal with include Microchip,ALPS,ROHM,Xilinx,Pulse,ON,Everlight and Freescale. Main products comprise IC,Modules,Potentiometer,IC Socket,Relay,Connector.Our parts cover such applications as commercial,industrial, and automotives areas.

We are looking forward to setting up business relationship with you and hope to provide you with the best service and solution. Let us make a better world for our industry!



## Contact us

Tel: +86-755-8981 8866 Fax: +86-755-8427 6832

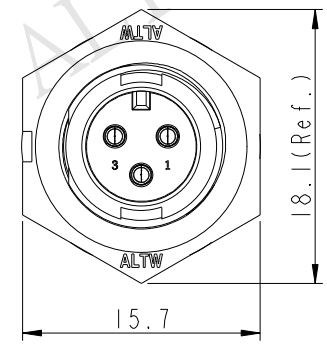
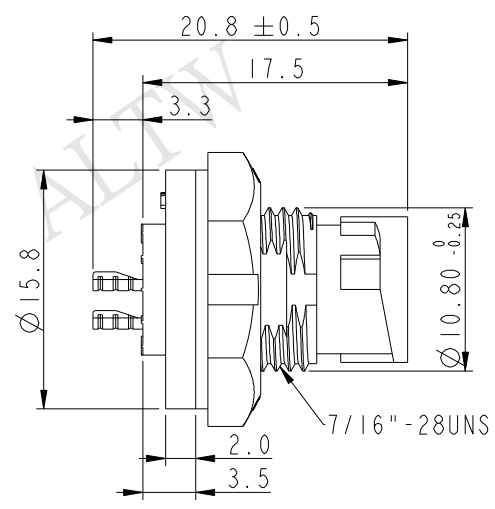
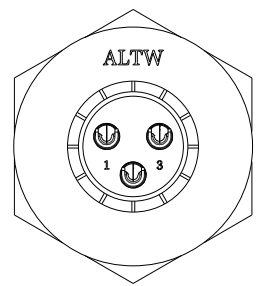
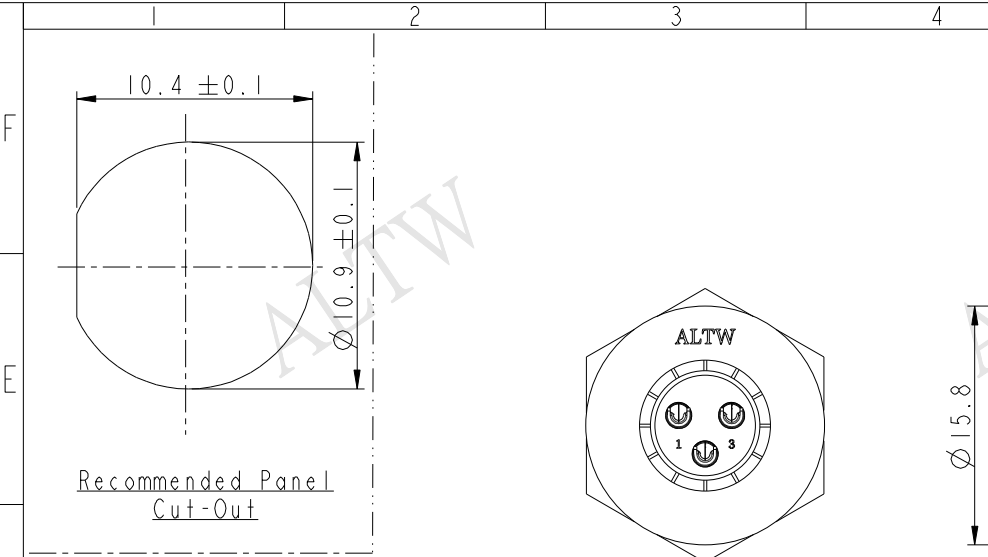
Email & Skype: info@chipsmall.com Web: www.chipsmall.com

Address: A1208, Overseas Decoration Building, #122 Zhenhua RD., Futian, Shenzhen, China



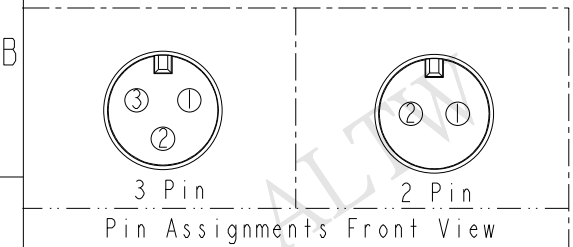
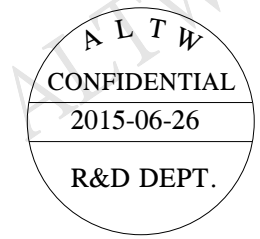
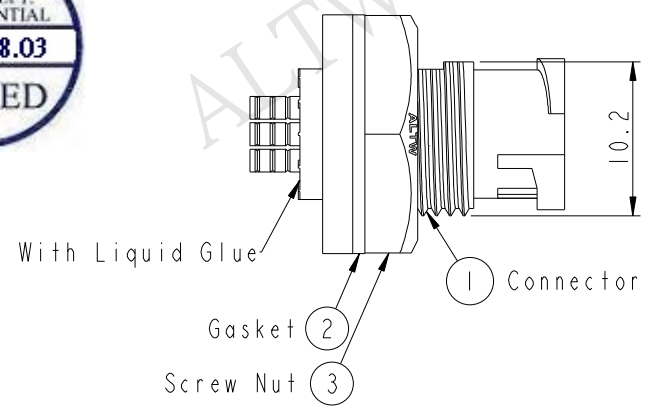
THIS DOCUMENT IS SUBJECT TO CHANGE WITHOUT NOTICE. IT IS CONFIDENTIAL AND A PROPERTY OF AMPHENOL LTW. DISCLOSURE TO THIRD PARTY HAS TO BE AUTHORIZED BY AMPHENOL LTW.

REV.	ECN NO.	DATE	SIGN	DESCRIPTION



AAD-XXPMMS-LC7001

02: 2 Pin  
03: 3 Pin



- Note:
- \* (CC) Important Dimension To Check.
  - \* Waterproof Rate: IP67
  - \* Housing: Nylon+GF, Black
  - \* Male Pin: Copper Alloy, Gold Plated.
  - \* Screw Nut: Nylon+GF, Black.
  - \* Gasket: Silicone, Gray.
  - \* Use with waterproof cap or dust cap  
Maximum Panel Thickness: 2.3mm
  - \* Use without waterproof cap or dust cap  
Maximum Panel Thickness: 3.5mm

UNIT: mm		TITLE MINI PANEL SCREW M CONN M PIN			ITEM NO	DRAWN BY Jinhai	DATE 2015-06-26
		TOLERANCE .X ±0.25 .XX ±0.1 .XXX ±0.05 ANGLES ±1°	SCALE 2:1	SIZE A4	SHEET 1 OF 1	DWG NO AAD-XXPMMS-LC7001	CHECKED BY Rensong
REV. A		WC-REV. A.3	(CC): Inspection item	Amphenol LTW 安費諾亮泰企業股份有限公司		APPROVED BY Jerry	DATE 2015-06-26