



Chipsmall Limited consists of a professional team with an average of over 10 year of expertise in the distribution of electronic components. Based in Hongkong, we have already established firm and mutual-benefit business relationships with customers from,Europe,America and south Asia,supplying obsolete and hard-to-find components to meet their specific needs.

With the principle of "Quality Parts,Customers Priority,Honest Operation,and Considerate Service",our business mainly focus on the distribution of electronic components. Line cards we deal with include Microchip,ALPS,ROHM,Xilinx,Pulse,ON,Everlight and Freescale. Main products comprise IC,Modules,Potentiometer,IC Socket,Relay,Connector.Our parts cover such applications as commercial,industrial, and automotives areas.

We are looking forward to setting up business relationship with you and hope to provide you with the best service and solution. Let us make a better world for our industry!



Contact us

Tel: +86-755-8981 8866 Fax: +86-755-8427 6832

Email & Skype: info@chipsmall.com Web: www.chipsmall.com

Address: A1208, Overseas Decoration Building, #122 Zhenhua RD., Futian, Shenzhen, China



High Efficiency 1.5X Fractional Charge Pumps for White LED Applications

General Description

The AAT3113 and AAT3114 are low noise, constant frequency charge pump DC/DC converters that use fractional (1.5X) conversion to increase efficiency in white LED applications. The devices can be used to produce current levels up to 20mA for each output from a 2.7V to 5.5V input. A low external parts count (two 1 μ F flying capacitors and two small bypass capacitors at V_{IN} and OUT) makes these devices ideally suited for small, battery-powered applications.

Skyworks' Simple Serial Control (S²Cwire™) interface is used to enable, disable, and set the LED drive current for 32-level logarithmic scale LED brightness control. AAT3113 and AAT3114 devices have a thermal management system for protection in the event of a short-circuit condition on any of the output pins. Built-in soft-start circuitry prevents excessive inrush current during start-up. A high switching frequency enables the use of small external capacitors. A low-current shutdown feature disconnects the load from V_{IN} and reduces quiescent current to less than 1 μ A. The AAT3113 provides four LED current source outputs, and the AAT3114 provides six. The AAT3113 is available in a Pb-free 12-pin TSOPJW package, and the AAT3114 is available in a Pb-free 16-pin QFN package.

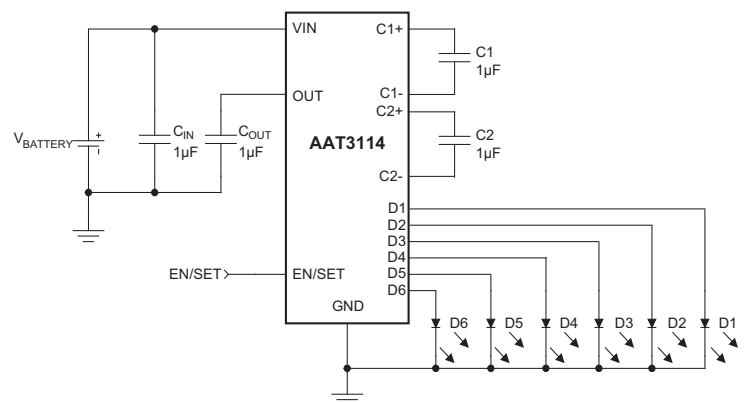
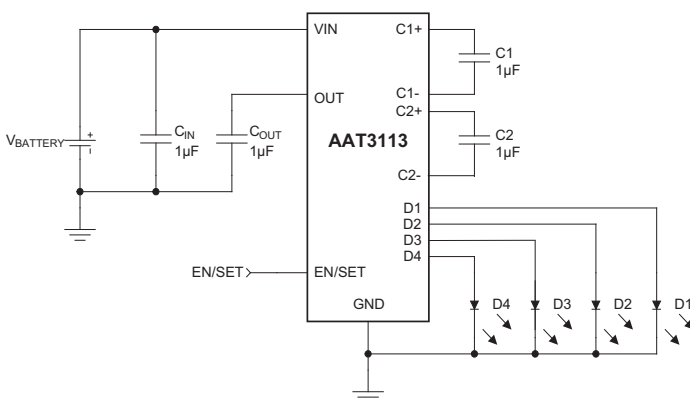
Features

- AAT3113: Four Outputs
- AAT3114: Six Outputs
- 20mA Full-Scale Current
- Simple Serial Control (S²Cwire) Interface
 - 32-Position Logarithmic Scale with Digital Control
- Low Noise Constant Frequency Operation
- 33% Less Input Current Than Doubler Charge Pump
- High Accuracy Brightness Matching
- Small Application Circuit
- Regulated Output Current
- Automatic Soft Start
- V_{IN} Range: 2.7V to 5.5V
- No Inductors
- 600kHz Switching Frequency
- I_Q < 1 μ A in Shutdown
- Temperature Range: -40°C to 85°C
- 12-Pin TSOPJW Package (AAT3113)
- 16-Pin QFN Package (AAT3114)

Applications

- Programmable Current Source
- White LED Backlighting

Typical Application



AAT3113/3114

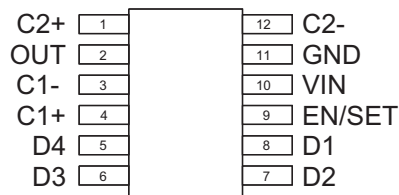
High Efficiency 1.5X Fractional Charge Pumps for White LED Applications

Pin Descriptions

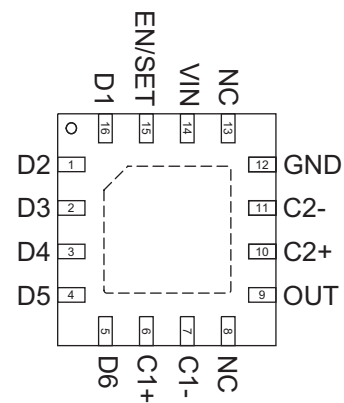
Pin Number		Symbol	Function
AAT3114	AAT3113		
1	7	D2	Current source output 2. If not used, leave pin floating.
2	6	D3	Current source output 3. If not used, leave pin floating.
3	5	D4	Current source output 4. If not used, leave pin floating.
4	N/A	D5	Current source output 5. If not used, leave pin floating.
5	N/A	D6	Current source output 6. If not used, leave pin floating.
6	4	C1+	Flying capacitor 1 positive terminal.
7	3	C1-	Flying capacitor 1 negative terminal.
8	N/A	NC	No connect.
9	2	OUT	Charge pump output. Requires 1 μ F bypass capacitor to ground.
10	1	C2+	Flying capacitor 2 positive terminal.
11	12	C2-	Flying capacitor 2 negative terminal.
12	11	GND	Ground.
13	N/A	NC	No connect.
14	10	VIN	Input power supply. Requires 1 μ F bypass capacitor to ground.
15	9	EN/SET	Control pin using S ² Cwire serial interface.
16	8	D1	Current source output 1. Required reference current source. Do not leave pin floating.
EP			Exposed paddle (bottom); connect to GND directly beneath package.

Pin Configuration

TSOPJW-12
(Top View)
AAT3113



QFN44-16
(Top View)
AAT3114



AAT3113/3114**High Efficiency 1.5X Fractional Charge Pumps for White LED Applications****Part Number Descriptions**

Part Number	V_{IN} Range	Number of LED Outputs, 20mA Full-Scale	LED Present Detect Current	Package
AAT3113ITP	$3.0V \leq V_{IN} \leq 5.5V$	4	150 μ A	TSOPJW-12
AAT3114ISN	$3.2V \leq V_{IN} \leq 5.5V$	6	150 μ A	QFN44-16

Absolute Maximum Ratings

$T_A = 25^\circ\text{C}$, unless otherwise noted.

Symbol	Description	Value	Units
V_{IN}	Input Voltage	-0.3 to 6	V
V_{OUT}	Charge Pump Output	-0.3 to 6	V
$V_{EN/SET}$	EN/SET to GND Voltage	-0.3 to 6	V
$V_{EN/SET(MAX)}$	Maximum EN/SET to Input Voltage	0.3	V
I_{OUT}	Maximum DC Output Current (sum of I_{OUT} and D currents)	150	mA
θ_{JA}	Thermal Resistance	37	$^\circ\text{C}/\text{W}$
T_J	Operating Junction Temperature Range	-40 to 150	$^\circ\text{C}$

AAT3113/3114**High Efficiency 1.5X Fractional Charge Pumps for White LED Applications****Electrical Characteristics**

$V_{IN} = 3.5V$, $T_A = -40^{\circ}C$ to $+85^{\circ}C$, unless otherwise noted. Typical values are at $T_A = 25^{\circ}C$.

Symbol	Description	Conditions	Min	Typ	Max	Units
Input Power Supply						
V_{IN}	Operation Range		2.7		5.5	V
I_{CC}	Operating Current	Active, No Load Current		1	2	mA
I_{SHDN}	Shutdown Current	EN = 0			1	μA
I_{DX}	Output Current	AAT3113: $3.0V \leq V_{IN} \leq 5.5V$	18	20	22	mA
		AAT3114: $3.2V \leq V_{IN} \leq 5.5V$				
		$T_A = 25^{\circ}C$, All Outputs Max Current				
$\Delta I_D / \Delta V_{IN}$	Output Current Line Regulation	$3.0V \leq V_{IN} \leq 5.5V$	-2		2	%/V
$I_{(D-Match)}$	Current Matching Between Any Two Outputs	VD1:Dn = 3.6V, $V_{IN} = 3.3V$		0.3		%
η	Efficiency	$V_{IN} = 3.5V$, $I_{OUT(total)} = 40mA$		93		%
Charge Pump						
t_{SS}	Soft-Start Time			400		μs
F_{CLK}	Clock Frequency		300	600	900	kHz
EN/ SET						
$V_{EN(L)}$	Enable Threshold Low	$V_{IN} = 2.7V$ to $5.5V$			0.5	V
$V_{EN(H)}$	Enable Threshold High	$V_{IN} = 2.7V$ to $5.5V$	1.4			V
t_{LO}	EN/SET Low Time		0.3		75	μs
t_{HI}	Minimum EN/SET High Time			50		ns
t_{OFF}	EN/SET Off Timeout			300	500	μs
Input Current	EN/SET Input Leakage	$V_{IN} = 5.5V$	-1		1	μA

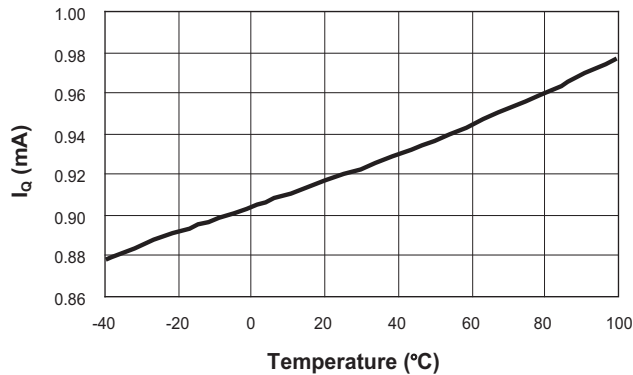
AAT3113/3114

High Efficiency 1.5X Fractional Charge Pumps for White LED Applications

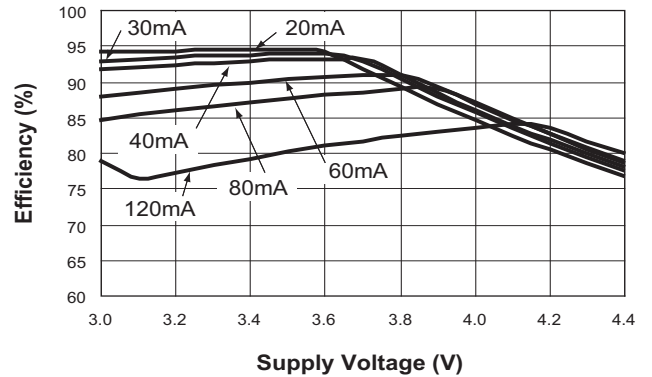
Typical Characteristics

$V_{IN} = 3.5V$, $C_{IN} = C_{OUT} = C_1 = C_2 = 1\mu F$; $T_A = 25^\circ C$, unless otherwise noted.

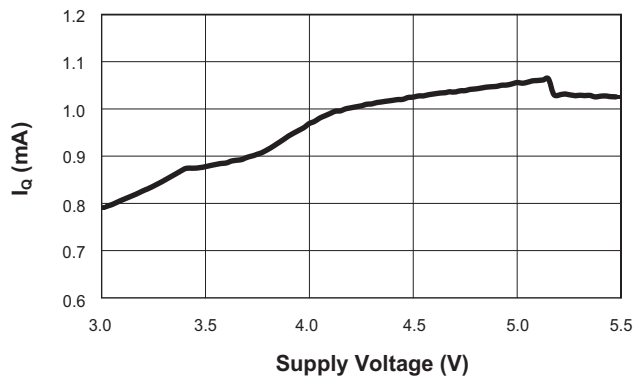
Quiescent Current vs. Temperature



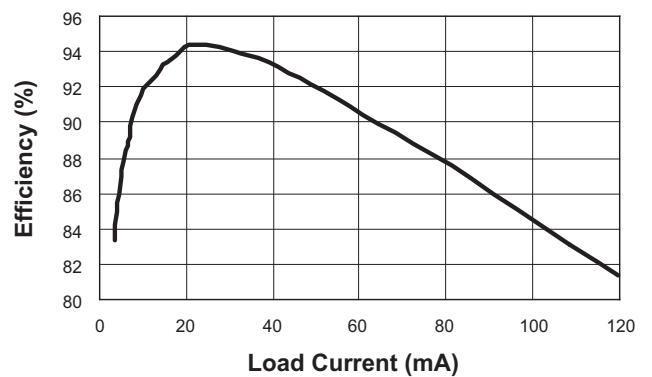
Efficiency vs. Supply Voltage



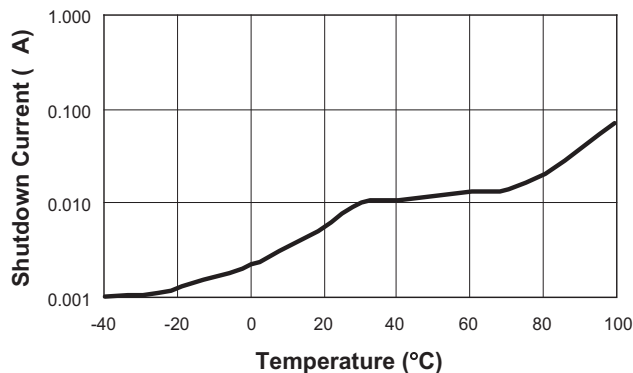
Quiescent Current vs. Supply Voltage



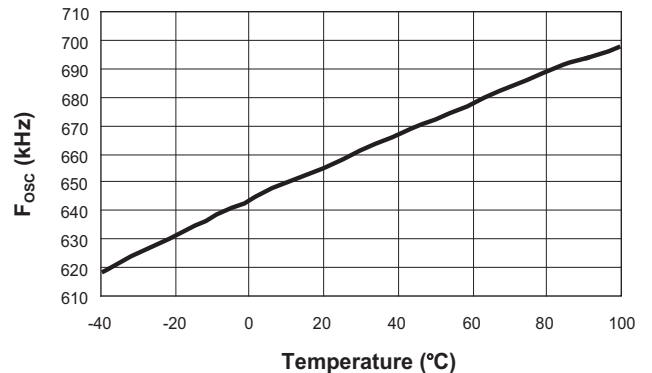
Efficiency vs. Load Current



Shutdown Current vs. Temperature



Oscillator Frequency vs. Temperature



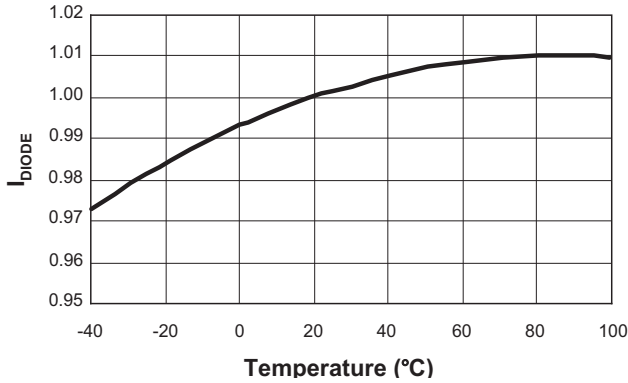
AAT3113/3114

High Efficiency 1.5X Fractional Charge Pumps for White LED Applications

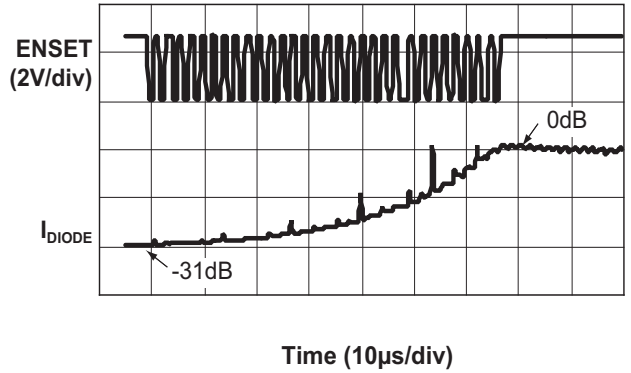
Typical Characteristics

$V_{IN} = 3.5V$, $C_{IN} = C_{OUT} = C_1 = C_2 = 1\mu F$; $T_A = 25^\circ C$, unless otherwise noted.

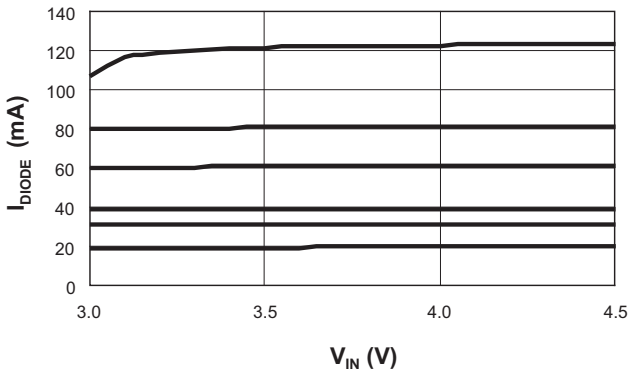
Normalized I_{DIODE} vs. Temperature



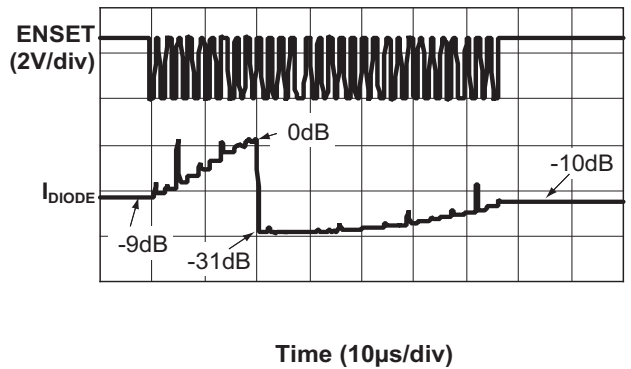
I_{DIODE} Response (-31dB to 0dB)



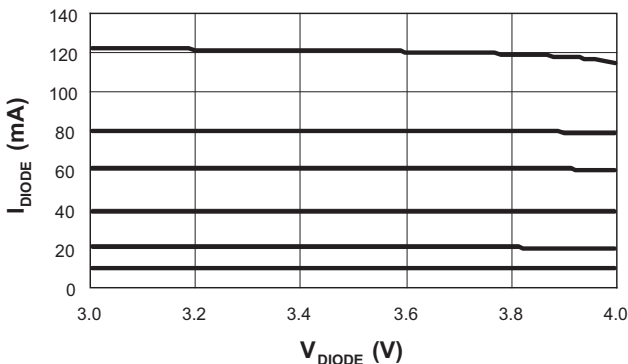
I_{DIODE} vs. V_{IN}



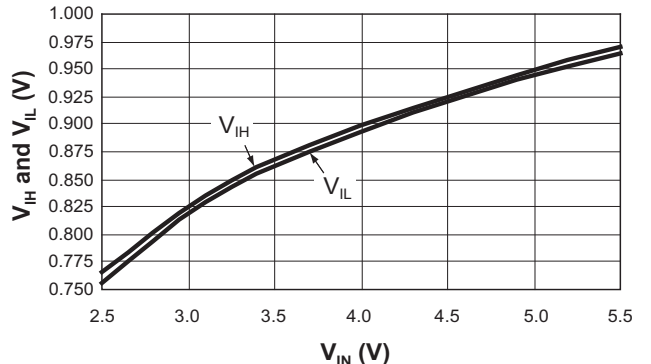
I_{DIODE} Response (-9dB to -10dB)



I_{DIODE} vs. V_{DIODE}



V_{IH} and V_{IL} vs. V_{IN}



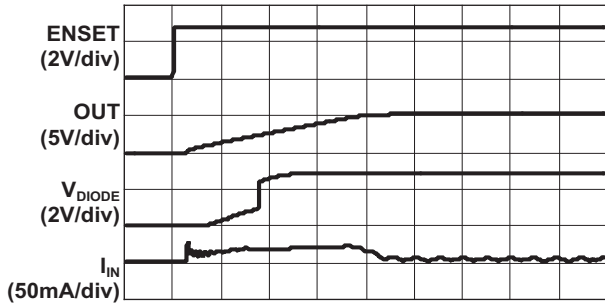
AAT3113/3114

High Efficiency 1.5X Fractional Charge Pumps for White LED Applications

Typical Characteristics

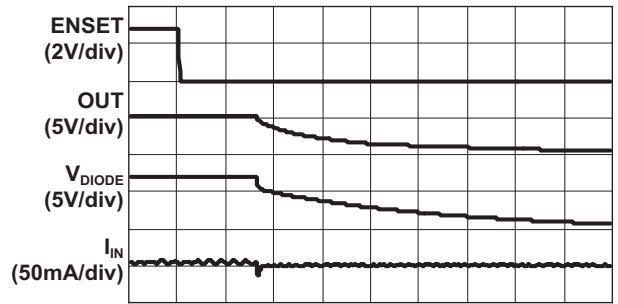
$V_{IN} = 3.5V$, $C_{IN} = C_{OUT} = C_1 = C_2 = 1\mu F$; $T_A = 25^\circ C$, unless otherwise noted.

Turn-On



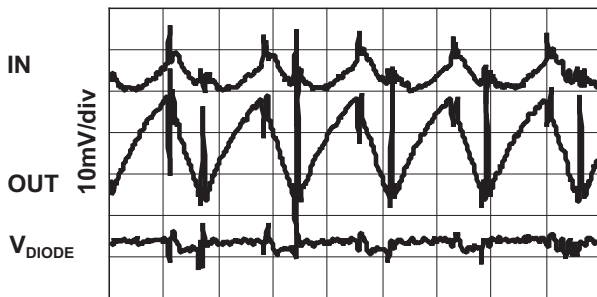
Time (100µs/div)

Turn-Off



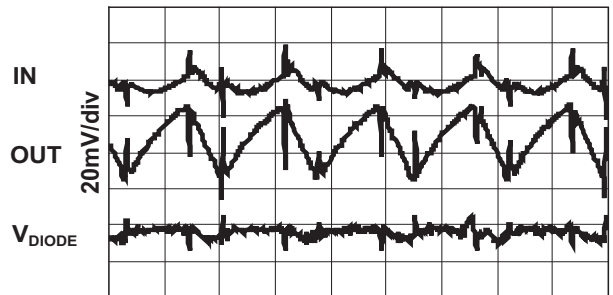
Time (200µs/div)

40mA Load Characteristics



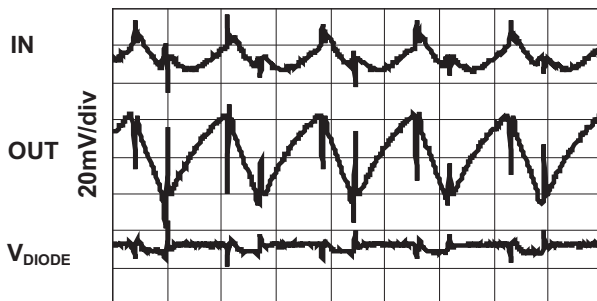
Time (1µs/div)

60mA Load Characteristics



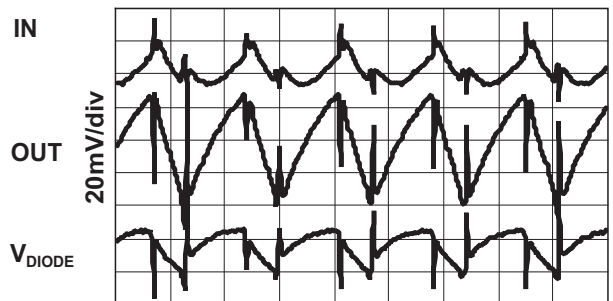
Time (1µs/div)

80mA Load Characteristics



Time (1µs/div)

120mA Load Characteristics

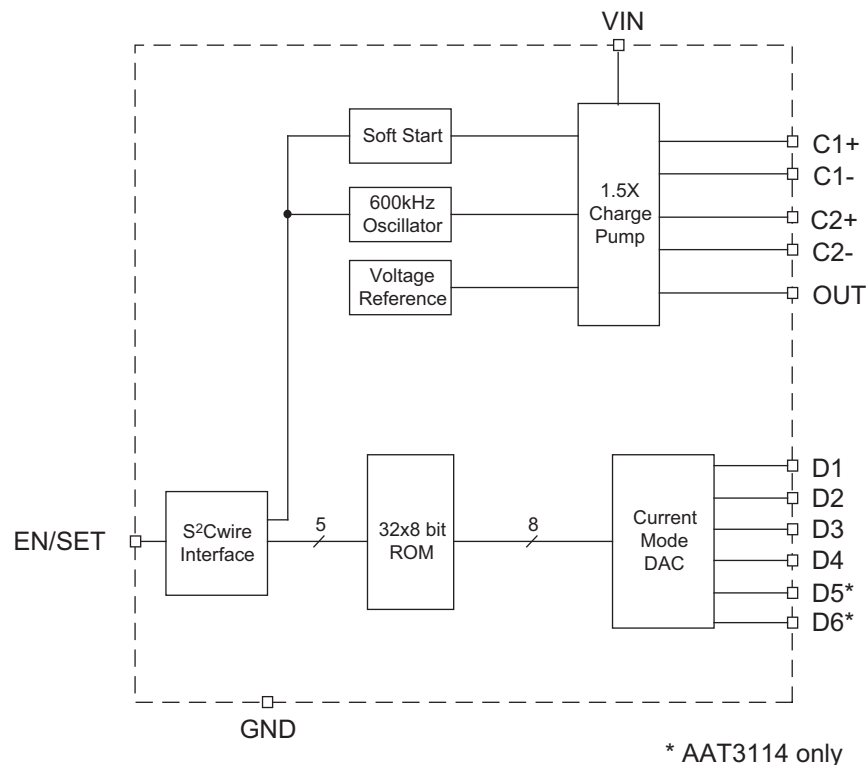


Time (1µs/div)

AAT3113/3114

High Efficiency 1.5X Fractional Charge Pumps for White LED Applications

Functional Block Diagram



Functional Description

The AAT3113 and AAT3114 devices are high efficiency 1.5X fractional charge pumps intended for white LED backlight applications. The fractional charge pump consists of a linear regulator followed by a 1.5X charge pump. The AAT3113 and AAT3114 require only four external components: two $1\mu\text{F}$ ceramic capacitors for the charge pump flying capacitors (C1 and C2), one $1\mu\text{F}$ ceramic capacitor for C_{IN} , and one $0.33\mu\text{F}$ to $1\mu\text{F}$ ceramic capacitor for C_{OUT} . The charge pump output is converted into four or six constant current outputs (D1 to D4 or D6) to drive four or six individual LEDs with a maximum of 20mA each. The current source output magnitude is controlled by the EN/SET serial data S²Cwire interface. The interface records rising edges of

the EN/SET pin and decodes them into 32 individual current level settings each 1dB apart (see Table 1, Current Level Settings). Code 32 is full scale, and Code 1 is full scale attenuated by 31dB. The modulo 32 interface wraps states back to state 1 after the 32nd clock. With each EN/SET pulse, the output current increases by 1dB. To decrease the output current by 1dB, 31 EN/SET clock pulses are required. The counter can be clocked at speeds up to 1MHz, so intermediate states are not visible. The first rising edge of EN/SET enables the IC and initially sets the output LED current to -31dB, the lowest setting equal to $525\mu\text{A}$. Once the final clock cycle is input for the desired brightness level, the EN/SET pin is held high to maintain the device output current at the programmed level. The device is disabled $500\mu\text{s}$ after the EN/SET pin transitions to a logic low state.

AAT3113/3114

High Efficiency 1.5X Fractional Charge Pumps for White LED Applications

Applications Information

Current Level Settings

LED current level is set via the serial interface according to a logarithmic scale where each code is 1dB greater than the previous code. In this manner, the LED brightness appears linear with each increasing code.

Code	20mA max	Code	20mA max
1	0.549	17	3.529
2	0.627	18	4.000
3	0.706	19	4.471
4	0.784	20	5.020
5	0.863	21	5.647
6	1.020	22	6.353
7	1.098	23	7.059
8	1.255	24	7.922
9	1.412	25	8.941
10	1.569	26	10.039
11	1.804	27	11.216
12	1.961	28	12.627
13	2.275	29	14.118
14	2.510	30	15.843
15	2.824	31	17.804
16	3.137	32	20.000

Table 1: Current Level Settings.

EN/ SET Serial Interface

The current source output magnitude is controlled by the EN/SET pin using Skyworks' Simple Serial Control (S²Cwire) interface. The interface records rising edges of the EN/SET pin and decodes them into 32 individual current level settings each 1dB apart. Code 32 is full scale, and Code 1 is full scale attenuated by 31dB. The modulo 32 interface wraps states back to state 1 after the 32nd clock, so 1dB of attenuation is achieved by clocking the EN/SET pin 31 times (see graph titled, "I_{DIODE} Response -9dB to -10dB"). The counter can be clocked at speeds up to 1MHz, so intermediate states are not visible. The first rising edge of EN/SET enables the IC and initially sets the output LED current to -31dB, the lowest setting equal to 525μA. Once the final clock cycle is input for the desired brightness level, the EN/SET pin is held high to maintain the device output current at the programmed level. The device is disabled 500μs after the EN/SET pin transitions to a logic low state.

The EN/SET timing is designed to accommodate a wide range of data rates. After the first rising edge of EN/SET, the charge pump is enabled and reaches full capacity after the soft-start time (T_{SS}). During the soft-start time, multiple clock pulses may be entered on the EN/SET pin to set the final output current level with a single burst of clocks. Alternatively, the EN/SET clock pulses may be entered one at a time to gradually increase the LED brightness over any desired time period. A constant current is sourced as long as EN/SET remains in a logic high state. The current source outputs are switched off after EN/SET has remained in a low state for at least the t_{OFF} timeout period (see Figure 2).

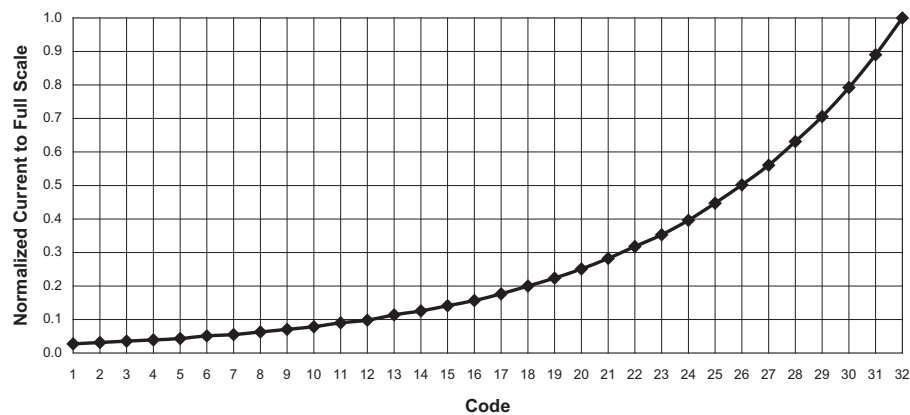
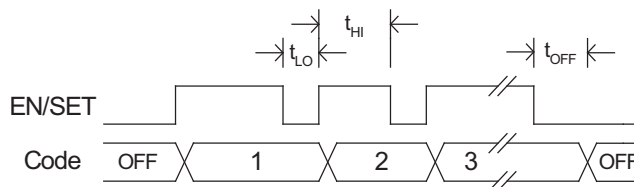
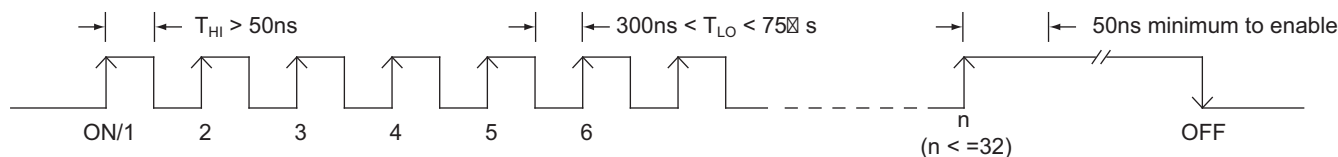


Figure 1: Normalized Current Level Settings.

AAT3113/3114

High Efficiency 1.5X Fractional Charge Pumps for White LED Applications

**Figure 2: EN/ SET Timing Diagram.****Figure 3: Enable/ Disable/ LED Brightness Level Set Data Input.**

LED Selection

AAT3113 and AAT3114 devices are designed to drive white LEDs with forward voltages to 4.2V. Since the D1:D6 output current sources are matched with negligible voltage dependence, the LED brightness will be matched regardless of their forward voltage matching.

Charge Pump Efficiency

The AAT3113 and AAT3114 devices are fractional charge pumps. The efficiency (η) can be simply defined as a linear voltage regulator with an effective output voltage that is equal to one and one half times the input voltage. Efficiency (η) for an ideal 1.5X charge pump can typically be expressed as the output power divided by the input power:

$$\eta = \frac{P_{OUT}}{P_{IN}}$$

In addition, with an ideal 1.5X charge pump, the output current may be expressed as 2/3 of the input current. The expression to define the ideal efficiency (η) can be rewritten as:

$$\eta = \frac{P_{OUT}}{P_{IN}} = \frac{V_{OUT} \cdot I_{OUT}}{V_{IN} \cdot 1.5I_{OUT}} = \frac{V_{OUT}}{1.5V_{IN}}$$

-or-

$$\eta(\%) = 100 \left(\frac{V_{OUT}}{1.5V_{IN}} \right)$$

For a charge pump with an output of 5V and a nominal input of 3.5V, the theoretical efficiency is 95%. Due to

internal switching losses and IC quiescent current consumption, the actual efficiency can be measured at 93%. These figures are in close agreement for output load conditions from 1mA to 100mA. Efficiency will decrease as load current drops below 0.05mA or when the level of V_{IN} approaches V_{OUT} . Refer to the Typical Characteristics section of this datasheet for measured plots of efficiency versus input voltage and output load current for the given charge pump output voltage options.

Power Efficiency and Device Evaluation

The charge pump efficiency discussion in the previous section only accounts for efficiency of the charge pump section itself. Due to the unique circuit architecture and design of the AAT3113 and AAT3114, it is very difficult to measure efficiency in terms of a percent value comparing input power over output power. Since the device outputs are pure constant current sources, it is difficult to measure the output voltage for a given output (D1 to D6) to derive an output power measurement. For any given application, white LED forward voltage levels can differ, yet the output drive current will be maintained as a constant. This makes quantifying output power a difficult task when taken in the context of comparing to other white LED driver circuit topologies. A better way to quantify total device efficiency is to observe the total input power to the device for a given LED current drive level. The best white LED driver for a given application should be based on trade-offs of size, external components count, reliability, operating range, and total energy usage...not just “% efficiency.”

AAT3113/3114

High Efficiency 1.5X Fractional Charge Pumps for White LED Applications

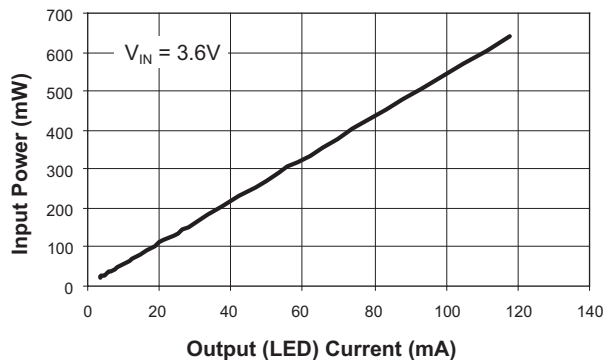


Figure 3: AAT3113/ AAT3114 Input Power vs. LED Current

Capacitor Selection

Careful selection of the four external capacitors C_{IN} , C_1 , C_2 , and C_{OUT} is important because they will affect turn-on time, output ripple, and transient performance. Optimum performance will be obtained when low equivalent series resistance (ESR) ceramic capacitors are used. In general, low ESR may be defined as less than $100\text{m}\Omega$. A value of $1\mu\text{F}$ for all four capacitors is a good starting point when choosing capacitors. If the LED current sources are only programmed for minimal current levels, then the capacitor size may be decreased.

Capacitor Characteristics

Ceramic composition capacitors are highly recommended over all other types of capacitors for use with the AAT3113 and AAT3114 products. Ceramic capacitors offer many advantages over their tantalum and aluminum electrolytic counterparts. A ceramic capacitor typically has very low ESR, is lowest cost, has a smaller PCB footprint, and is non-polarized. Low ESR ceramic capacitors help maximize charge pump transient response. Since ceramic capacitors are non-polarized, they are not prone to incorrect connection damage.

Equivalent Series Resistance

ESR is an important characteristic to consider when selecting a capacitor. ESR is a resistance internal to a capacitor that is caused by the leads, internal connec-

tions, size or area, material composition, and ambient temperature. Capacitor ESR is typically measured in milliohms for ceramic capacitors and can range to more than several ohms for tantalum or aluminum electrolytic capacitors.

Ceramic Capacitor Materials

Ceramic capacitors less than $0.1\mu\text{F}$ are typically made from NPO or COG materials. NPO and COG materials generally have tight tolerance and are very stable over temperature. Larger capacitor values are usually composed of X7R, X5R, Z5U, or Y5V dielectric materials. Large ceramic capacitors (i.e., greater than $2.2\mu\text{F}$) are often available in low-cost Y5V and Z5U dielectrics, but capacitors greater than $1\mu\text{F}$ are not typically required for AAT3113 or AAT3114 applications.

Capacitor area is another contributor to ESR. Capacitors that are physically large will have a lower ESR when compared to an equivalent material smaller capacitor. These larger devices can improve circuit transient response when compared to an equal value capacitor in a smaller package size.

Test Current/ Channel Disable

Each channel of the output is equipped with a test current function. The AAT3113 and AAT3114 use a small ($\sim 150\mu\text{A}$) current source injected into each output pin to detect the presence of an LED. Unused channels other than channel 1 should be left open and will be automatically disabled instead of wasting the programmed output current.

Thermal Protection

The AAT3113 and AAT3114 have a thermal protection circuit that will shut down the charge pump and current outputs if the die temperature rises above the thermal limit. However, thermal resistance of the QFN package is so low that if, in the case of the AAT3114, all six outputs are shorted to ground at maximum 20mA output level, the die temperature will not rise sufficiently to trip the thermal protection. The thermal protection will only trip if C_{OUT} is shorted to ground and the ambient temperature is high.

AAT3113/3114

High Efficiency 1.5X Fractional Charge Pumps for White LED Applications

Driving White LED Display Module Backlights and Individual White LEDs Connected in Parallel

The AAT3114 D1 to D6 outputs are true constant current sources capable of driving up to 20mA each over the operation input voltage range. Since these outputs are true constant current sources, they may be connected in parallel to drive a single power output. Any combination of outputs (D1 to D6) may be connected in parallel. The maximum total output current is a sum of parallel-con-

nected current sources. This feature is particularly useful to power pre-manufactured display modules that are pre-wired with white LED backlights connected in a parallel circuit configuration. All outputs can be connected in parallel to drive groups of LEDs as well. The internal current source reference circuit bases feedback from current sensed on the D1 output. For best operation, the only requirement for this application is that the output D1 should always be connected to the load circuit.

AAT3113/3114

High Efficiency 1.5X Fractional Charge Pumps for White LED Applications

Application Circuits

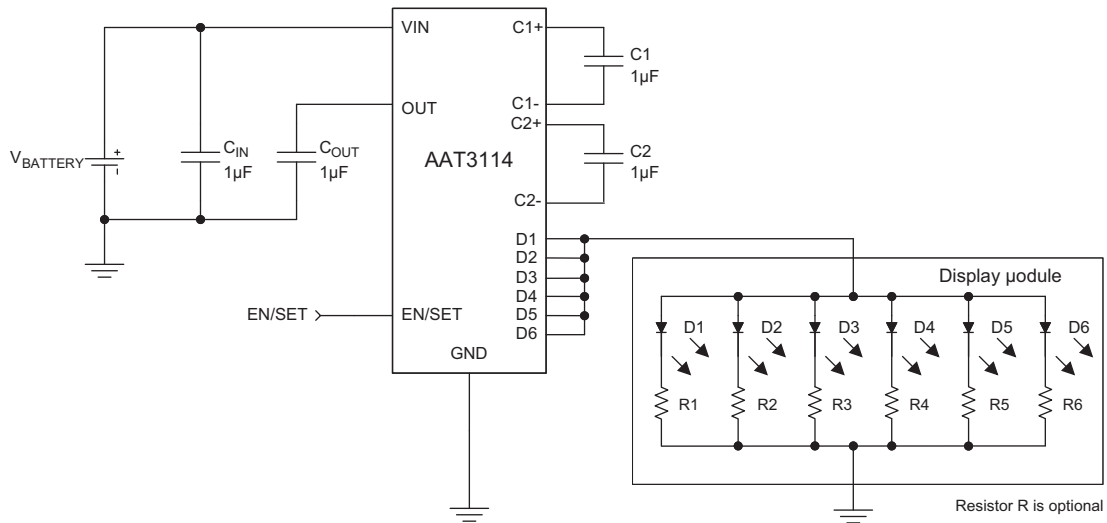


Figure 4: AAT3114 Application Driving a Display Module With Six Parallel-Connected White LEDs.

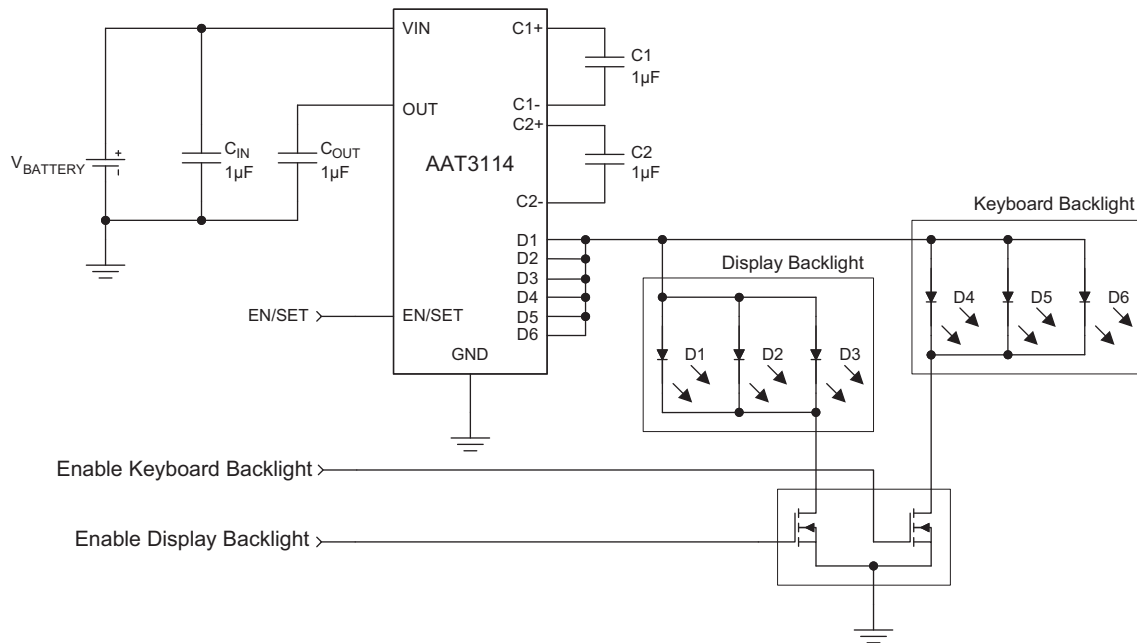


Figure 5: AAT3114 Dual Backlight Control Circuit.

AAT3113/3114

High Efficiency 1.5X Fractional Charge Pumps for White LED Applications

Ordering Information

Package	Marking ¹	Part Number (Tape and Reel) ²
TSOPJW-12	HTXYY	AAT3113ITP-20-T1
QFN44-16	FGXYY	AAT3114ISN-20-T1

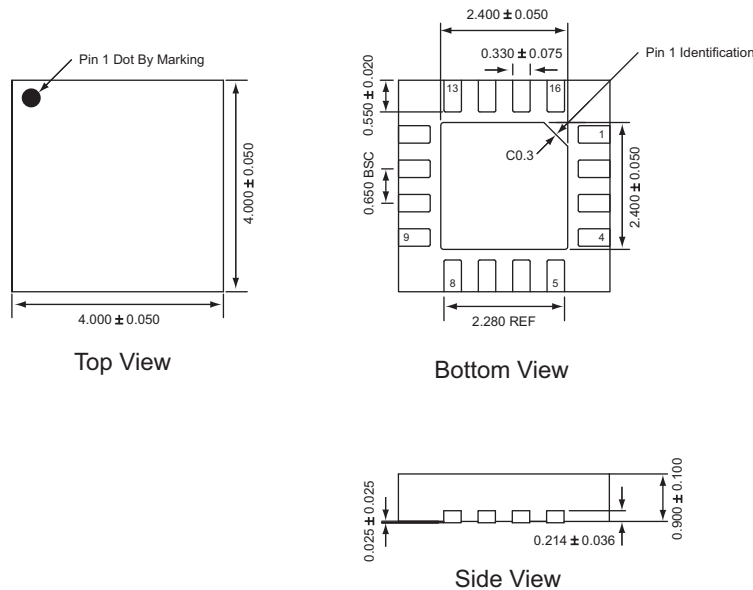


Skyworks Green™ products are compliant with all applicable legislation and are halogen-free.

For additional information, refer to *Skyworks Definition of Green™*, document number SQ04-0074.

Package Information

QFN44-16³



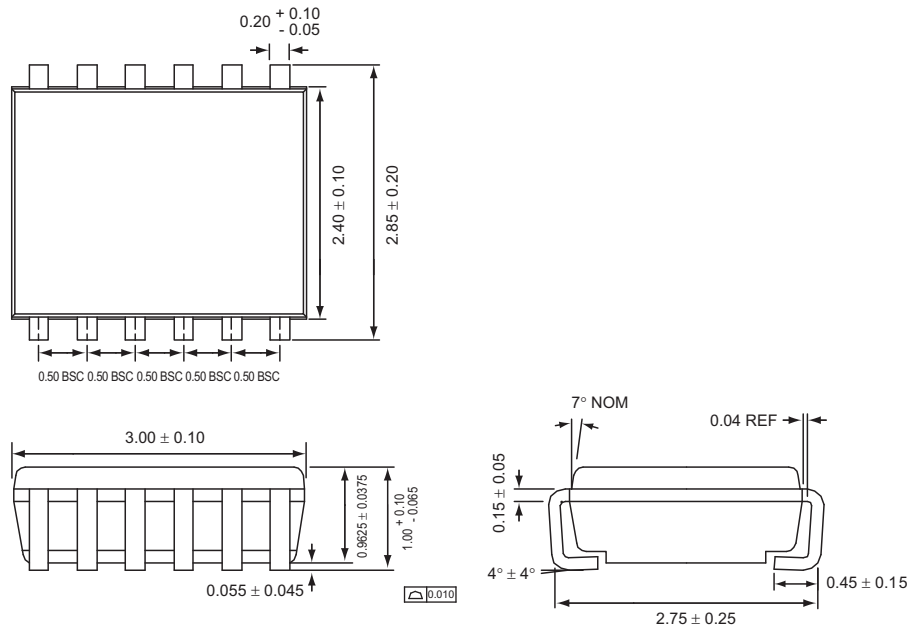
All dimensions in millimeters.

1. XYY = assembly and date code.
 2. Sample stock is generally held on all part numbers listed in **BOLD**.
 3. The leadless package family, which includes QFN, TQFN, DFN, TDFN and STDFN, has exposed copper (unplated) at the end of the lead terminals due to the manufacturing process. A solder fillet at the exposed copper edge cannot be guaranteed and is not required to ensure a proper bottom solder connection.

AAT3113/3114

High Efficiency 1.5X Fractional Charge Pumps for White LED Applications

TSOPJW-12



All dimensions in millimeters.

Copyright © 2012, 2013 Skyworks Solutions, Inc. All Rights Reserved.

Information in this document is provided in connection with Skyworks Solutions, Inc. ("Skyworks") products or services. These materials, including the information contained herein, are provided by Skyworks as a service to its customers and may be used for informational purposes only by the customer. Skyworks assumes no responsibility for errors or omissions in these materials or the information contained herein. Skyworks may change its documentation, products, services, specifications or product descriptions at any time, without notice. Skyworks makes no commitment to update the materials or information and shall have no responsibility whatsoever for conflicts, incompatibilities, or other difficulties arising from any future changes.

No license, whether express, implied, by estoppel or otherwise, is granted to any intellectual property rights by this document. Skyworks assumes no liability for any materials, products or information provided hereunder, including the sale, distribution, reproduction or use of Skyworks products, information or materials, except as may be provided in Skyworks Terms and Conditions of Sale.

THE MATERIALS, PRODUCTS AND INFORMATION ARE PROVIDED "AS IS" WITHOUT WARRANTY OF ANY KIND, WHETHER EXPRESS, IMPLIED, STATUTORY, OR OTHERWISE, INCLUDING FITNESS FOR A PARTICULAR PURPOSE OR USE, MERCHANTABILITY, PERFORMANCE, QUALITY OR NON-INFRINGEMENT OF ANY INTELLECTUAL PROPERTY RIGHT; ALL SUCH WARRANTIES ARE HEREBY EXPRESSLY DISCLAIMED. SKYWORKS DOES NOT WARRANT THE ACCURACY OR COMPLETENESS OF THE INFORMATION, TEXT, GRAPHICS OR OTHER ITEMS CONTAINED WITHIN THESE MATERIALS. SKYWORKS SHALL NOT BE LIABLE FOR ANY DAMAGES, INCLUDING BUT NOT LIMITED TO ANY SPECIAL, INDIRECT, INCIDENTAL, STATUTORY, OR CONSEQUENTIAL DAMAGES, INCLUDING WITHOUT LIMITATION, LOST REVENUES OR LOST PROFITS THAT MAY RESULT FROM THE USE OF THE MATERIALS OR INFORMATION, WHETHER OR NOT THE RECIPIENT OF MATERIALS HAS BEEN ADVISED OF THE POSSIBILITY OF SUCH DAMAGE.

Skyworks products are not intended for use in medical, lifesaving or life-sustaining applications, or other equipment in which the failure of the Skyworks products could lead to personal injury, death, physical or environmental damage. Skyworks customers using or selling Skyworks products for use in such applications do so at their own risk and agree to fully indemnify Skyworks for any damages resulting from such improper use or sale.

Customers are responsible for their products and applications using Skyworks products, which may deviate from published specifications as a result of design defects, errors, or operation of products outside of published parameters or design specifications. Customers should include design and operating safeguards to minimize these and other risks. Skyworks assumes no liability for applications assistance, customer product design, or damage to any equipment resulting from the use of Skyworks products outside of stated published specifications or parameters.

Skyworks, the Skyworks symbol, and "Breakthrough Simplicity" are trademarks or registered trademarks of Skyworks Solutions, Inc., in the United States and other countries. Third-party brands and names are for identification purposes only, and are the property of their respective owners. Additional information, including relevant terms and conditions, posted at www.skyworksinc.com, are incorporated by reference.