



Chipsmall Limited consists of a professional team with an average of over 10 year of expertise in the distribution of electronic components. Based in Hongkong, we have already established firm and mutual-benefit business relationships with customers from,Europe,America and south Asia,supplying obsolete and hard-to-find components to meet their specific needs.

With the principle of "Quality Parts,Customers Priority,Honest Operation,and Considerate Service",our business mainly focus on the distribution of electronic components. Line cards we deal with include Microchip,ALPS,ROHM,Xilinx,Pulse,ON,Everlight and Freescale. Main products comprise IC,Modules,Potentiometer,IC Socket,Relay,Connector.Our parts cover such applications as commercial,industrial, and automotives areas.

We are looking forward to setting up business relationship with you and hope to provide you with the best service and solution. Let us make a better world for our industry!



## Contact us

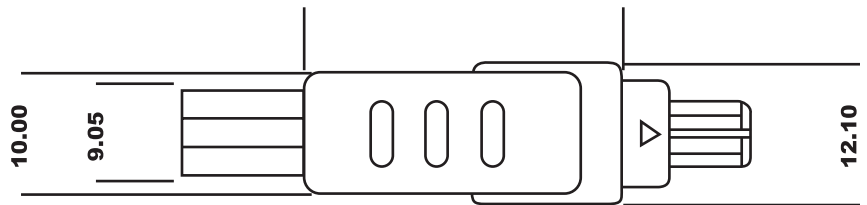
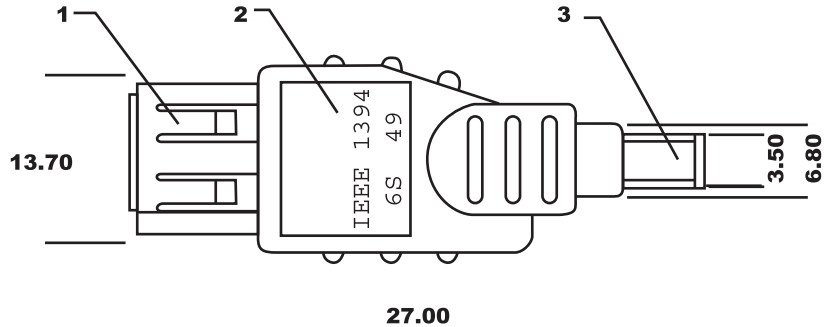
Tel: +86-755-8981 8866 Fax: +86-755-8427 6832

Email & Skype: info@chipsmall.com Web: www.chipsmall.com

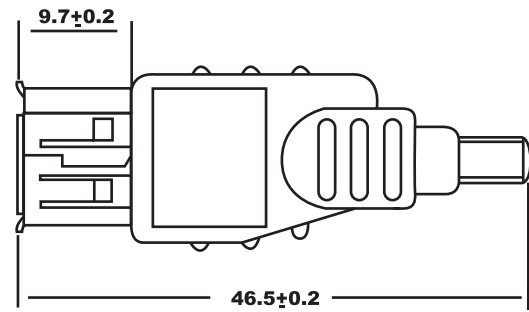
Address: A1208, Overseas Decoration Building, #122 Zhenhua RD., Futian, Shenzhen, China



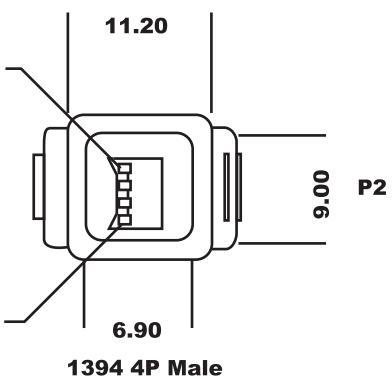
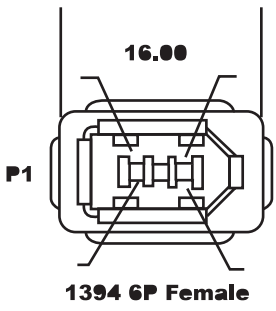
A



B



C



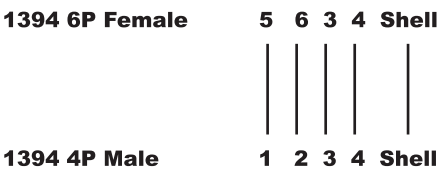
D

**Note:**

- 1.Hook Up Wire: UL 1007 30AWG 7 Strand L:17mm
- 2.Connector: P1: IEEE1394 6P Type Female Gold Flash Contact: Nickel Plated Shell Plastic: White  
P2:IEEE1394 4P Type Male Gold Flash Contact: Nickel Plated Shell Plastic:Black
- 3.Inner Mold with Copper Foil
- 4.Core: F18RID 6.4mm \* 3.2mm \* 3.5mm  
(The wires that were soldered in the PIN 5&PIN 6 of 1394 6P female are through the core)
- 5.Hood: Molded Type PVC 45P Color:Black(NK-KO1)
- 6.Electrical Test: <1> 100% Open Short & MIS Wire Test  
<2>Contact Resistance 3 Ohms Max  
<3>Insulation Resistance 20M Ohms Min
- 7.Packing: See P-0039 Rev.C Packing Drawing
- 8.EAN Code: 4016032076162

E

**PIN Assignment**



F

G

Scale	1:1							Name	Item No. <b>AB-1394-1-R</b>
TOLERANCE								Chappell	
X.X	±0.40						Drawn	10.24.11	Title IEEE 1394 Adaptor, 6 Pin Female - 4 Pin Male
X.XX	±0.25						Approved		
X.XXX	±0.15								Drawing No.
Angle	±3°								<b>rev00</b>
									Replace
									Sheet



H