



Chipsmall Limited consists of a professional team with an average of over 10 year of expertise in the distribution of electronic components. Based in Hongkong, we have already established firm and mutual-benefit business relationships with customers from,Europe,America and south Asia,supplying obsolete and hard-to-find components to meet their specific needs.

With the principle of “Quality Parts,Customers Priority,Honest Operation,and Considerate Service”,our business mainly focus on the distribution of electronic components. Line cards we deal with include Microchip,ALPS,ROHM,Xilinx,Pulse,ON,Everlight and Freescale. Main products comprise IC,Modules,Potentiometer,IC Socket,Relay,Connector.Our parts cover such applications as commercial,industrial, and automotives areas.

We are looking forward to setting up business relationship with you and hope to provide you with the best service and solution. Let us make a better world for our industry!



Contact us

Tel: +86-755-8981 8866 Fax: +86-755-8427 6832

Email & Skype: info@chipsmall.com Web: www.chipsmall.com

Address: A1208, Overseas Decoration Building, #122 Zhenhua RD., Futian, Shenzhen, China



14.5GHz Dielectric Resonator Oscillator

AB-DRO-14.5GHz



RoHS
Compliant



55.0 x 55.0 x 22.0 mm

FEATURES:

- High Carrier Frequency –14.5GHz
- Wide operating temperature range
- Linear Tuning Range
- Low Power Design (300mA max)
- High Output Power (+12dBm min)
- Excellent VSWR characteristics
- Low Phase Noise
- Low Spurious and Harmonic content

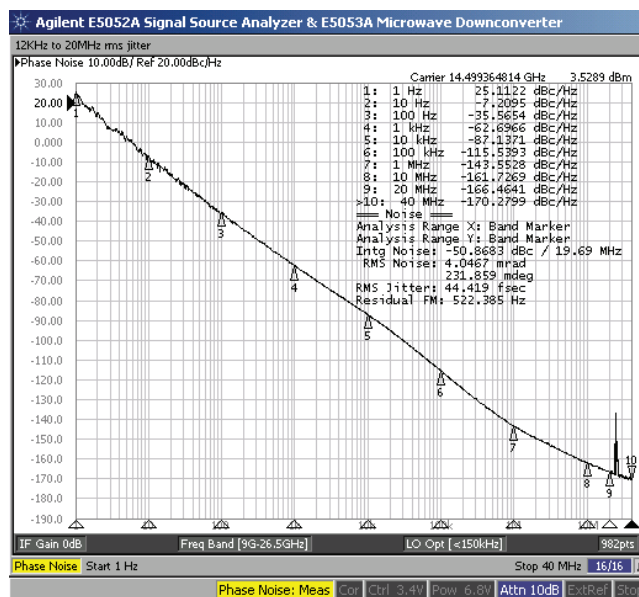
APPLICATIONS:

- Transmitters & Receivers
- Digital radios
- Satellite communications
- Cable TV links (CATV)
- Local Area Networks (LAN)
- Global Positioning Systems (GPS)
- Test Equipment
- LMDS
- Up/Down Converters
- Point to Point communication
- Military, Space, and Commercial

STANDARD SPECIFICATIONS:

Parameters	Minimum	Typical	Maximum	Units	Notes
Center Frequency		14.500		GHz	
Operating Temperature	-20		+70	°C	
Storage Temperature	-20		+70	°C	
Tuning Range	-10		+10	MHz	
Frequency Pushing		20		kHz/V	
Frequency Pulling		5		MHz	
Frequency drift temperature coefficient		+5		ppm/°C	
Supply Voltage (V _{DD})		+15		V	
Supply Current (I _{DD})			200.00	mA	
Output Power	13			dBm	
Output Power Variation	-2		+2	dB	
VSWR		1.5:1			50Ω impedance
Phase Noise			-80 -100	dBc/Hz	@10kHz @100kHz
Harmonics			-20	dBc	
Spurious			-70	dBc	

PHASE NOISE:



ABRACON IS
ISO9001:2008
CERTIFIED



ABRACON
CORPORATION

Visit www.abracon.com for Terms & Conditions of Sale **Revised: 08.16.12**
30332 Esperanza, Rancho Santa Margarita, California 92688
tel 949-546-8000 | fax 949-546-8001 | www.abracon.com

14.5GHz Dielectric Resonator Oscillator

AB-DRO-14.5GHz



RoHS
Compliant

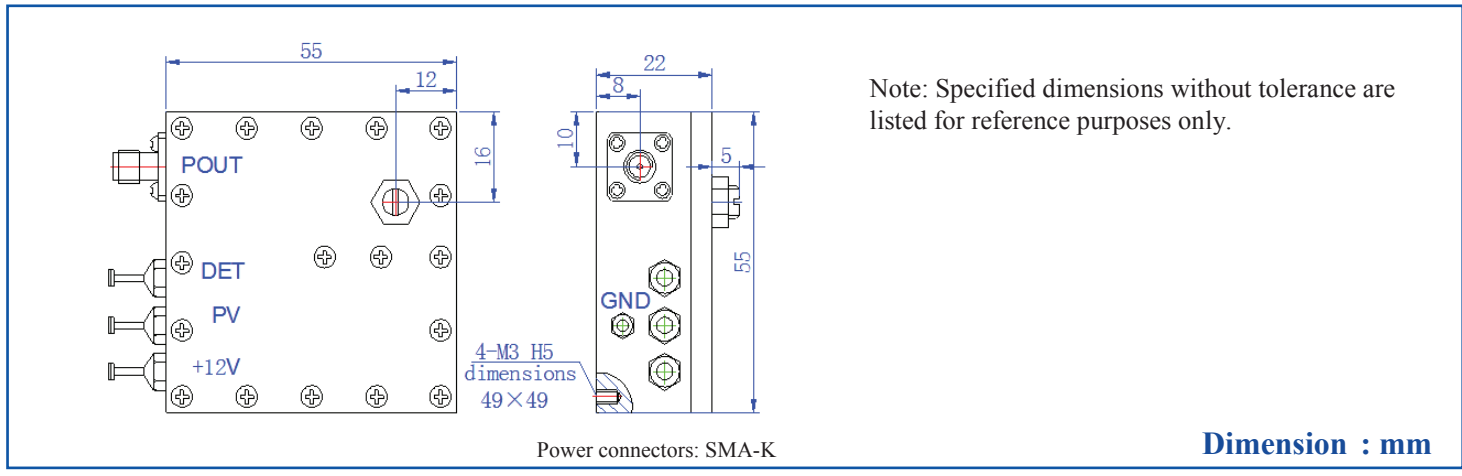


55.0 x 55.0 x 22.0 mm

MARKING:



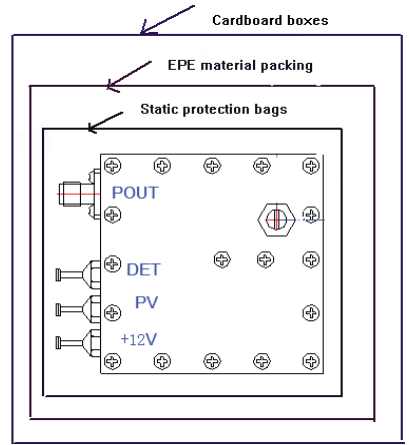
OUTLINE DRAWING:



PACKAGING:

Packaging: 1pc/box

Dimension of the cardboard box: 17.5cm*13.5cm*7cm



ATTENTION: Abracon Corporation's products are COTS – Commercial-Off-The-Shelf products; suitable for Commercial, Industrial and, where designated, Automotive Applications. Abracon's products are not specifically designed for Military, Aviation, Aerospace, Life-dependant Medical applications or any application requiring high reliability where component failure could result in loss of life and/or property. For applications requiring high reliability and/or presenting an extreme operating environment, written consent and authorization from Abracon Corporation is required. Please contact Abracon Corporation for more information.

ABRACON IS
ISO9001:2008
CERTIFIED



Visit www.abracon.com for Terms & Conditions of Sale **Revised: 08.16.12**
 30332 Esperanza, Rancho Santa Margarita, California 92688
 tel 949-546-8000 | fax 949-546-8001 | www.abracon.com