



Chipsmall Limited consists of a professional team with an average of over 10 year of expertise in the distribution of electronic components. Based in Hongkong, we have already established firm and mutual-benefit business relationships with customers from,Europe,America and south Asia,supplying obsolete and hard-to-find components to meet their specific needs.

With the principle of “Quality Parts,Customers Priority,Honest Operation,and Considerate Service”,our business mainly focus on the distribution of electronic components. Line cards we deal with include Microchip,ALPS,ROHM,Xilinx,Pulse,ON,Everlight and Freescale. Main products comprise IC,Modules,Potentiometer,IC Socket,Relay,Connector.Our parts cover such applications as commercial,industrial, and automotives areas.

We are looking forward to setting up business relationship with you and hope to provide you with the best service and solution. Let us make a better world for our industry!



Contact us

Tel: +86-755-8981 8866 Fax: +86-755-8427 6832

Email & Skype: info@chipsmall.com Web: www.chipsmall.com

Address: A1208, Overseas Decoration Building, #122 Zhenhua RD., Futian, Shenzhen, China



1

2

3

4

5

6

7

A

B

C

D

E

F

G

H

A

B

C

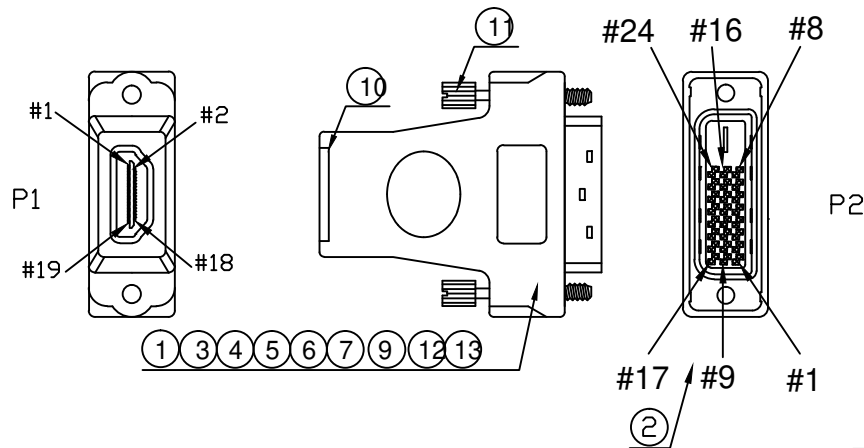
D

E

F

G

H



PIN ASSIGNMENT	
P1	P2
1	2
3	1
2	3
4	10
6	9
5	11
7	18
9	17
8	19
10	23
12	24
11	22
15	6
16	7
17	15
19	16
18	14
S	S

NO	TYPE	DESCRIPTION	QTY	UNIT
13	210	JUMP-WIRE-26#-1007-2*25*2MM	14	PCS
12	110640000120	HDMI A type Conn(FEMALE)	1	PCS
11	240010700068	SRW:14.7*22.6MM	2	PCS
10	370	PVC-BK10/30 (MOLDING 1 PCS HDMI HOOD)	2	G
9	370	PVC-BLACK10/50	12	G
8		LABEL*50*25mm	41/400	PCS
7	370	FOIL-CU:24*80MM	1	PCS
6	370	HI TEAMP TAPE:W:19MM;L:70MM	1	PCS
5	370	PE-5321	3.5	G
4	220	SOL-WIRE-FULL-TIN-1.0	1.0	G
3	260030000115	PCB:Y-S0002	1	PCS
2	220	DVI-24+KEY-M<BK>	1	PCS
1	210	JUMP-WIRE-26#-1007-2*30*2MM	3	PCS

RoHS compliant
Unit: mm

Scale	FREE					Date	Name	Customer-No.
TOLERANCE					Drawn	26.01.2015	Joanna	
					Approved	26.01.2015	Joanna	ASSMANN WSW-No. AB 567
DIM	TOL							Drawing-No. ASS 7303 CA
		①	Drawn	26.01.2015	Joanna			rev00
Angle	TOL	Id.	Modification	Date	Name			Replace

1

2

3

4

5

6

7