



Chipsmall Limited consists of a professional team with an average of over 10 year of expertise in the distribution of electronic components. Based in Hongkong, we have already established firm and mutual-benefit business relationships with customers from,Europe,America and south Asia,supplying obsolete and hard-to-find components to meet their specific needs.

With the principle of “Quality Parts,Customers Priority,Honest Operation,and Considerate Service”,our business mainly focus on the distribution of electronic components. Line cards we deal with include Microchip,ALPS,ROHM,Xilinx,Pulse,ON,Everlight and Freescale. Main products comprise IC,Modules,Potentiometer,IC Socket,Relay,Connector.Our parts cover such applications as commercial,industrial, and automotives areas.

We are looking forward to setting up business relationship with you and hope to provide you with the best service and solution. Let us make a better world for our industry!



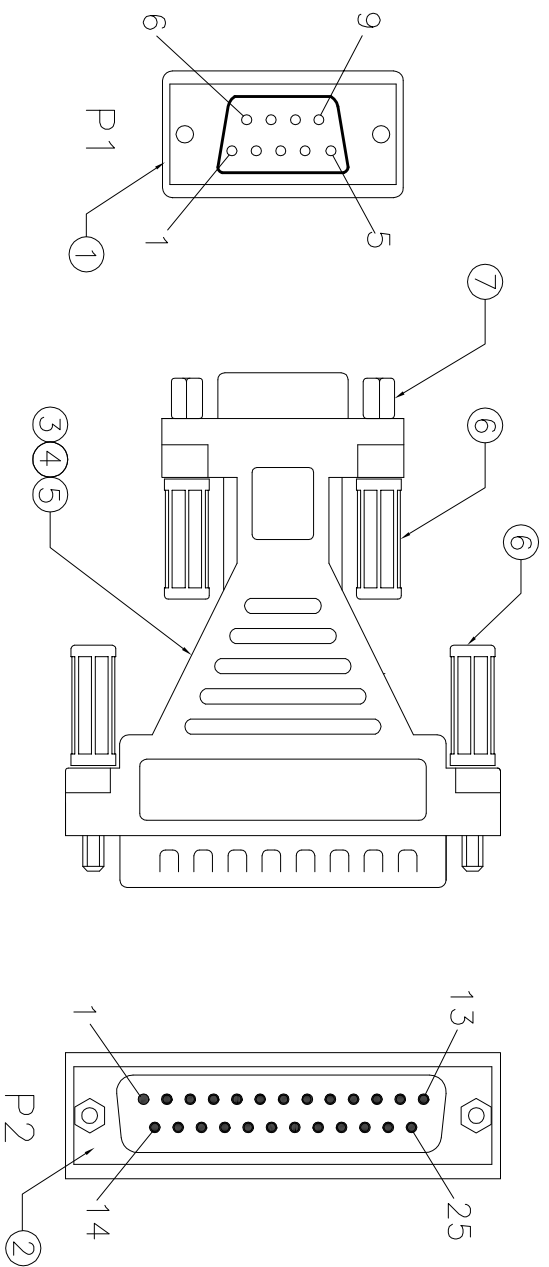
## Contact us

Tel: +86-755-8981 8866 Fax: +86-755-8427 6832

Email & Skype: info@chipsmall.com Web: www.chipsmall.com

Address: A1208, Overseas Decoration Building, #122 Zhenhua RD., Futian, Shenzhen, China



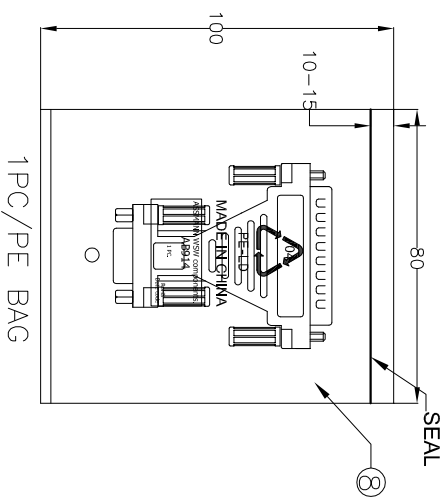


**Electrical test:**  
 1. 100% short, open, miss wire test  
 2. Conduct resistance: 2 Ohm(max)  
 3. Insulation resistance: 5Mohm(min)  
 4. Dielectric test: DC 300V

**PIN ASSIGNMENT:**

P1	P2
1	8
2	3
3	2
4	20
5	7
6	6
7	4
8	5
9	22
SHELL	SHELL

⑨	PE BAG	1/10	CLEAR SIZE: 170*250*0.05mm PRINT BLACK*MADE IN CHINA**+*10PCS*
⑧	PE BAG	1	CLEAR SIZE: 80*100*0.05mm PRINT BLACK*MADE IN CHINA**+*1PC*
⑦	NUT	2	UNT.#4-40UNC 4.75*5.9mm NICKEL PLATED
⑥	SCREW	4	THUMB SCERW #4-40UNC L21mm MOLD BEIGE(IV-29#)
⑤	OUT JACKET	30g	40P PVC BEIGE(IV-29#)
④	IN JACKET	7.8g	CLEAR LD-PE
③	CABLE	445mm	UL1007 26AWG COLOR BLACK L1=45mm*9PCS L2=50mm*1PCS.
②	CONN	1	DB25P MALE SOLDER TYPE PIN G/F, BLUE INSULATION SHELL-NICKEL,
①	CONN	1	DB9P FEMALE SOLDER TYPE G/F, BLUE INSULATION SHELL-NICKEL,
NO.	NAME	Q'TY	SPECIFICATION



1PC/PE BAG

**ROHS compliant**  
 Unit: mm

Scale	Free	Customer-No.	
TOLERANCE		Drawn	20.02.2017 Amy
		Approved	20.02.2017 Amy
DIM	TOL	ASSMANN WSW-No. AB914	
		Drawing-No. ASS 7868 CA rev00	
Angle	TOL	Replace Sheet	
		Id.	
		Modification	
		Date	
		Name	



1 2 3 4 5 6 7

A B C D E F G H