



Chipsmall Limited consists of a professional team with an average of over 10 year of expertise in the distribution of electronic components. Based in Hongkong, we have already established firm and mutual-benefit business relationships with customers from,Europe,America and south Asia,supplying obsolete and hard-to-find components to meet their specific needs.

With the principle of “Quality Parts,Customers Priority,Honest Operation,and Considerate Service”,our business mainly focus on the distribution of electronic components. Line cards we deal with include Microchip,ALPS,ROHM,Xilinx,Pulse,ON,Everlight and Freescale. Main products comprise IC,Modules,Potentiometer,IC Socket,Relay,Connector.Our parts cover such applications as commercial,industrial, and automotives areas.

We are looking forward to setting up business relationship with you and hope to provide you with the best service and solution. Let us make a better world for our industry!



Contact us

Tel: +86-755-8981 8866 Fax: +86-755-8427 6832

Email & Skype: info@chipsmall.com Web: www.chipsmall.com

Address: A1208, Overseas Decoration Building, #122 Zhenhua RD., Futian, Shenzhen, China



REV.	ECN NO.	DATE	SIGN	DESCRIPTION

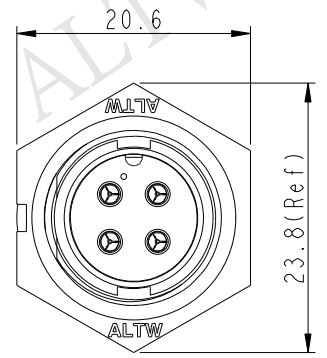
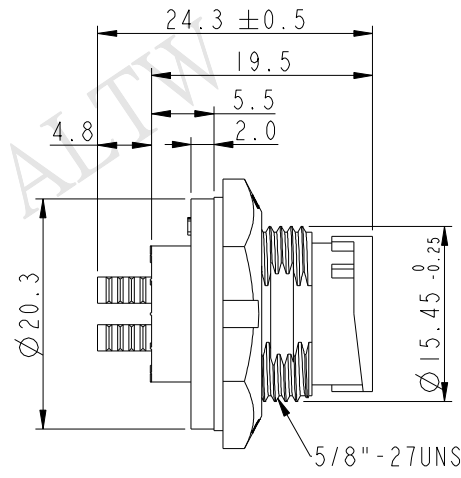
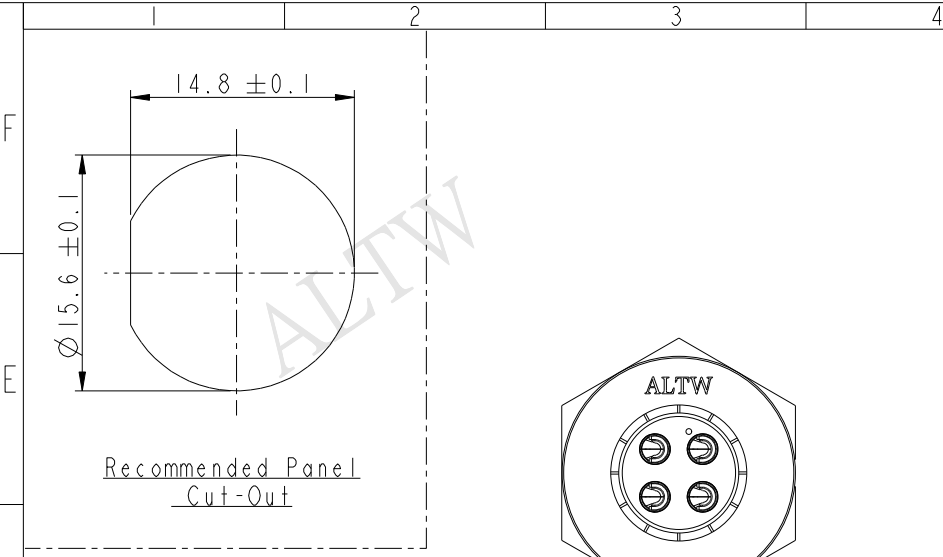
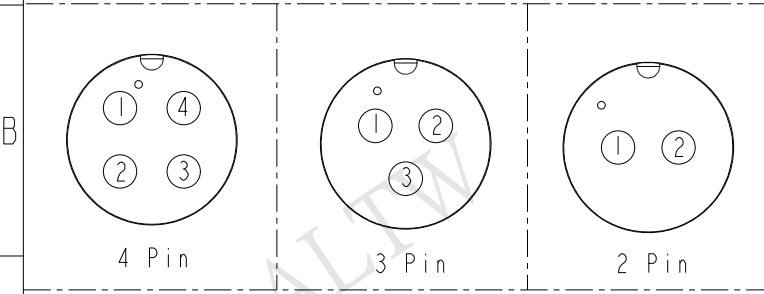
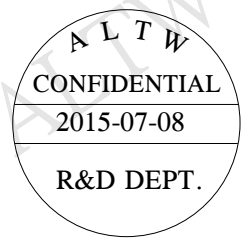
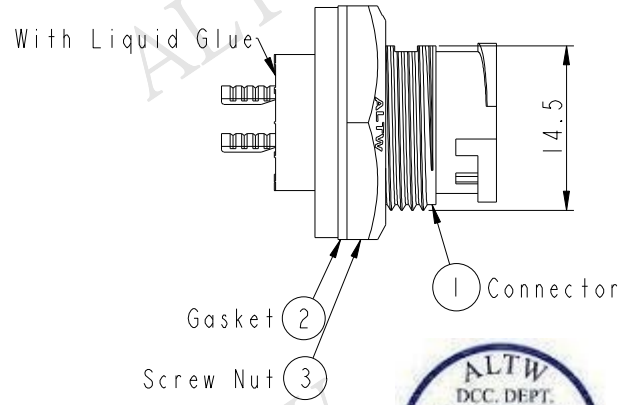


ABB-XXPMMS-LC7001
 02: 2Pin
 :
 04: 4Pin



Pin Assignments Front View

Note:
 * (QC) Important Dimension To Check.
 * Waterproof Rate: IP67
 * Housing: Nylon+GF, Black
 * Male Pin: Copper Alloy, Gold Plated.
 * Screw Nut: Nylon+GF, Black
 * Gasket: Silicone, Gray
 * Use with waterproof cap or dust cap
 Maximum Panel Thickness: 2.8mm
 * Use without waterproof cap or dust cap
 Maximum Panel Thickness: 4.0mm



UNIT: mm		TITLE STANDARD PANEL LOCK M CONN MPIN		
TOLERANCE .X ±0.25 .XX ±0.1 .XXX ±0.05 ANGLES ±1°		SCALE 3:2	SIZE A4	SHEET 1 OF 1
REV. A	WC-REV. A.1	QC: Inspection item		

Amphenol LTW
 安費諾亮泰企業股份有限公司

ITEM NO.	DRAWN BY Jinhai	DATE 2015-07-08
DWG NO. ABB-XXPMMS-LC7001	CHECKED BY Rensong	DATE 2015-07-08
CUSTOMER ALTW	APPROVED BY Jerry	DATE 2015-07-08

THIS DOCUMENT IS SUBJECT TO CHANGE WITHOUT NOTICE. IT IS CONFIDENTIAL AND A PROPERTY OF Amphenol LTW. DISCLOSURE TO THIRD PARTY HAS TO BE AUTHORIZED BY Amphenol LTW.