



Chipsmall Limited consists of a professional team with an average of over 10 year of expertise in the distribution of electronic components. Based in Hongkong, we have already established firm and mutual-benefit business relationships with customers from,Europe,America and south Asia,supplying obsolete and hard-to-find components to meet their specific needs.

With the principle of “Quality Parts,Customers Priority,Honest Operation,and Considerate Service”,our business mainly focus on the distribution of electronic components. Line cards we deal with include Microchip,ALPS,ROHM,Xilinx,Pulse,ON,Everlight and Freescale. Main products comprise IC,Modules,Potentiometer,IC Socket,Relay,Connector.Our parts cover such applications as commercial,industrial, and automotives areas.

We are looking forward to setting up business relationship with you and hope to provide you with the best service and solution. Let us make a better world for our industry!



Contact us

Tel: +86-755-8981 8866 Fax: +86-755-8427 6832

Email & Skype: info@chipsmall.com Web: www.chipsmall.com

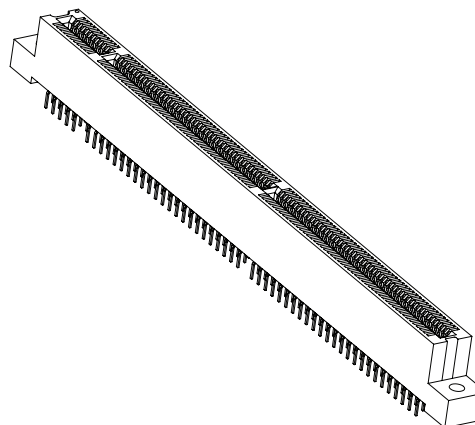
Address: A1208, Overseas Decoration Building, #122 Zhenhua RD., Futian, Shenzhen, China



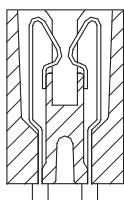


SPECIFICATIONS

- Accommodates .062" ± .008" [1.57 mm ± 0.20 mm] PC board (Consult factory for other board thicknesses)
- PPS or PA9T insulator
- Molded-in key available
- High reliability/high cycle hairpin bellow contacts
- 1 Amp current rating per contact for contacts fully energized
- UL Flammability Rating: 94V-0



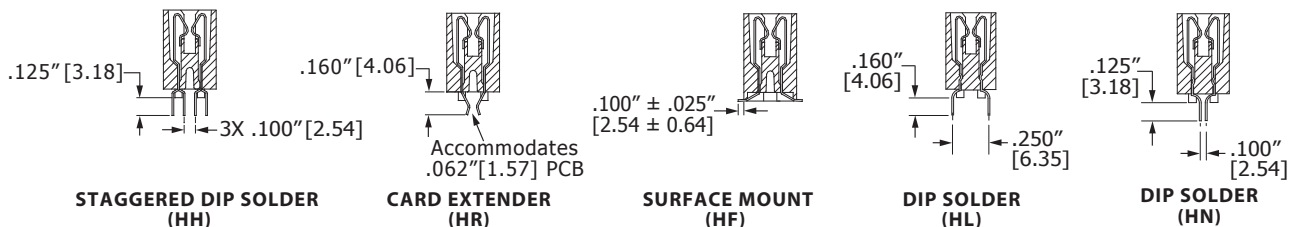
READOUT



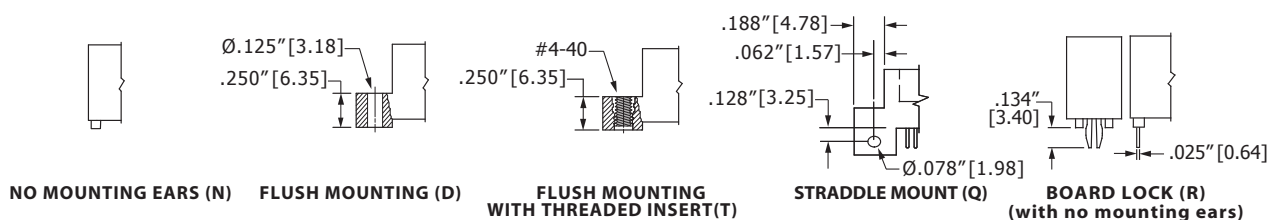
DUAL (D)

TERMINATION TYPE

Consult Factory for PC Board Layouts



MOUNTING STYLE





.050" [1.27 mm] Contact Centers, .610" [15.49 mm] Insulator Height, [MCA] Dip Solder/Card Extender/SMT

Industry Standard Part

High Density Card Edge

PART NUMBER OPTIONS

MATERIALS (INSULATOR/CONTACT)

- G = PA9T/Phosphor Bronze
- R = PPS/Phosphor Bronze
- J = PA9T/Beryllium Copper
- A = PPS/Beryllium Copper

Refer to Page 7 for Operating/Processing Temperatures

CONTACT FINISH - RoHS Compliant

All platings are Lead Free and have .000050" Nickel underplate

Contact Surface	Termination
B = .000010" Gold	.000100" Pure Tin, Matte
C = .000030" Gold	.000100" Pure Tin, Matte

CONTACT CENTERS

B = .050" [1.27 mm]

NUMBER OF CONTACT POSITIONS

56, 66, 91, 106

G B B 56 D HH D - S578

MODIFICATION (Consult Factory)

- S578 = Card Slot Barriers With Guide Posts
- S621 = Card Slot Barriers Without Guide Posts

MOUNTING STYLE

- N = No Mounting
- D = Flush Mounting
- T = Flush Mounting With Threaded Insert
- Q = Straddle Mount
(Card Extender Only - Consult Factory)
- R = Metal Board Lock

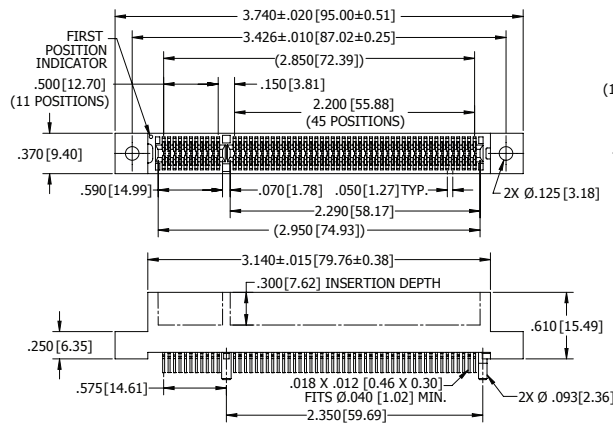
TERMINATION TYPE

- HH = Staggered Dip Solder
- HR = Card Extender
- HF = Surface Mount
- HL = .250" [6.35] X .160" [4.06] Dip Solder
- HN = .100" [2.54] X .125" [3.18] Dip Solder

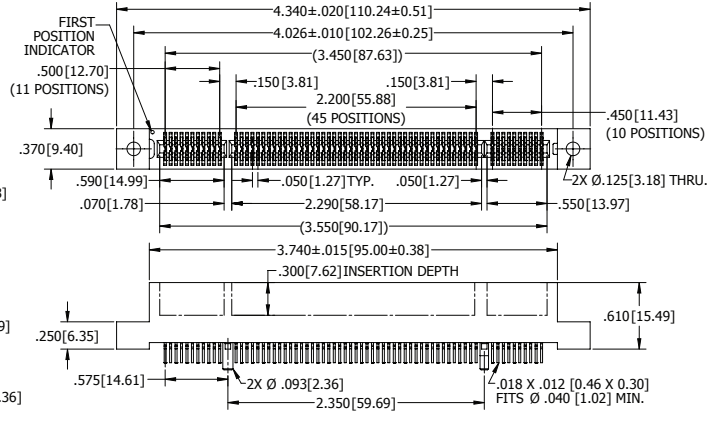
READOUT

D = Dual

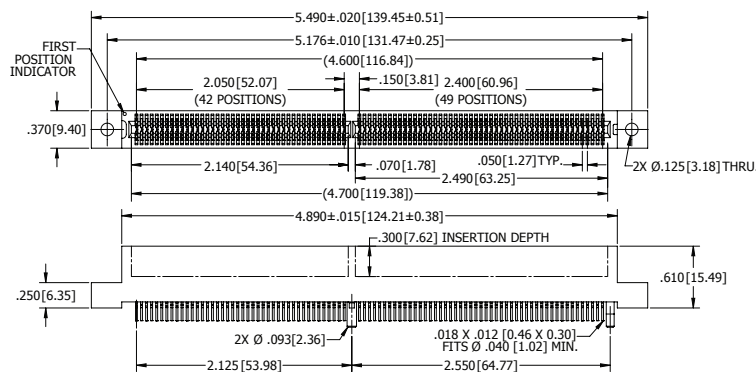
DIMENSIONS Dimensions in [] are in millimeters, all others are in inches.



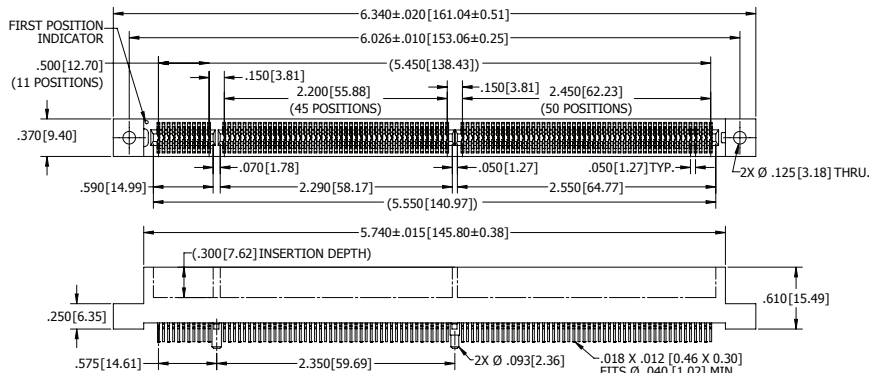
GBB56DHH-S578, 56 (11/45) POSITIONS



GBB66DHH-S578, 66 (11/45/10) POSITIONS



GBB91DHH-S578, 91 (42/49) POSITIONS



GBB106DHH-S578, 106 (11/45/50) POSITIONS