



Chipsmall Limited consists of a professional team with an average of over 10 year of expertise in the distribution of electronic components. Based in Hongkong, we have already established firm and mutual-benefit business relationships with customers from,Europe,America and south Asia,supplying obsolete and hard-to-find components to meet their specific needs.

With the principle of "Quality Parts,Customers Priority,Honest Operation,and Considerate Service",our business mainly focus on the distribution of electronic components. Line cards we deal with include Microchip,ALPS,ROHM,Xilinx,Pulse,ON,Everlight and Freescale. Main products comprise IC,Modules,Potentiometer,IC Socket,Relay,Connector.Our parts cover such applications as commercial,industrial, and automotives areas.

We are looking forward to setting up business relationship with you and hope to provide you with the best service and solution. Let us make a better world for our industry!



## Contact us

Tel: +86-755-8981 8866 Fax: +86-755-8427 6832

Email & Skype: info@chipsmall.com Web: www.chipsmall.com

Address: A1208, Overseas Decoration Building, #122 Zhenhua RD., Futian, Shenzhen, China

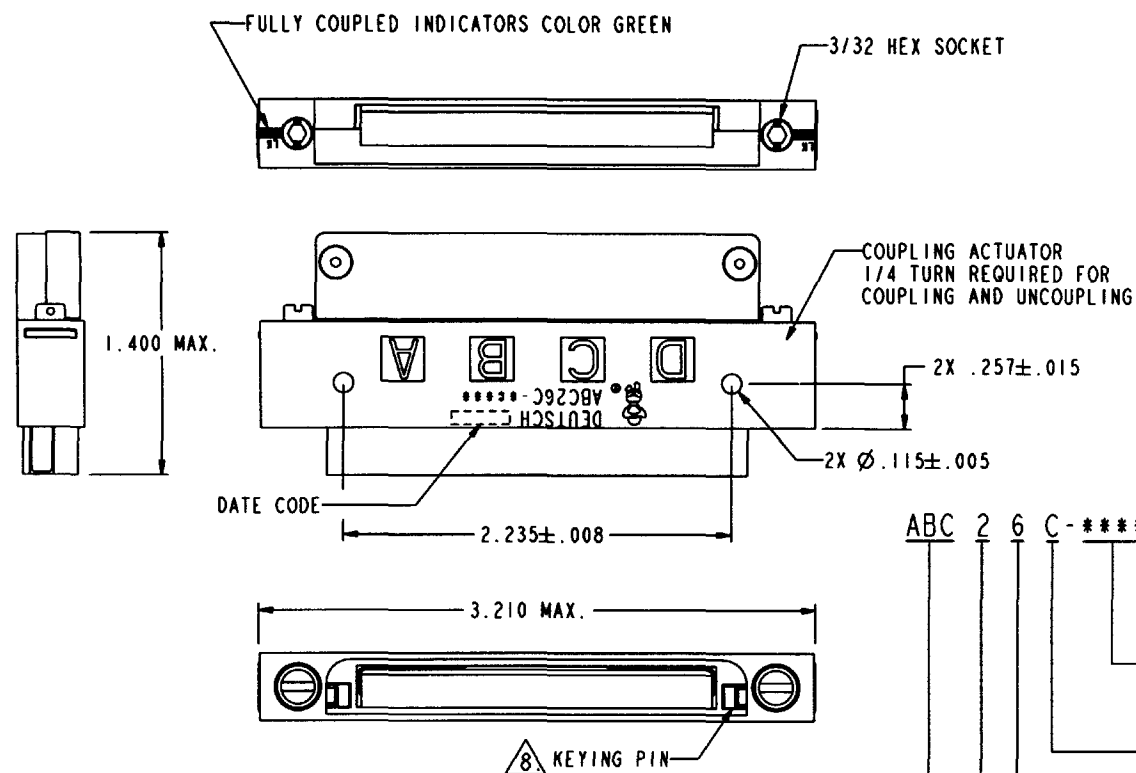


PROPERTY OF DEUTSCH E.C.D.

This drawing contains proprietary information that shall not be disclosed, duplicated, nor used in whole or in part for any purpose other than to evaluate this drawing.

B ABC26C-\*\*\*\*\*

REVISIONS			
REV	DESCRIPTION	DATE	APPROVED
B	REVISED & REDRAWN PER E.O. C5537	3/14/03	AR



ABC 2 6 C-\*\*\*\* \*-\*\*\*\*

- MODIFICATION
- KEYING POSITIONS: A THRU Y  $\Delta$  8  
SEE ENV. DWG 55500
- MODULE ARRANGEMENTS  
SEE ENVELOPE DWG. 55500  
0000 = 2 INCH SHELL W/ NO MODULES
- STYLE C = DYNAMIC QUARTER LOCK
- TYPES  
6 = PLUG
- SHELL SIZES  
2 = 2 INCH
- BASIC IDENTIFIER

$\Delta$  8 WHEN NO LETTER IS CALLED OUT, KEYING PINS ARE SHIPPED LOOSE AND INSTALLED BY CUSTOMER (EXAMPLE P/N: ABC26C-0000). IF LETTER A-Y IS CALLED OUT FACTORY INSTALLS THE KEYING PINS (EXAMPLE P/N: ABC26-0000A).

7. FOR INSERT ARRANGEMENTS AND KEYING POSITIONS SEE ENVELOPE DRAWING 55500.
6. SEE DEUTSCH ENVELOPE DRAWINGS FOR CRIMP TOOL AND POSITIONER. FOR SOCKET CONTACTS SEE 12336-\*\*. FOR PIN CONTACTS SEE 12331-\*\*.
5. MATES WITH ABC RECEPTACLE CONNECTOR
4. FINISH: SHELL - DEUTSCH SPECIAL METALIZED SURFACE. CONTACTS - GOLD OVER NICKEL
3. MATERIAL: SHELL - COMPOSITE MATERIAL  
METAL COMPONENTS - STAINLESS STEEL
2. FOR AVAILABILITY CONSULT FACTORY.
1. DIMENSIONS ARE IN INCHES UNLESS OTHERWISE SPECIFIED.

SIGNATURE & DATE		PLUG 2 INCH DOL DYNAMIC QUARTER LOCK COUPLING ABC CONNECTOR ENVELOPE	CP	MATL CODE
DR	J. FRIEDHOF 1-27-03		DEUTSCH ENGINEERED CONNECTING DEVICES	
CHK	AR 3/14/03		5733 W. Whittier Ave. Hemet, California	
PE	J. FRIEDHOF 1-27-03		A	ABC26C-*****
APPD	AR 1-27-03		CODE 11139	SHEET   OF
SCALE	1/100	BT NONE		