



Chipsmall Limited consists of a professional team with an average of over 10 year of expertise in the distribution of electronic components. Based in Hongkong, we have already established firm and mutual-benefit business relationships with customers from,Europe,America and south Asia,supplying obsolete and hard-to-find components to meet their specific needs.

With the principle of “Quality Parts,Customers Priority,Honest Operation,and Considerate Service”,our business mainly focus on the distribution of electronic components. Line cards we deal with include Microchip,ALPS,ROHM,Xilinx,Pulse,ON,Everlight and Freescale. Main products comprise IC,Modules,Potentiometer,IC Socket,Relay,Connector.Our parts cover such applications as commercial,industrial, and automotives areas.

We are looking forward to setting up business relationship with you and hope to provide you with the best service and solution. Let us make a better world for our industry!



Contact us

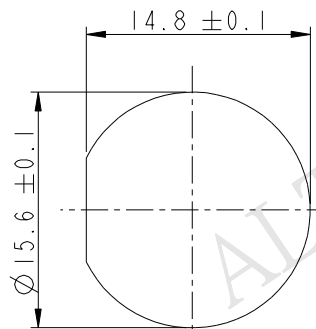
Tel: +86-755-8981 8866 Fax: +86-755-8427 6832

Email & Skype: info@chipsmall.com Web: www.chipsmall.com

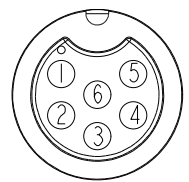
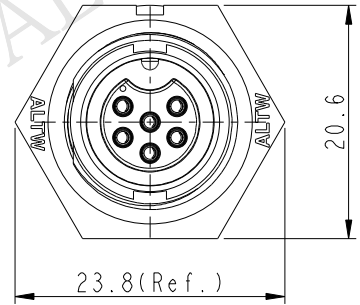
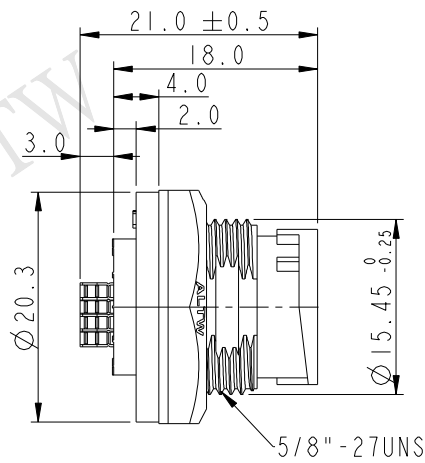
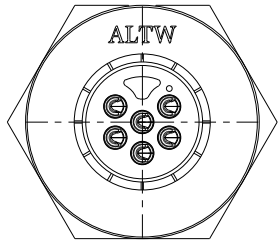
Address: A1208, Overseas Decoration Building, #122 Zhenhua RD., Futian, Shenzhen, China



REV.	ECN NO.	DATE	SIGN	DESCRIPTION



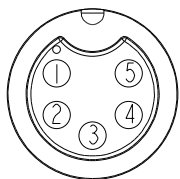
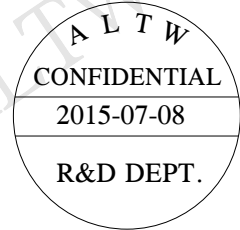
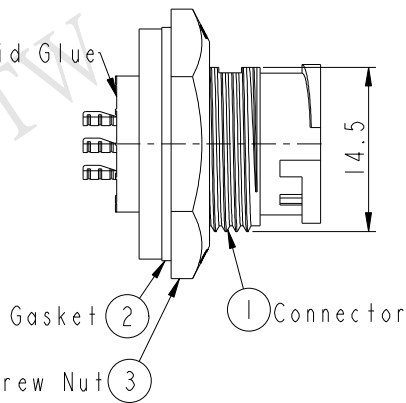
Recommended Panel Cut-Out



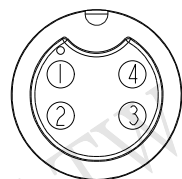
6 Pin Pin Assignments Front View

ABD-XXPMFS-LC7001
 02: 2Pin
 06: 6Pin

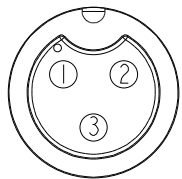
With Liquid Glue



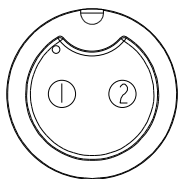
5 Pin



4 Pin



3 Pin



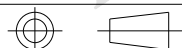
2 Pin

Pin Assignments Front View

Note:

- * (Circled) Important Dimension To Check.
- * Waterproof Rate: IP67
- * Housing: Nylon+GF, Black
- * Female Pin: Copper Alloy, Gold Plated.
- * Screw Nut: Nylon+GF, Black
- * Gasket: Silicone, Gray
- * Use with waterproof cap or dust cap
Maximum Panel Thickness: 2.8mm
- * Use without waterproof cap or dust cap
Maximum Panel Thickness: 4.0mm

UNIT: mm



TITLE STANDARD PANEL LOCK M CONN F PIN			
SCALE 3:2	SIZE A4	SHEET 1 OF 1	
REV. A	WC-REV. A.1	QC: Inspection item	

Amphenol LTW
 安費諾亮泰企業股份有限公司

ITEM NO.	DRAWN BY Jinhai	DATE 2015-07-08
DWG NO. ABD-XXPMFS-LC7001	CHECKED BY Rensong	DATE 2015-07-08
CUSTOMER ALTW	APPROVED BY Jerry	DATE 2015-07-08

THIS DOCUMENT IS SUBJECT TO CHANGE WITHOUT NOTICE. IT IS CONFIDENTIAL AND A PROPERTY OF AMPHENOL LTW. DISCLOSURE TO THIRD PARTY HAS TO BE AUTHORIZED BY AMPHENOL LTW.