



Chipsmall Limited consists of a professional team with an average of over 10 year of expertise in the distribution of electronic components. Based in Hongkong, we have already established firm and mutual-benefit business relationships with customers from,Europe,America and south Asia,supplying obsolete and hard-to-find components to meet their specific needs.

With the principle of “Quality Parts,Customers Priority,Honest Operation,and Considerate Service”,our business mainly focus on the distribution of electronic components. Line cards we deal with include Microchip,ALPS,ROHM,Xilinx,Pulse,ON,Everlight and Freescale. Main products comprise IC,Modules,Potentiometer,IC Socket,Relay,Connector.Our parts cover such applications as commercial,industrial, and automotives areas.

We are looking forward to setting up business relationship with you and hope to provide you with the best service and solution. Let us make a better world for our industry!



Contact us

Tel: +86-755-8981 8866 Fax: +86-755-8427 6832

Email & Skype: info@chipsmall.com Web: www.chipsmall.com

Address: A1208, Overseas Decoration Building, #122 Zhenhua RD., Futian, Shenzhen, China

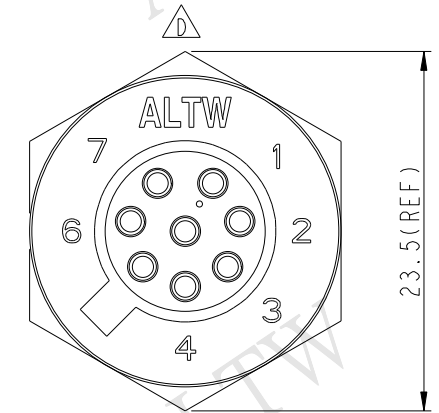
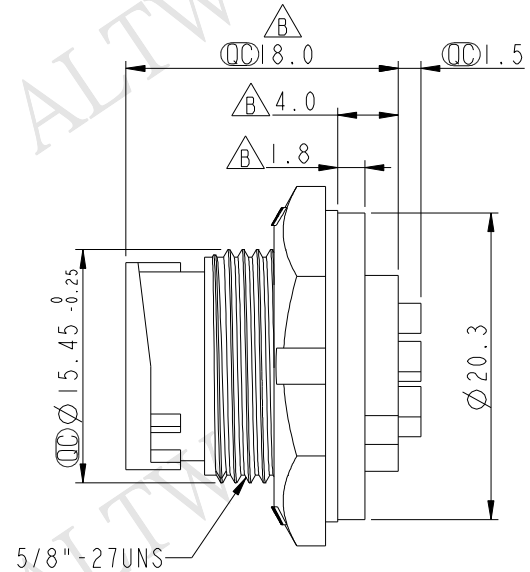
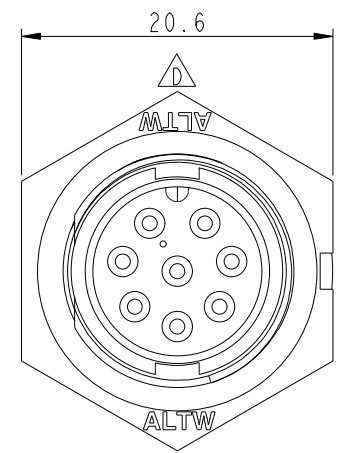


THIS DOCUMENT IS SUBJECT TO CHANGE WITHOUT NOTICE. IT IS CONFIDENTIAL AND A PROPERTY OF AMPHENOL LTW. DISCLOSURE TO THIRD PARTY HAS TO BE AUTHORIZED BY AMPHENOL LTW.

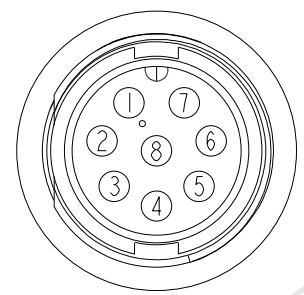
REV.	ECN NO.	DATE	SIGN	DESCRIPTION
B		2007/04/24	J.Espiritu	Change Precision Of Dimension 18.00 To 18.0, 4.00 To 4.0, 1.80 To 1.8 And Apply New Format
C	LEN-8B0404	2008/09/17	Shin	Add Note
D	LEN1530130	2014/12/18	Jinhai	Change Logo

ALTW
CONFIDENTIAL
 2014-12-18
R&D DEPT.

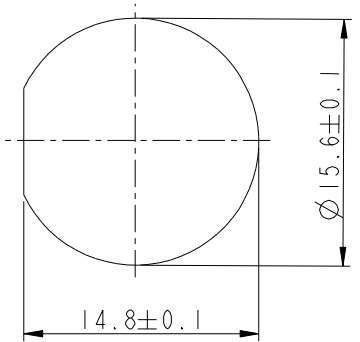
ALTW
 DCC. DEPT. CONFIDENTIAL
 2015.03.19
ISSUED



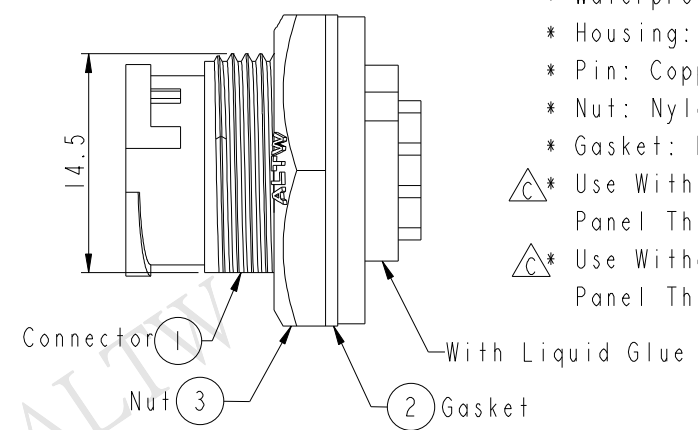
- Note:
- * CC Important Dimension To Check.
 - * Waterproof Rate: IP67
 - * Housing: Nylon+GF, Black
 - * Pin: Copper Alloy, Gold Plated
 - * Nut: Nylon+GF, Black
 - * Gasket: EPDM, Black
 - \triangle * Use With Waterproof Cap Or Dust Cap
Panel Thickness Max: 3.0mm
 - \triangle * Use Without Waterproof Cap Or Dust Cap
Panel Thickness Max: 4.5mm



Pin Assignments
Front View



Recommended Panel Cut-out



UNIT: mm		
TOLERANCE	.X ±0.25	.XX ±0.1
.XXX ±0.05		
ANGLES	±1°	

TITLE Standard Panel Lock 8Pin M Conn M Pin			
SCALE 2:1	SIZE A4	SHEET 1 OF 1	
REV. D	WC-REV. A.2	CC : Inspection item	

Amphenol LTW
 安費諾亮泰企業股份有限公司

ITEM NO. BD-08PMMS-LC7001	DRAWN BY Jinhai	DATE 2014-12-18
DWG NO. BD-08PMMS-LC7001	CHECKED BY Tom	DATE 2014-12-18
CUSTOMER ALTW	APPROVED BY Jerry	DATE 2014-12-18