



Chipsmall Limited consists of a professional team with an average of over 10 year of expertise in the distribution of electronic components. Based in Hongkong, we have already established firm and mutual-benefit business relationships with customers from,Europe,America and south Asia,supplying obsolete and hard-to-find components to meet their specific needs.

With the principle of “Quality Parts,Customers Priority,Honest Operation,and Considerate Service”,our business mainly focus on the distribution of electronic components. Line cards we deal with include Microchip,ALPS,ROHM,Xilinx,Pulse,ON,Everlight and Freescale. Main products comprise IC,Modules,Potentiometer,IC Socket,Relay,Connector.Our parts cover such applications as commercial,industrial, and automotives areas.

We are looking forward to setting up business relationship with you and hope to provide you with the best service and solution. Let us make a better world for our industry!



## Contact us

Tel: +86-755-8981 8866 Fax: +86-755-8427 6832

Email & Skype: info@chipsmall.com Web: www.chipsmall.com

Address: A1208, Overseas Decoration Building, #122 Zhenhua RD., Futian, Shenzhen, China



REVISIONS				
REV.	ECO. NO	DESCRIPTION	DATE	BY
B	1393	TABULATE MATERIALS	6/19/2007	MNH
C	1836	ADD PROCESSING TEMP, REMOVED 'S' MOUNTING, ADDED 'E' & 'H' MATERIAL IN P/N CODING, REMOVED STANDOFF ON E_DHRD & E_DHRT, MODIFIED STANDARDOFF ON E_DHRN	6/04/2009	JH
D	2139	REMOVE 'E' & 'H' MATERIAL OPTIONS, CHANGE PRIMARY DIM. TO METRIC, UPDATE NOTES	5/12/2010	JH
E	2944	ADD PCB LAYOUT, UPDATE PROCESSING TEMPERATURES, UPDATE DWG FORMAT	3/26/2014	JHSU
F	2972	ADD 'Q' MOUNTING STYLE	5/14/2014	JHSU
G	3043	UPDATE PIN DIMENSION FROM 0.36[.014] TO 0.46[.018]	8/22/2014	JHSU

**PART NUMBER CODING**

**MATERIAL (INSULATOR/CONTACT)**

**R = PPS/PHOSPHOR BRONZE**  
 OPERATING TEMP: -65°C TO +125°C  
 PROCESSING TEMP: 260°C MAX FOR 20 SECONDS

**G = PA9T/PHOSPHOR BRONZE**  
 OPERATING TEMP: -65°C TO +125°C  
 PROCESSING TEMP: 260°C MAX FOR 20 SECONDS

**A = PPS/BERYLLIUM COPPER**  
 OPERATING TEMP: -65°C TO +150°C  
 PROCESSING TEMP: 260°C MAX FOR 20 SECONDS

**J = PA9T/BERYLLIUM COPPER**  
 OPERATING TEMP: -65°C TO +150°C  
 PROCESSING TEMP: 260°C MAX FOR 20 SECONDS

**MOUNTING STYLE**

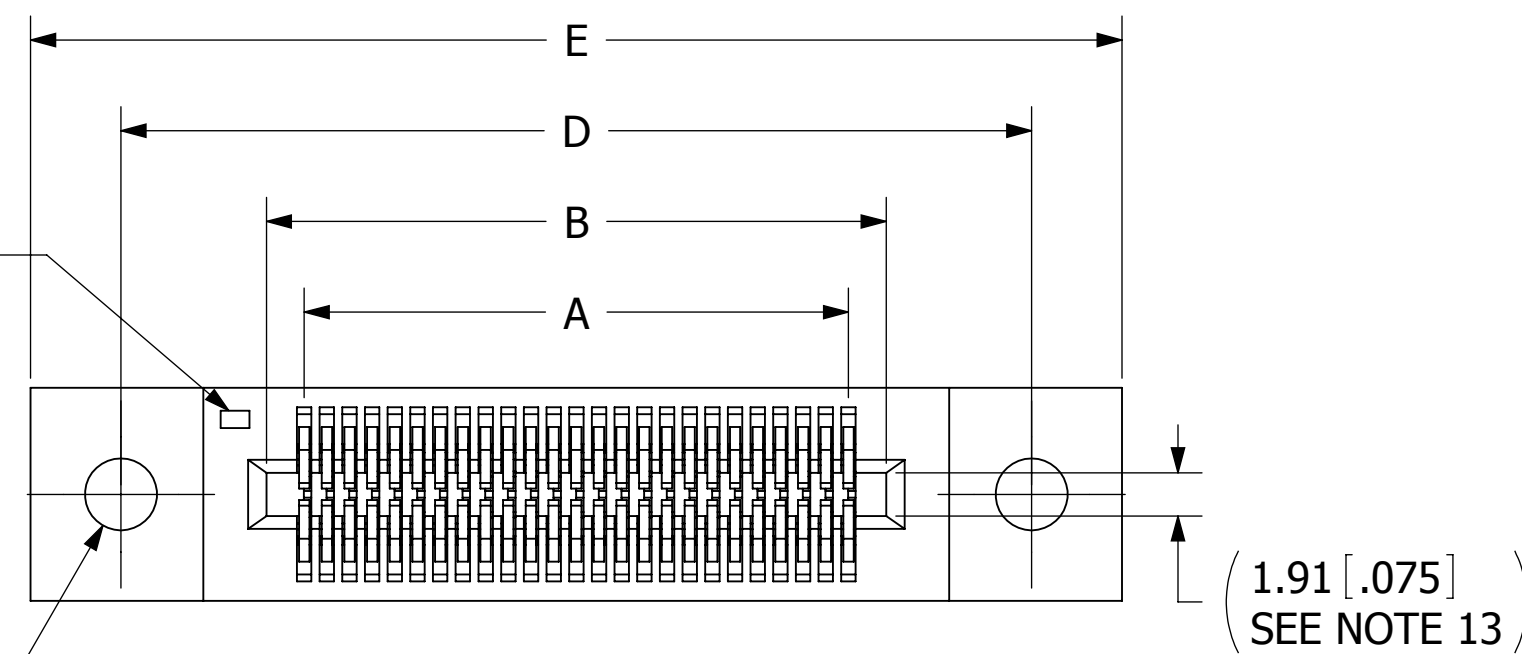
D = FLUSH MOUNTING  
 N = NO MOUNTING EARS  
 T = FLUSH MTG. WITH THRD INSERT  
 Q = STRADDLE MOUNT

**NUMBER OF POSITIONS**  
 (CONTACTS PER ROW)

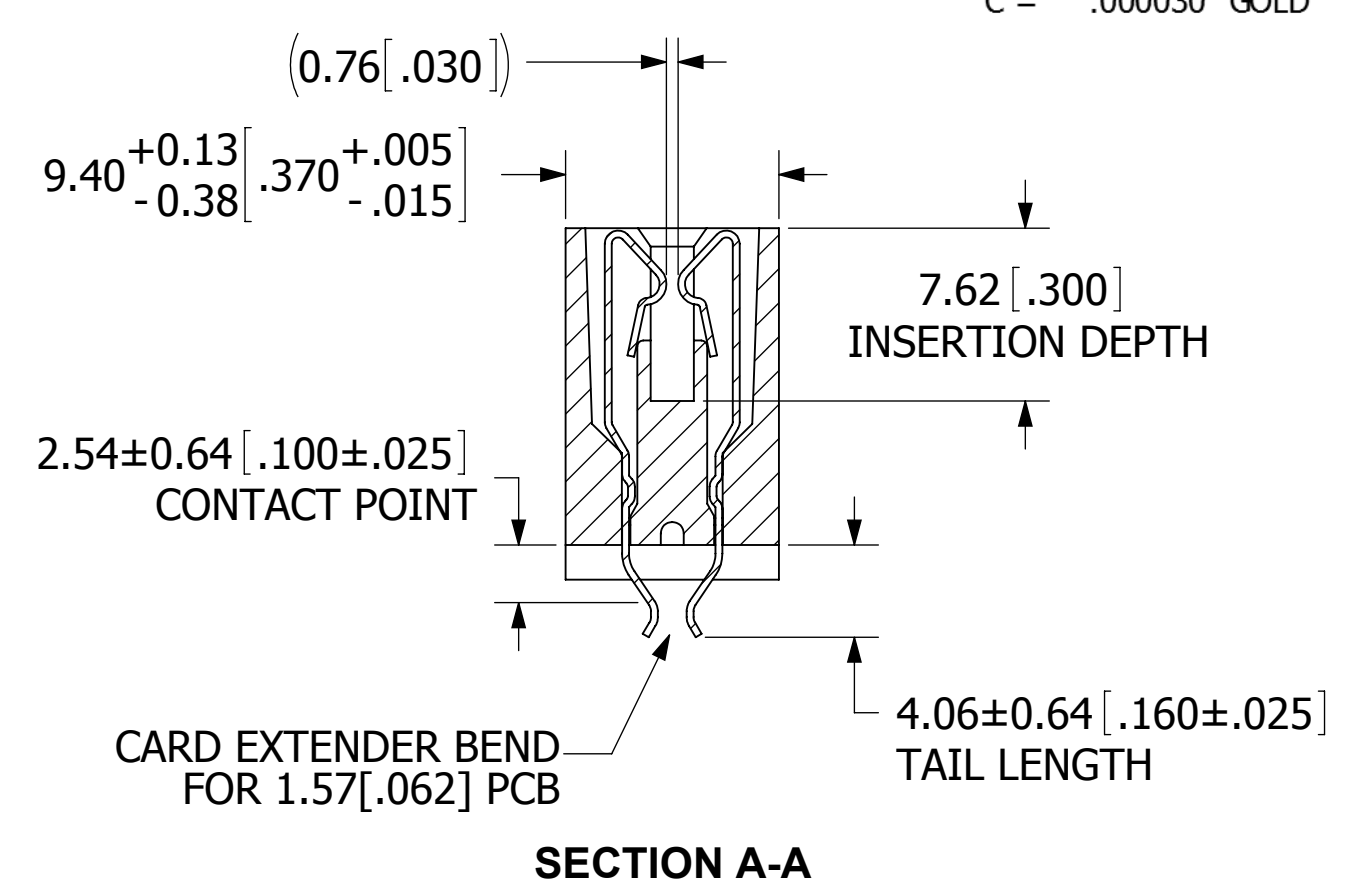
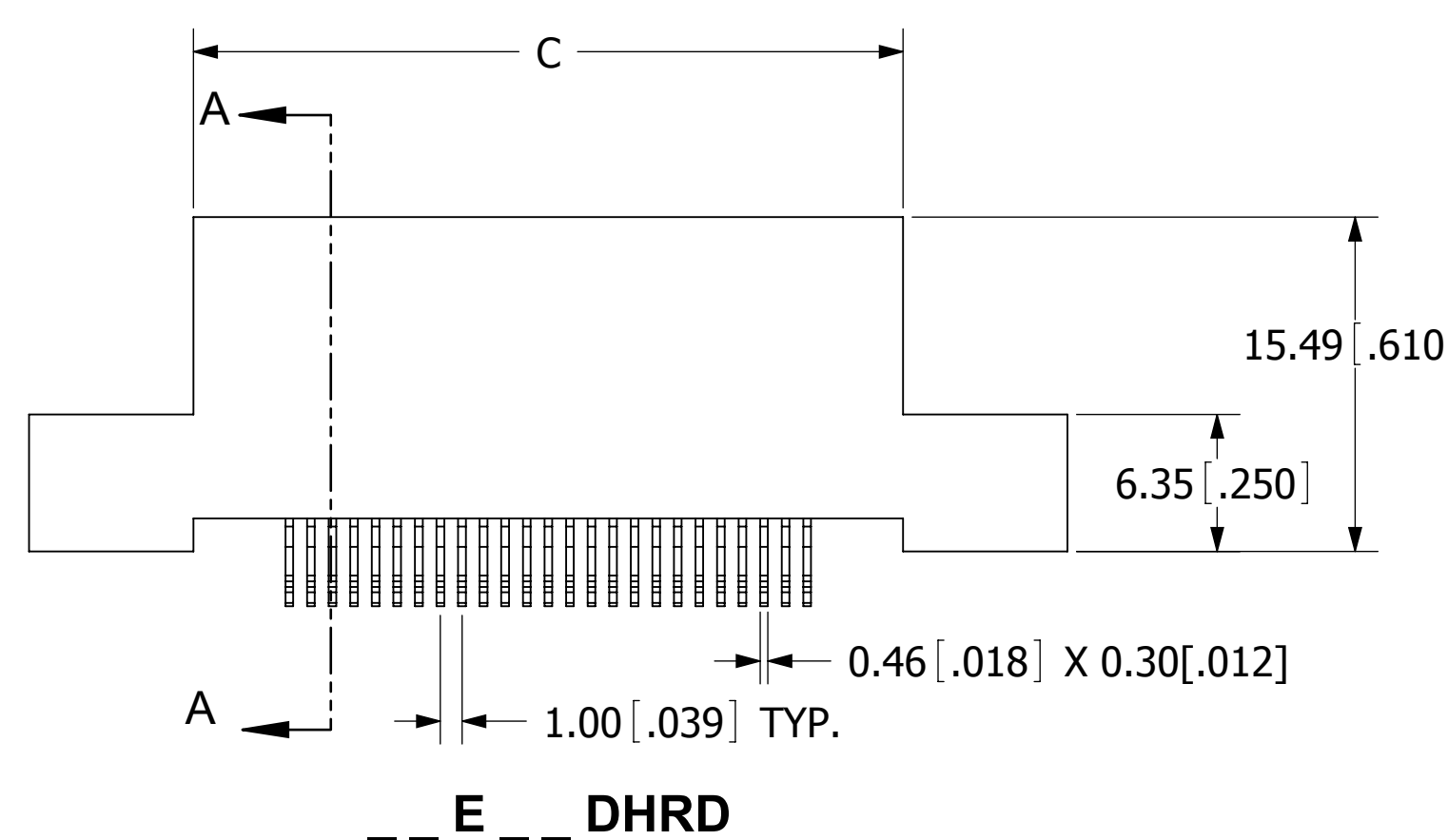
**PLATING**

ALL PLATINGS HAVE .000050" NICKEL UNDERPLATE

CONTACT SURFACE	TERMINATION
B = .000010" GOLD	.000100" PURE TIN, MATTE
C = .000030" GOLD	.000100" PURE TIN, MATTE



2X  $\phi$  3.18 [.125]



- NOTES:**
- INSULATOR MATERIAL: SEE PART NUMBER CODING
  - CONTACT MATERIAL: SEE PART NUMBER CODING
  - PLATING: SEE PART NUMBER CODING
  - OPERATING TEMPERATURE: SEE PART NUMBER CODING
  - PROCESSING TEMP: SEE PART NUMBER CODING
  - UL FLAMMABILITY RATING: 94V-0
  - OPERATING VOLTAGE: 225 VAC MINIMUM AT SEA LEVEL
  - CURRENT RATING: 1 AMP
  - CONTACT RESISTANCE: 30 MILLI OHMS MAX
  - INSULATION RESISTANCE: 5000 MEGA OHMS
  - DURABILITY: 500 CYCLES MIN
  - CONNECTOR IDENTIFICATION: THE PART SHALL BE MARKED WITH A PART NUMBER AND LOT CODE
  - BOARD THICKNESS ACCOMMODATED: 1.57±0.20 [.062±.008]
  - INSERTION FORCE: 6 OZ MAX PER CONTACT PAIR WHEN USING A 1.57 [.062] TEST BLADE
  - WITHDRAWAL FORCE: 1 OZ MIN PER CONTACT PAIR USING 1.57 [.062] PCB

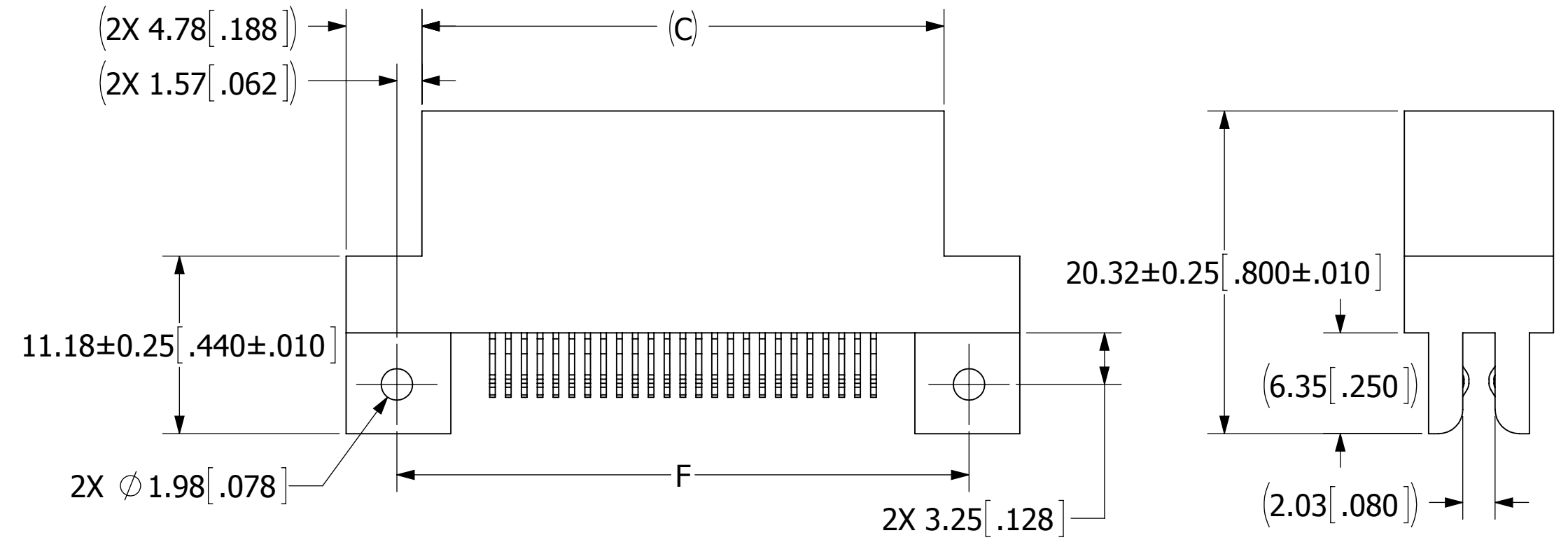
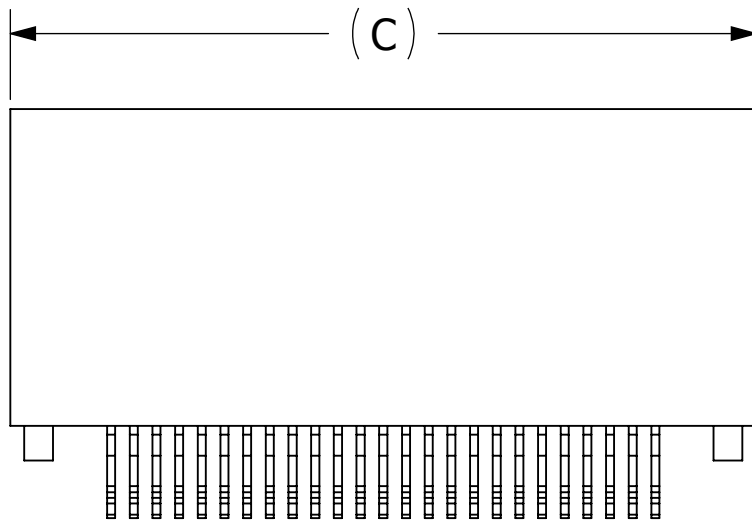
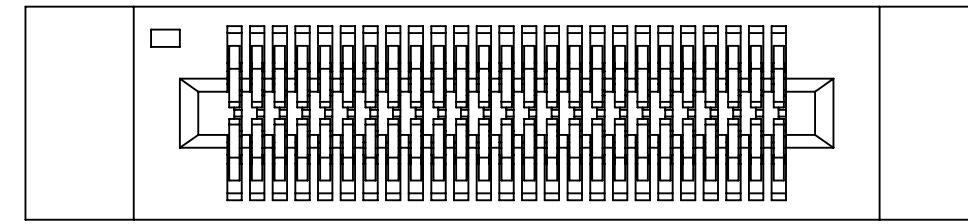
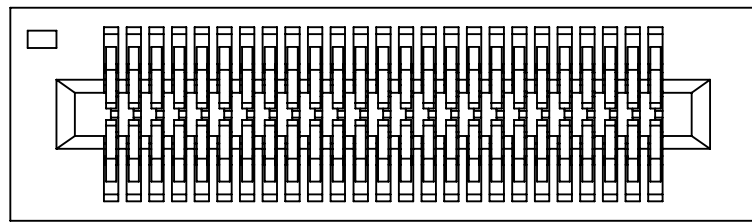


UNLESS OTHERWISE SPECIFIED: DIMENSIONS ARE IN MM [INCHES]

TOLERANCES:  
 ANGULAR: ± 1°  
 DECIMALS  
 .X = ± .5 [.02]  
 .XX = ± .13 [.005]  
 .XXX = ± .013 [.0005]

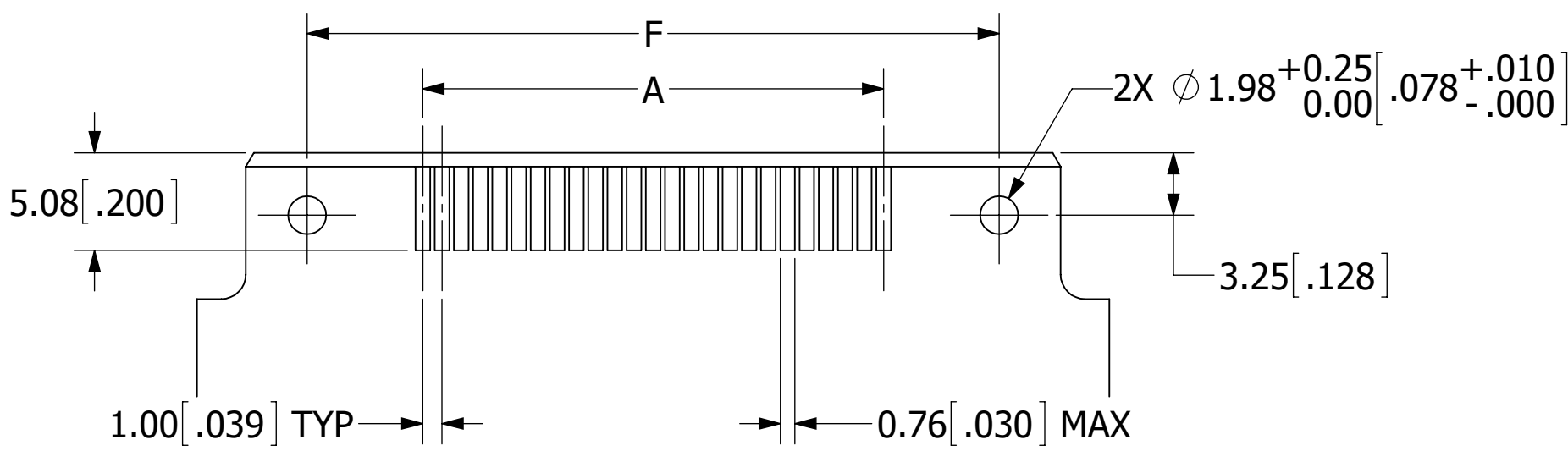
DRAWN	DATE	NAME	
	12/19/2005	HT	
<small>THE INFORMATION HEREIN CONTAINS PROPRIETARY INFORMATION OF SULLINS ELECTRONICS AND IS NOT TO BE REPRODUCED, USED OR DISCLOSED TO OTHERS FOR ANY PURPOSE EXCEPT AS SPECIFICALLY AUTHORIZED IN WRITING BY AN OFFICER OF SULLINS ELECTRONICS.</small>			TITLE
			EDGECARD, 1mm CC
			PART NUMBER
			__ E __ DHR __
SIZE	CAGE CODE	DWG. NO.	REV
C	54453	C10645	G
SCALE: 3:1		SHEET 1 OF 3	

**CUSTOMER COPY**

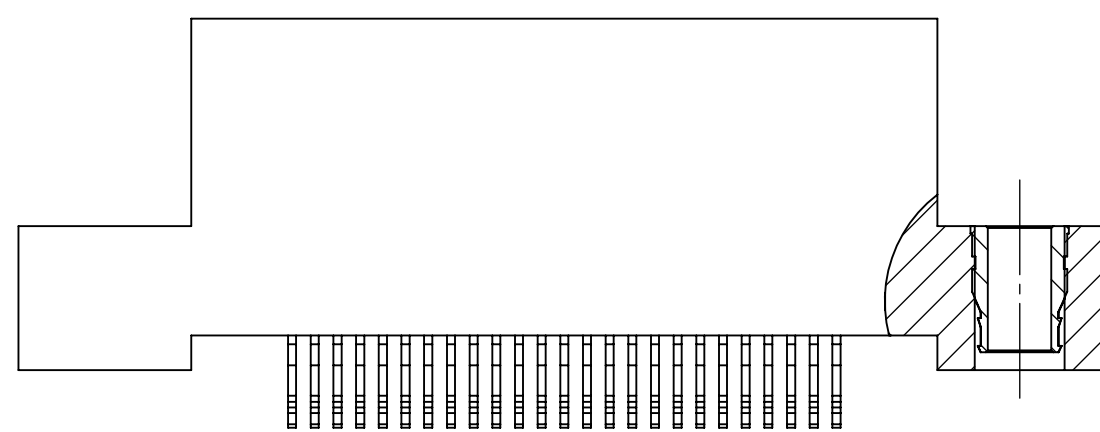
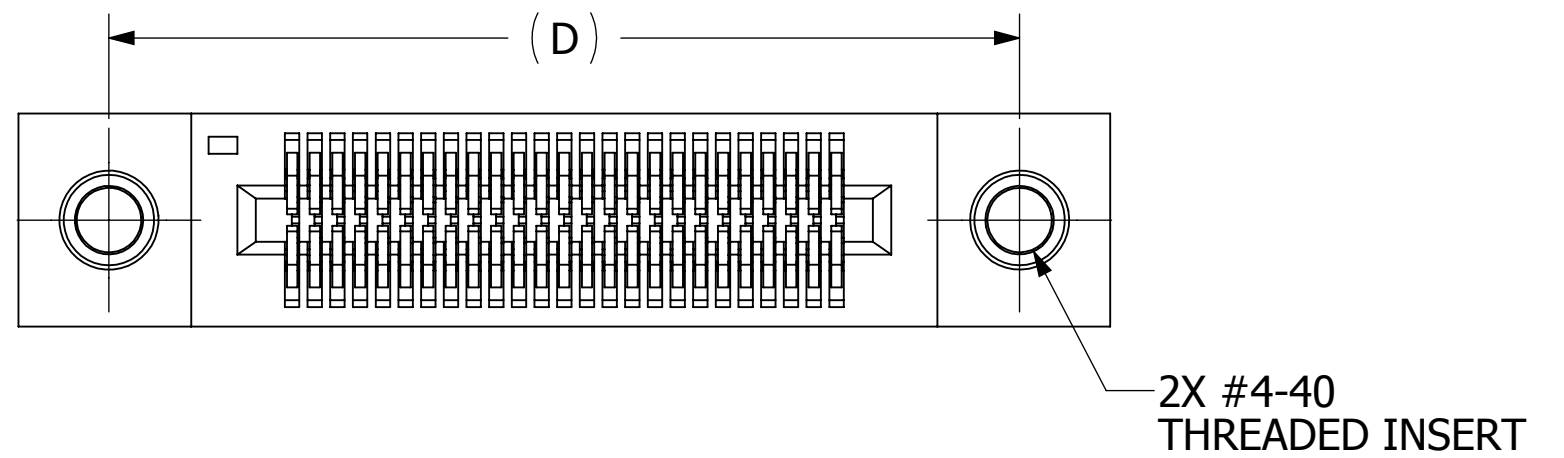


\_\_ E \_\_ DHRN

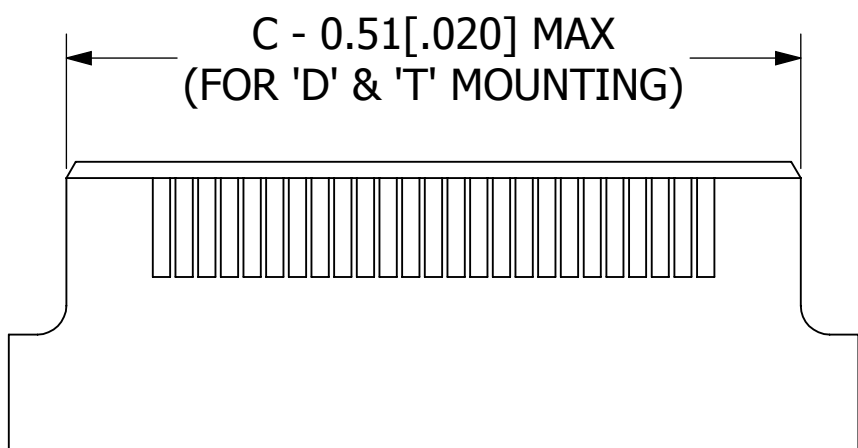
\_\_ E \_\_ DHRQ



RECOMMENDED PCB LAYOUT  
(FOR 'Q' MOUNTING)

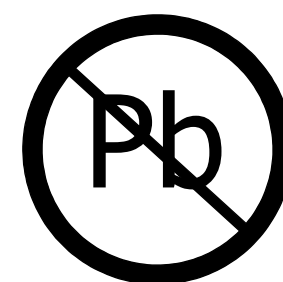


\_\_ E \_\_ DHRT



RECOMMENDED PCB LAYOUT  
(FOR 'D', 'T', AND 'N' MOUNTING)

**CUSTOMER COPY**

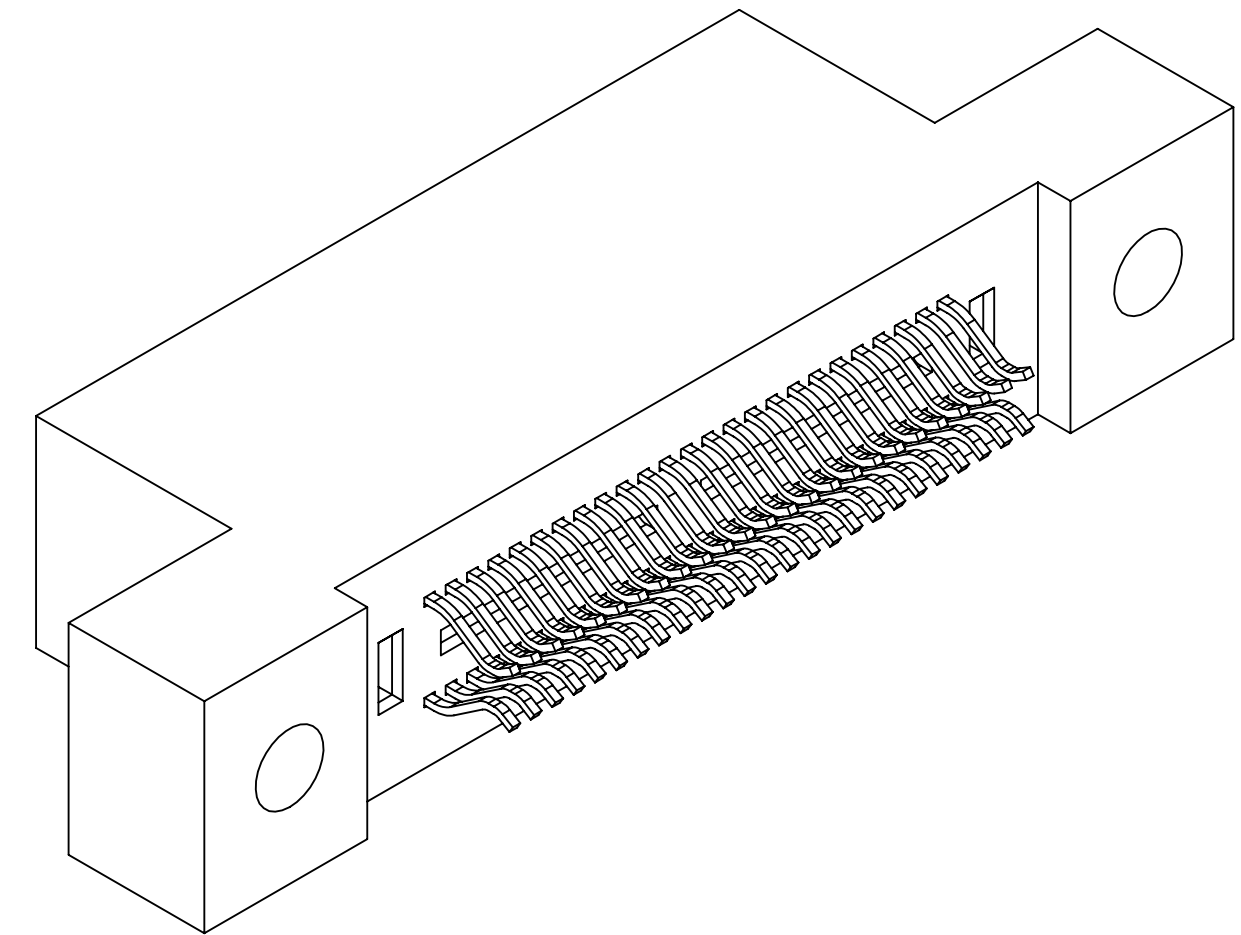


RoHS COMPLIANT

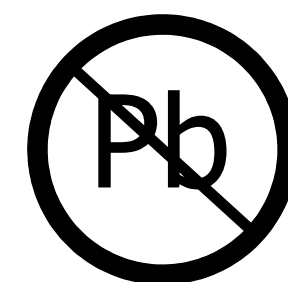
UNLESS OTHERWISE SPECIFIED: DIMENSIONS ARE IN MM [INCHES]		DRAWN	DATE	NAME	
TOLERANCES: ANGULAR: ± 1° DECIMALS .X=± .5 [.02] .XX=± .13 [.005] .XXX=± .013 [.0005]		12/19/2005	HT		
<small>THE INFORMATION HEREIN CONTAINS PROPRIETARY INFORMATION OF SULLINS ELECTRONICS AND IS NOT TO BE REPRODUCED, USED OR DISCLOSED TO OTHERS FOR ANY PURPOSE EXCEPT AS SPECIFICALLY AUTHORIZED IN WRITING BY AN OFFICER OF SULLINS ELECTRONICS.</small>					TITLE
					EDGECARD, 1mm CC
					PART NUMBER
					__ E __ DHR __
SIZE	CAGE CODE	DWG. NO.		REV	
C	54453	C10645		G	
SCALE: 3:1		SHEET 2 OF 3			



PART NUMBER	NO OF POSITIONS	A±0.13[±.005]		B±0.13[±.005]		C±0.38[±.015]		D±0.25[±.010]		E±0.51[±.020]		F±0.25[±.010]	
		INCHES	MM	INCHES	MM	INCHES	MM	INCHES	MM	INCHES	MM	INCHES	MM
__E02DHR__	2	0.039	1.00	0.170	4.32	0.389	9.89	0.675	17.15	0.989	25.13	0.513	13.03
__E03DHR__	3	0.079	2.00	0.210	5.32	0.429	10.89	0.715	18.15	1.029	26.13	0.553	14.05
__E04DHR__	4	0.118	3.00	0.249	6.32	0.468	11.89	0.754	19.15	1.068	27.13	0.592	15.04
__E05DHR__	5	0.157	4.00	0.288	7.32	0.507	12.89	0.793	20.15	1.107	28.13	0.631	16.03
__E06DHR__	6	0.197	5.00	0.328	8.32	0.547	13.89	0.833	21.15	1.147	29.13	0.671	17.04
__E07DHR__	7	0.236	6.00	0.367	9.32	0.586	14.89	0.872	22.15	1.186	30.13	0.710	18.03
__E08DHR__	8	0.276	7.00	0.407	10.32	0.626	15.89	0.912	23.15	1.226	31.13	0.750	19.05
__E09DHR__	9	0.315	8.00	0.446	11.32	0.665	16.89	0.951	24.15	1.265	32.13	0.789	20.04
__E10DHR__	10	0.354	9.00	0.485	12.32	0.704	17.89	0.990	25.15	1.304	33.13	0.828	21.03
__E11DHR__	11	0.394	10.00	0.525	13.32	0.744	18.89	1.030	26.15	1.344	34.13	0.868	22.05
__E12DHR__	12	0.433	11.00	0.564	14.32	0.783	19.89	1.069	27.15	1.383	35.13	0.907	23.04
__E13DHR__	13	0.472	12.00	0.603	15.32	0.822	20.89	1.108	28.15	1.422	36.13	0.946	24.03
__E14DHR__	14	0.512	13.00	0.643	16.32	0.862	21.89	1.148	29.15	1.462	37.13	0.986	25.04
__E15DHR__	15	0.551	14.00	0.682	17.32	0.901	22.89	1.187	30.15	1.501	38.13	1.025	26.04
__E16DHR__	16	0.591	15.00	0.722	18.32	0.941	23.89	1.227	31.15	1.541	39.13	1.065	27.05
__E17DHR__	17	0.630	16.00	0.761	19.32	0.980	24.89	1.266	32.15	1.580	40.13	1.104	28.04
__E18DHR__	18	0.669	17.00	0.800	20.32	1.019	25.89	1.305	33.15	1.619	41.13	1.143	29.03
__E19DHR__	19	0.709	18.00	0.840	21.32	1.059	26.89	1.345	34.15	1.659	42.13	1.183	30.05
__E20DHR__	20	0.748	19.00	0.879	22.32	1.098	27.89	1.384	35.15	1.698	43.13	1.222	31.04
__E21DHR__	21	0.787	20.00	0.918	23.32	1.137	28.89	1.423	36.15	1.737	44.13	1.261	32.03
__E22DHR__	22	0.827	21.00	0.958	24.32	1.177	29.89	1.463	37.15	1.777	45.13	1.301	33.05
__E23DHR__	23	0.866	22.00	0.997	25.32	1.216	30.89	1.502	38.15	1.816	46.13	1.340	34.04
__E24DHR__	24	0.906	23.00	1.037	26.32	1.256	31.89	1.542	39.15	1.856	47.13	1.380	35.05
__E25DHR__	25	0.945	24.00	1.076	27.32	1.295	32.89	1.581	40.15	1.895	48.13	1.419	36.04
__E26DHR__	26	0.984	25.00	1.115	28.32	1.334	33.89	1.620	41.15	1.934	49.13	1.458	37.03
__E27DHR__	27	1.024	26.00	1.155	29.32	1.374	34.89	1.660	42.15	1.974	50.13	1.498	38.05
__E28DHR__	28	1.063	27.00	1.194	30.32	1.413	35.89	1.699	43.15	2.013	51.13	1.537	39.04
__E29DHR__	29	1.102	28.00	1.233	31.32	1.452	36.89	1.738	44.15	2.052	52.13	1.576	40.03
__E30DHR__	30	1.142	29.00	1.273	32.32	1.492	37.89	1.778	45.15	2.092	53.13	1.616	41.05
__E31DHR__	31	1.181	30.00	1.312	33.32	1.531	38.89	1.817	46.15	2.131	54.13	1.655	42.04
__E32DHR__	32	1.220	31.00	1.351	34.32	1.570	39.89	1.856	47.15	2.170	55.13	1.694	43.03
__E33DHR__	33	1.260	32.00	1.391	35.32	1.610	40.89	1.896	48.15	2.210	56.13	1.734	44.04
__E34DHR__	34	1.299	33.00	1.430	36.32	1.649	41.89	1.935	49.15	2.249	57.13	1.773	45.03
__E35DHR__	35	1.339	34.00	1.470	37.32	1.689	42.89	1.975	50.15	2.289	58.13	1.813	46.05
__E36DHR__	36	1.378	35.00	1.509	38.32	1.728	43.89	2.014	51.15	2.328	59.13	1.852	47.04
__E37DHR__	37	1.417	36.00	1.548	39.32	1.767	44.89	2.053	52.15	2.367	60.13	1.891	48.03
__E38DHR__	38	1.457	37.00	1.588	40.32	1.807	45.89	2.093	53.15	2.407	61.13	1.931	49.05
__E39DHR__	39	1.496	38.00	1.627	41.32	1.846	46.89	2.132	54.15	2.446	62.13	1.970	50.04
__E40DHR__	40	1.535	39.00	1.666	42.32	1.885	47.89	2.171	55.15	2.485	63.13	2.009	51.03
__E41DHR__	41	1.575	40.00	1.706	43.32	1.925	48.89	2.211	56.15	2.525	64.13	2.049	52.04
__E42DHR__	42	1.614	41.00	1.745	44.32	1.964	49.89	2.250	57.15	2.564	65.13	2.088	53.04
__E43DHR__	43	1.654	42.00	1.785	45.32	2.004	50.89	2.290	58.15	2.604	66.13	2.128	54.05
__E44DHR__	44	1.693	43.00	1.824	46.32	2.043	51.89	2.329	59.15	2.643	67.13	2.167	55.04
__E45DHR__	45	1.732	44.00	1.863	47.32	2.082	52.89	2.368	60.15	2.682	68.13	2.206	56.03
__E46DHR__	46	1.772	45.00	1.903	48.32	2.122	53.89	2.408	61.15	2.722	69.13	2.246	57.05
__E47DHR__	47	1.811	46.00	1.942	49.32	2.161	54.89	2.447	62.15	2.761	70.13	2.285	58.04
__E48DHR__	48	1.850	47.00	1.981	50.32	2.200	55.89	2.486	63.15	2.800	71.13	2.324	59.03
__E49DHR__	49	1.890	48.00	2.021	51.32	2.240	56.89	2.526	64.15	2.840	72.13	2.364	60.05
__E50DHR__	50	1.929	49.00	2.060	52.32	2.279	57.89	2.565	65.15	2.879	73.13	2.403	61.04



# CUSTOMER COPY



RoHS COMPLIANT

UNLESS OTHERWISE SPECIFIED:  
DIMENSIONS ARE IN MM (INCHES)

TOLERANCES:

ANGULAR: ± 1°

DECIMALS

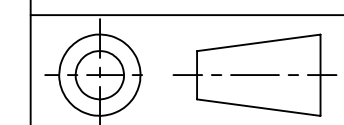
.X=± .5 [.02]

.XX=± .13 [.005]

.XXX=± .013 [.0005]

DRAWN	DATE	NAME
	12/19/2005	HT

THE INFORMATION HEREIN CONTAINS PROPRIETARY INFORMATION OF SULLINS ELECTRONICS AND IS NOT TO BE REPRODUCED, USED OR DISCLOSED TO OTHERS FOR ANY PURPOSE EXCEPT AS SPECIFICALLY AUTHORIZED IN WRITING BY AN OFFICER OF SULLINS ELECTRONICS.



TITLE  
EDGECARD, 1mm CC

PART NUMBER  
\_\_E\_\_DHR\_\_

SIZE	CAGE CODE	DWG. NO.	REV
C	54453	C10645	G

SCALE: 3:1 SHEET 3 OF 3