



Chipsmall Limited consists of a professional team with an average of over 10 year of expertise in the distribution of electronic components. Based in Hongkong, we have already established firm and mutual-benefit business relationships with customers from,Europe,America and south Asia,supplying obsolete and hard-to-find components to meet their specific needs.

With the principle of “Quality Parts,Customers Priority,Honest Operation,and Considerate Service”,our business mainly focus on the distribution of electronic components. Line cards we deal with include Microchip,ALPS,ROHM,Xilinx,Pulse,ON,Everlight and Freescale. Main products comprise IC,Modules,Potentiometer,IC Socket,Relay,Connector.Our parts cover such applications as commercial,industrial, and automotives areas.

We are looking forward to setting up business relationship with you and hope to provide you with the best service and solution. Let us make a better world for our industry!



## Contact us

Tel: +86-755-8981 8866 Fax: +86-755-8427 6832

Email & Skype: info@chipsmall.com Web: www.chipsmall.com

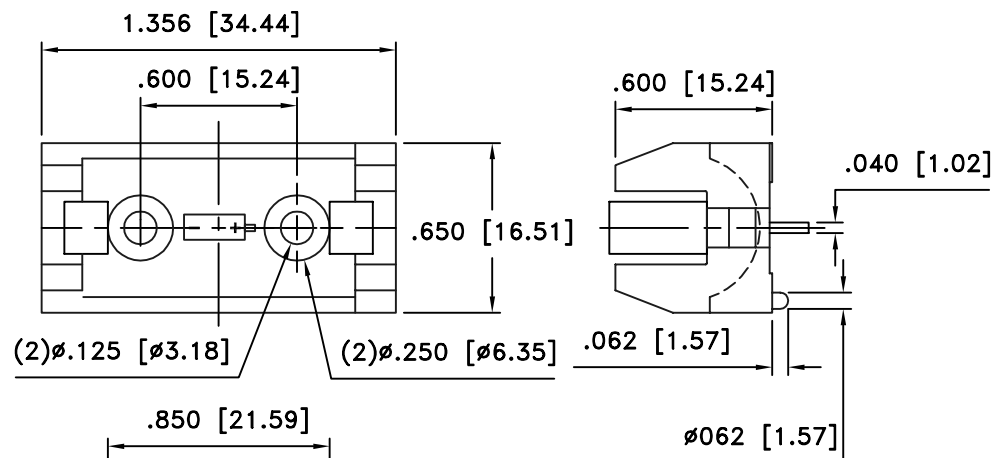
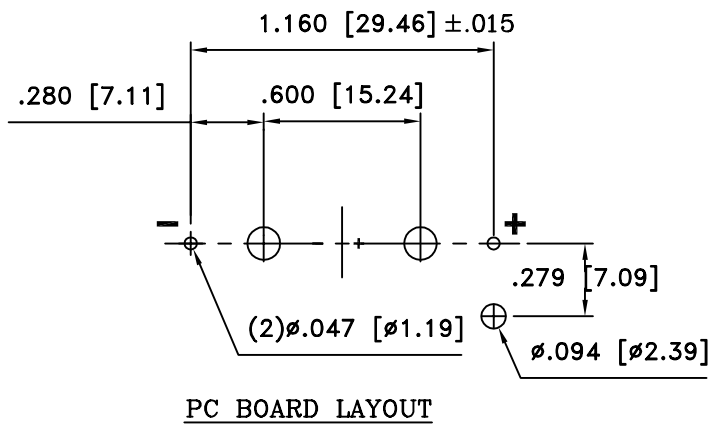
Address: A1208, Overseas Decoration Building, #122 Zhenhua RD., Futian, Shenzhen, China



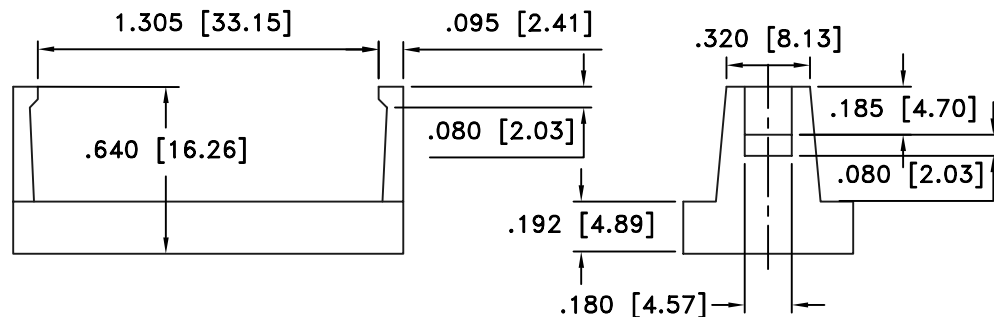
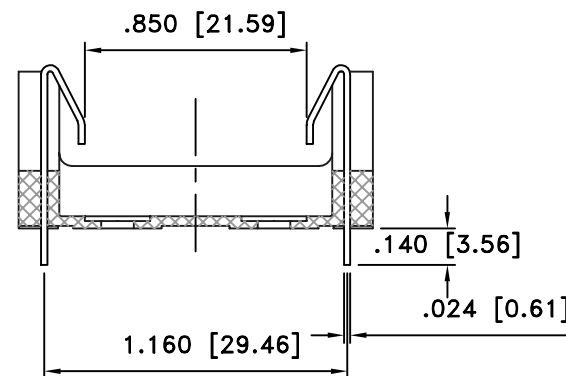
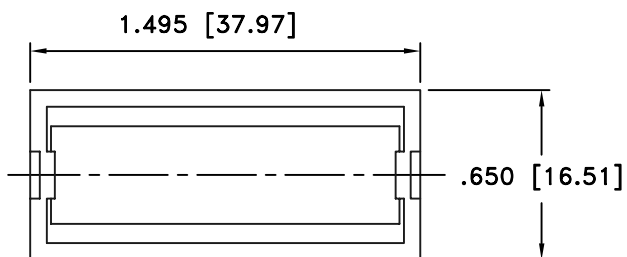
BODY: PBT THERMOPLASTIC DIELECTRIC STRENGTH, IN AIR, 125 MILS 490/V-MIL  
 PER ASTM D 149 FLAMMABILITY RATING, 94V-0(TESTED THICKNESS) .028 PER UL 94. UL FILE NO. E121562.  
 COVER: ABS RESIN R/C 100°( R SCALE) PER ASTM D 785 VICAT SOFTENING TEMP. 90°C PER ASTM D 1525  
 FLAMMABILITY RATING, 94V-0(TESTING THICKNESS) .062 PER UL 94. UL FILE NO. E56070  
 CONTACTS: #302 SPRING TEMPER STAINLESS STEEL, NICKEL PLATED .0005" MIN THICKNESS, OVERALL  
 TYPICAL EYELET: STIMPSON # A1737 .122 O.D.x.230 FLANGE(OR EQUAL)  
 ROHS COMPLIANT


Date	SYM	REVISION RECORD	AUTH	DR.	CK.
1/07/06	A	ADDED "ROHS COMPLIANT"	T.B.	B.S.	

### BATTERY HOLDER



### COVER



Tolerance (Except as noted)	 <b>Memory Protection Devices, Inc</b> 200 Broad Hollow Road, Farmingdale, New York 11735	Scale	Drawn By T.S.
decimal ±.5 (.020)		2=1	Approved By T.B.
Fractional ± .8 (.030)	Title 1/2 AA HOLDER, ALSO ACCEPTS 6V CELLS LIKE PX28L, 2CRL, L544, K28L (A)		
Angular ± 3°	Date 1/07/06	Drawing Number ABH1/2AA	