



Chipsmall Limited consists of a professional team with an average of over 10 year of expertise in the distribution of electronic components. Based in Hongkong, we have already established firm and mutual-benefit business relationships with customers from,Europe,America and south Asia,supplying obsolete and hard-to-find components to meet their specific needs.

With the principle of “Quality Parts,Customers Priority,Honest Operation,and Considerate Service”,our business mainly focus on the distribution of electronic components. Line cards we deal with include Microchip,ALPS,ROHM,Xilinx,Pulse,ON,Everlight and Freescale. Main products comprise IC,Modules,Potentiometer,IC Socket,Relay,Connector.Our parts cover such applications as commercial,industrial, and automotives areas.

We are looking forward to setting up business relationship with you and hope to provide you with the best service and solution. Let us make a better world for our industry!



## Contact us

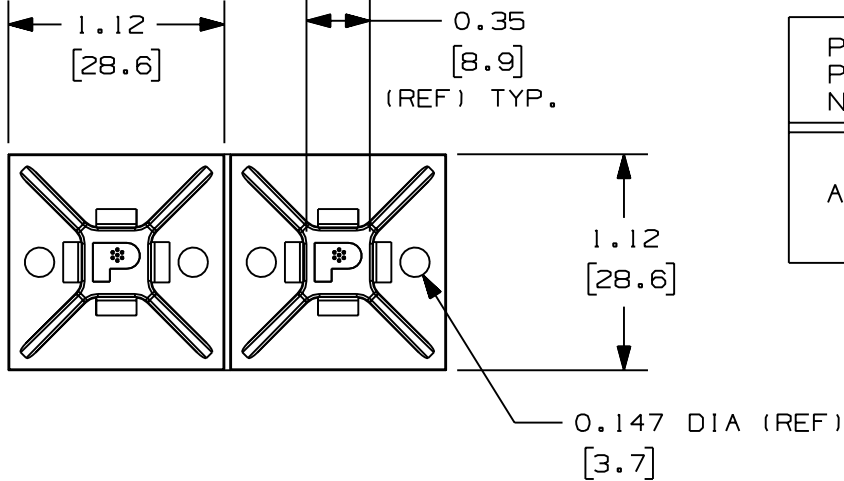
Tel: +86-755-8981 8866 Fax: +86-755-8427 6832

Email & Skype: info@chipsmall.com Web: www.chipsmall.com

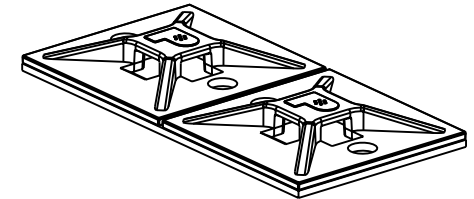
Address: A1208, Overseas Decoration Building, #122 Zhenhua RD., Futian, Shenzhen, China



THIS COPY IS PROVIDED ON A RESTRICTED BASIS AND IS NOT TO BE USED IN ANY WAY DETRIMENTAL TO THE INTERESTS OF PANDUIT CORP.



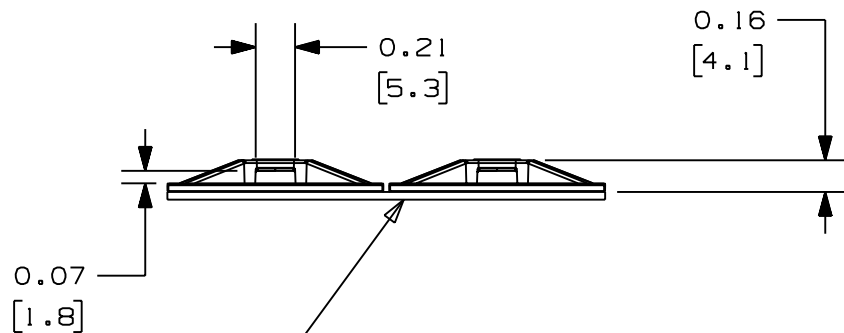
PANDUIT PART NUMBER *	WEIGHT lbs/100 pcs (g)/100 pcs	USE WITH ANY OF THESE CABLE TIE CROSS-SECTIONS
ABM112-	WITH ADHESIVE 0.30 (136)	M, I, S
	NO ADHESIVE 0.26 (117)	



No warranty, expressed or implied, is made by Panduit with respect to adhesive bond performance. Among other things, the conditions under which these mounts may be applied and/or the surface to which they may be applied are beyond Panduit's control.

NOTES:

- SEE CURRENT PRICE SHEET FOR PART NUMBER SUFFIX DESIGNATION FOR PACKAGE SIZE AND COLOR.
- A SUFFIX REPRESENTS RUBBER ADHESIVE  
-AT SUFFIX REPRESENTS ACRYLIC ADHESIVE  
-S6 SUFFIX, NO ADHESIVE; SCREW APPLIED WITH A #6 M3 SCREW
- ADHESIVE MOUNTS ARE SUPPLIED IN STRIPS OF TWO.
- ABM112-A HAS A CONTINUOUS OPERATING TEMPERATURE OF 120°F (49°C). ABM112-AT HAS A CONTINUOUS OPERATING TEMPERATURE OF 180°F (82°C).



Adhesive Backing; Pressure Sensitive Adhesive Foam Tape 0.04 (1.0) thick with a protective liner. Mount is designed to support 0.63 lbs. (286g) max. weight on a clean, dry, smooth, grease free surface.

DIMENSIONS IN BRACKETS ARE METRIC [ mm ]	
CAD FILENAME/LAYERS G00239F0_PB_ABM112_05	
<p style="text-align: center;">ABM112- 4 WAY MOUNT</p>	
UNLESS OTHERWISE SPECIFIED, DIMENSIONAL TOLERANCES ARE: (.X) ±0.05 (1.3) (.XXX) ±0.010 (0.25) (.XX) ±0.02 (0.5) ANGLES ± 5°	UNLESS OTHERWISE SPECIFIED, ALL DIMENSIONS ARE GIVEN IN INCHES, THIRD ANGLE PROJECTION.
DRAWN BY JAD	MAT'L: NYLON 6/6
DATE 12-17-97	SCALE FULL
CHK'D	DRAWING NO. GB0239F0
	DWG SIZE A

REV	DATE	BY	CHK	DESCRIPTION	ECN	R	CUST	SUP
5	3/30/06	JAD		DEL ABM30, MOVE TO NEW DWG	GB0239F0	5		