



Chipsmall Limited consists of a professional team with an average of over 10 year of expertise in the distribution of electronic components. Based in Hongkong, we have already established firm and mutual-benefit business relationships with customers from,Europe,America and south Asia,supplying obsolete and hard-to-find components to meet their specific needs.

With the principle of “Quality Parts,Customers Priority,Honest Operation,and Considerate Service”,our business mainly focus on the distribution of electronic components. Line cards we deal with include Microchip,ALPS,ROHM,Xilinx,Pulse,ON,Everlight and Freescale. Main products comprise IC,Modules,Potentiometer,IC Socket,Relay,Connector.Our parts cover such applications as commercial,industrial, and automotives areas.

We are looking forward to setting up business relationship with you and hope to provide you with the best service and solution. Let us make a better world for our industry!



Contact us

Tel: +86-755-8981 8866 Fax: +86-755-8427 6832

Email & Skype: info@chipsmall.com Web: www.chipsmall.com

Address: A1208, Overseas Decoration Building, #122 Zhenhua RD., Futian, Shenzhen, China



ULTRA MINIATURE CERAMIC GLASS SEALED SMD CRYSTAL



3.2 x 2.5 x 1.0mm

ABM8G

Pb in glass exemption 7 (c)-I per
RoHS II 2011/65/EU Annex

RoHS/RoHS II Compliant

Moisture Sensitivity Level (MSL) – This product is Hermetically Sealed and not Moisture Sensitive - MSL = N/A: Not Applicable

➤ **FEATURES:**

- Low in height; suitable for thin equipment
- Glass sealed package assures high reliability and high temperature operation
- Tight tolerance and stability available
- IR reflow capable
- Low cost version of ABM8 crystal

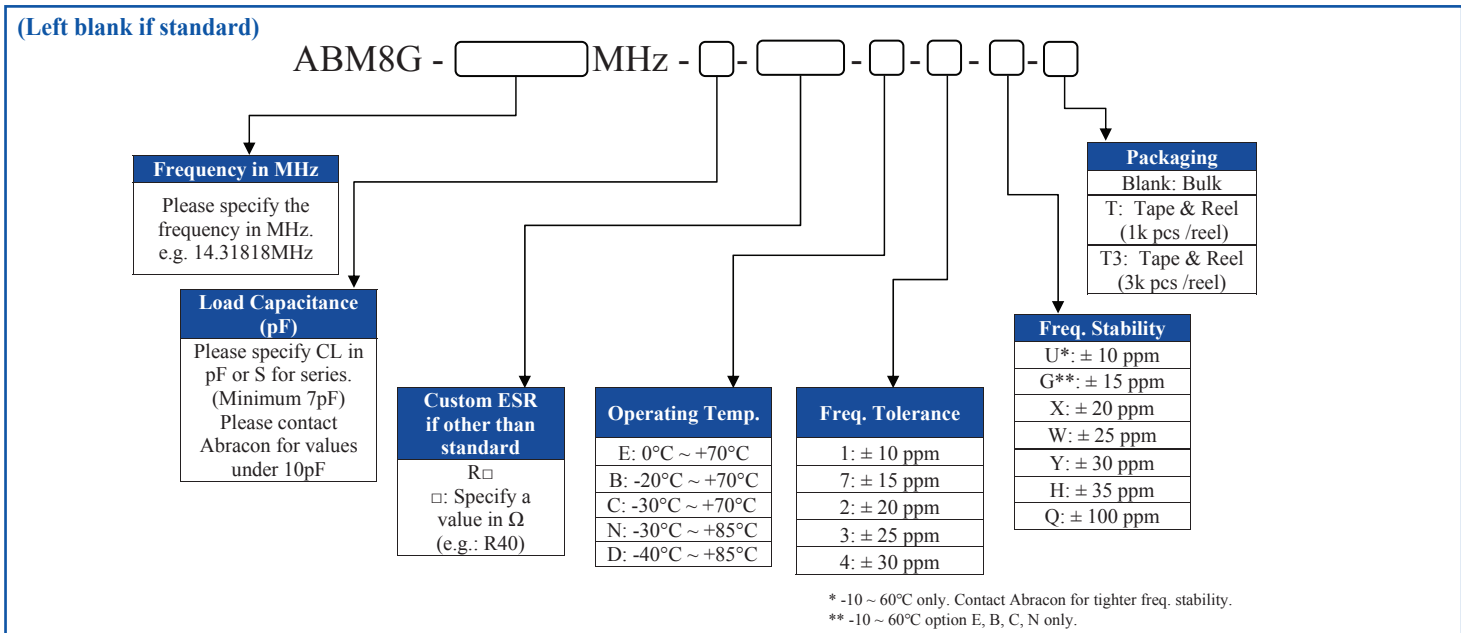
➤ **APPLICATIONS:**

- High density applications.
- Modems, communication and test equipment.
- PCMCIA, wireless applications

➤ **STANDARD SPECIFICATIONS:**

| Parameters | Minimum | Typical | Maximum | Units | Notes |
|--|-------------|---------|---------|-------|-----------------------|
| Frequency Range | 12.000 | | 50.000 | MHz | |
| Operation Mode | Fundamental | | | | |
| Operating Temperature | -10 | | +60 | °C | See options |
| Storage Temperature | -40 | | +85 | °C | |
| Frequency Tolerance @+25°C | -50 | | +50 | ppm | See options |
| Frequency Stability over the Operating Temperature (ref. to +25°C) | -50 | | +50 | ppm | See options |
| Equivalent series resistance | | | 120 | Ω | 12.000MHz |
| | | | 80 | | 12.001MHz ~ 20.000MHz |
| | | | 60 | | 20.001MHz ~ 28.000MHz |
| | | | 50 | | 28.001MHz ~ 50.000MHz |
| Shunt capacitance (C0) | | | 5.0 | pF | |
| Load capacitance (CL) | 10 | | | pF | See options |
| Drive Level | | 10 | 100 | μW | |
| Aging@25°C±3°C | | | ±3 | ppm | First year |
| Insulation Resistance | 500 | | | M Ω | @ 100Vdc ± 15V |

➤ **OPTIONS & PART IDENTIFICATION:**



ULTRA MINIATURE CERAMIC GLASS SEALED SMD CRYSTAL



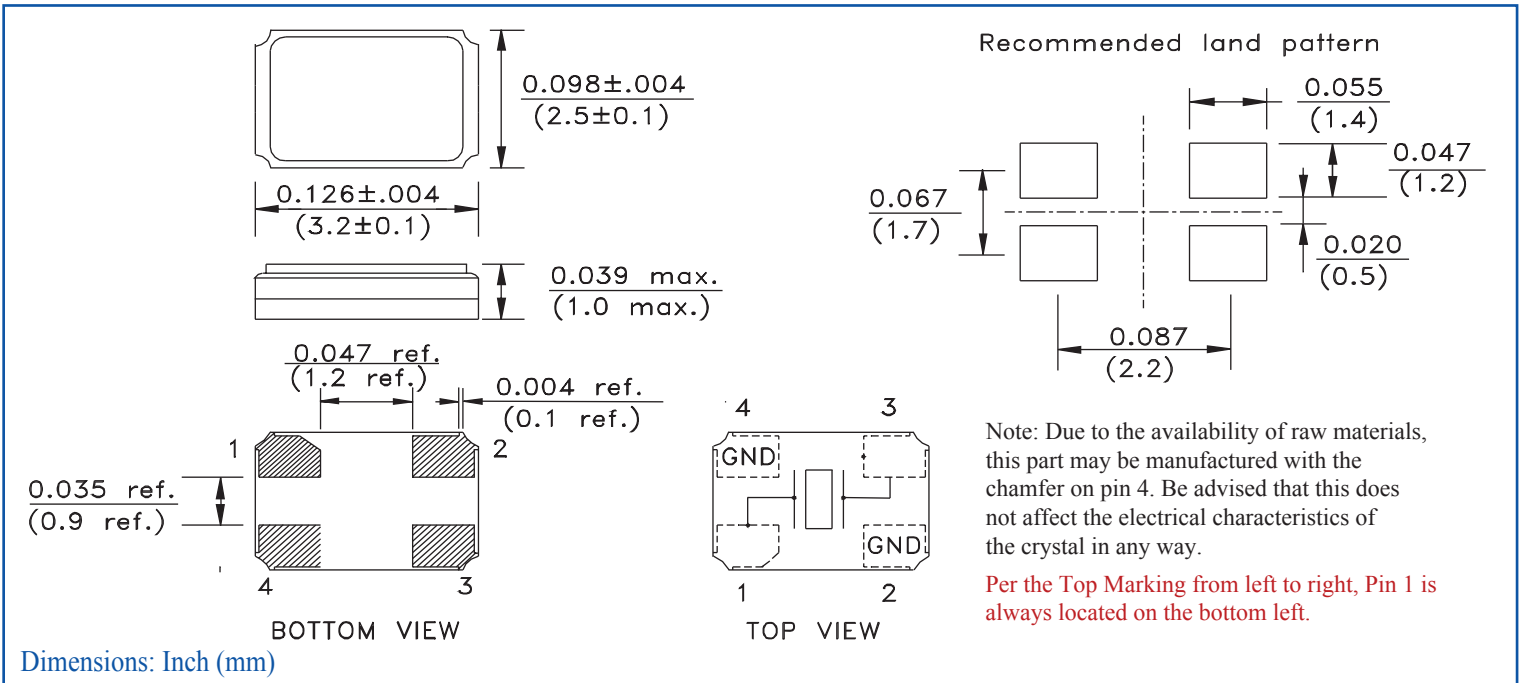
3.2 x 2.5 x 1.0mm

ABM8G

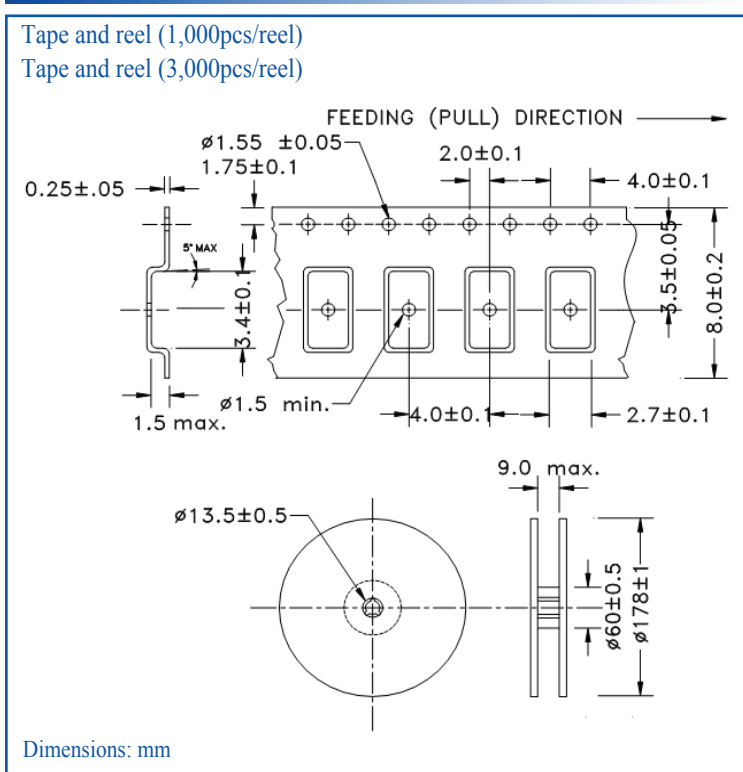
Pb in glass exemption 7 (c)-I per
RoHS II 2011/65/EU Annex

RoHS/RoHS II Compliant

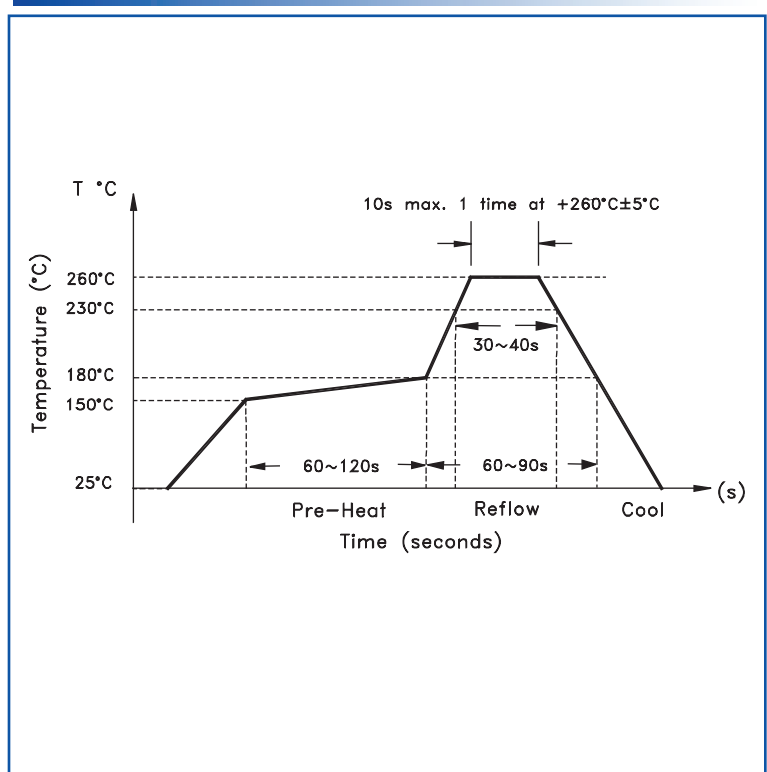
OUTLINE DRAWING:



TAPE & REEL:



REFLOW PROFILE:



Need a test socket for the ABM8G Series? To view compatible **PRECISION TEST & BURN-IN SOCKETS** for these parts, [click here](#).

ATTENTION: Abracon Corporation's products are COTS – Commercial-Off-The-Shelf products; suitable for Commercial, Industrial and, where designated, Automotive Applications. Abracon's products are not specifically designed for Military, Aviation, Aerospace, Life-dependant Medical applications or any application requiring high reliability where component failure could result in loss of life and/or property. For applications requiring high reliability and/or presenting an extreme operating environment, written consent and authorization from Abracon Corporation is required. Please contact Abracon Corporation for more information.



2 Faraday, Suite# B | Irvine | CA 92618 **Revised: 08.13.15**
Ph. 949.546.8000 | Fax. 949.546.8001
Visit www.abracon.com for Terms and Conditions of Sale