



Chipsmall Limited consists of a professional team with an average of over 10 year of expertise in the distribution of electronic components. Based in Hongkong, we have already established firm and mutual-benefit business relationships with customers from,Europe,America and south Asia,supplying obsolete and hard-to-find components to meet their specific needs.

With the principle of “Quality Parts,Customers Priority,Honest Operation,and Considerate Service”,our business mainly focus on the distribution of electronic components. Line cards we deal with include Microchip,ALPS,ROHM,Xilinx,Pulse,ON,Everlight and Freescale. Main products comprise IC,Modules,Potentiometer,IC Socket,Relay,Connector.Our parts cover such applications as commercial,industrial, and automotives areas.

We are looking forward to setting up business relationship with you and hope to provide you with the best service and solution. Let us make a better world for our industry!



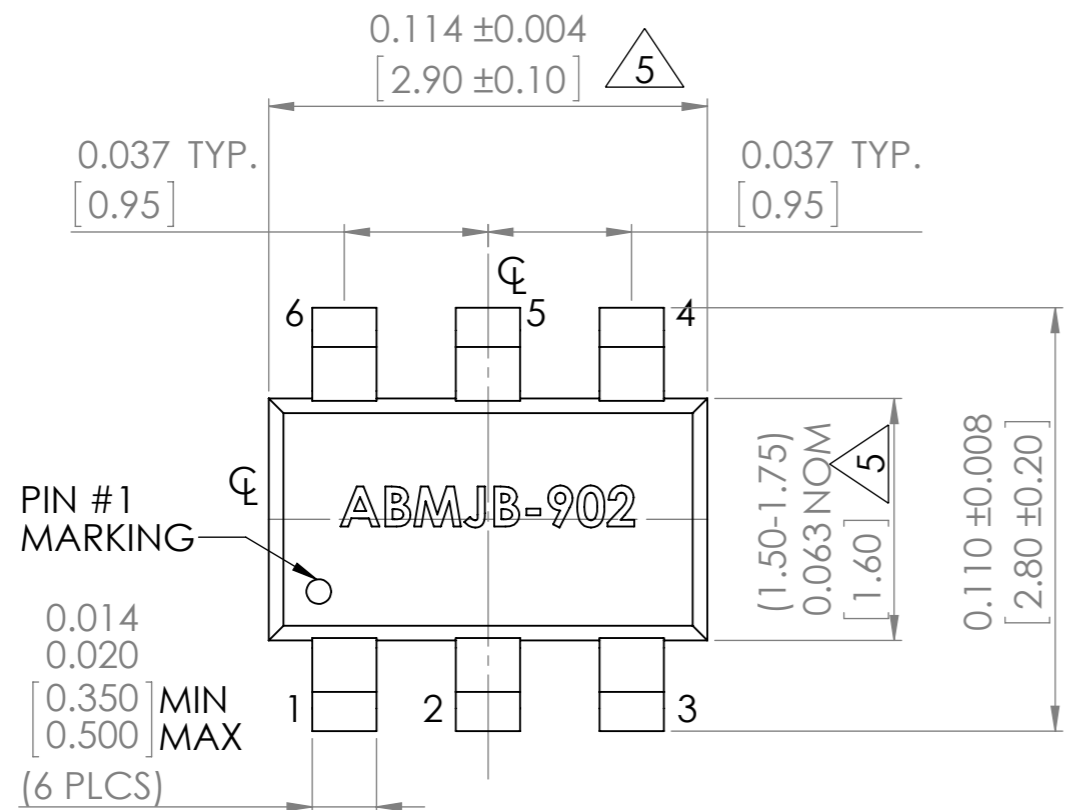
## Contact us

Tel: +86-755-8981 8866 Fax: +86-755-8427 6832

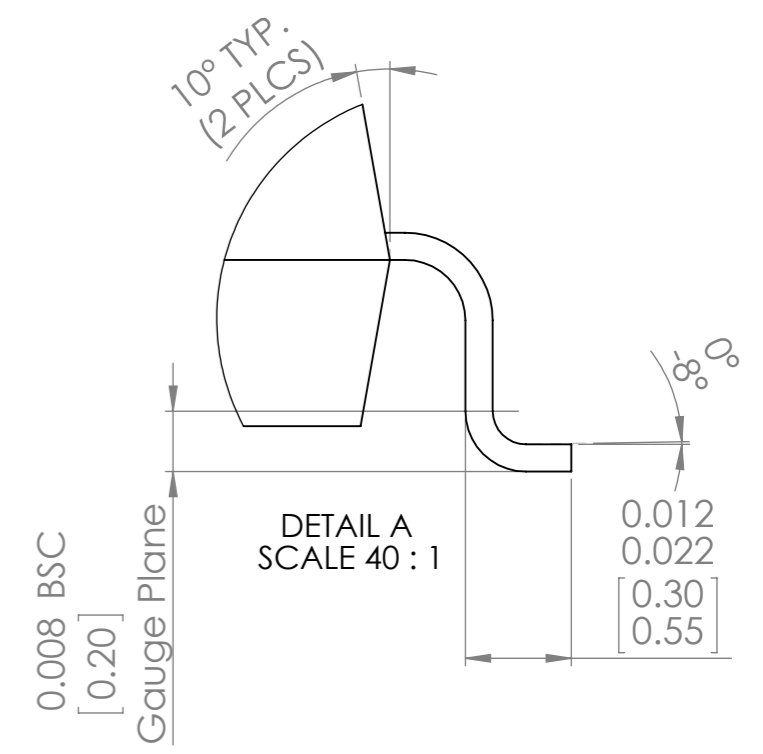
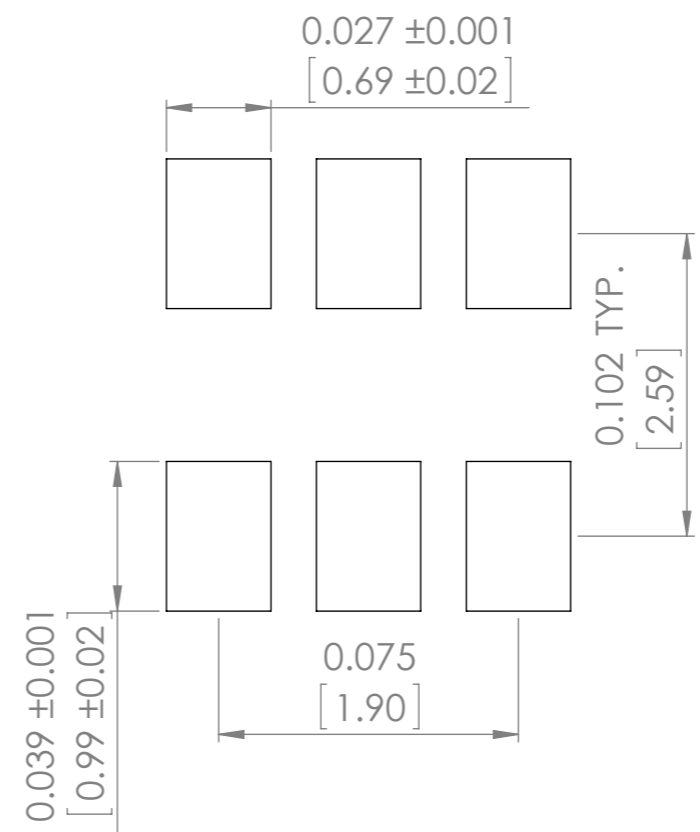
Email & Skype: info@chipsmall.com Web: www.chipsmall.com

Address: A1208, Overseas Decoration Building, #122 Zhenhua RD., Futian, Shenzhen, China

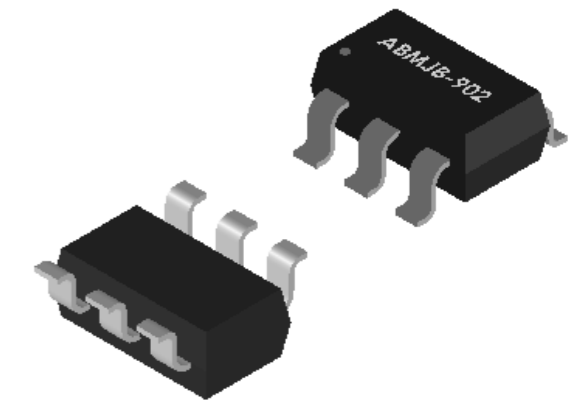
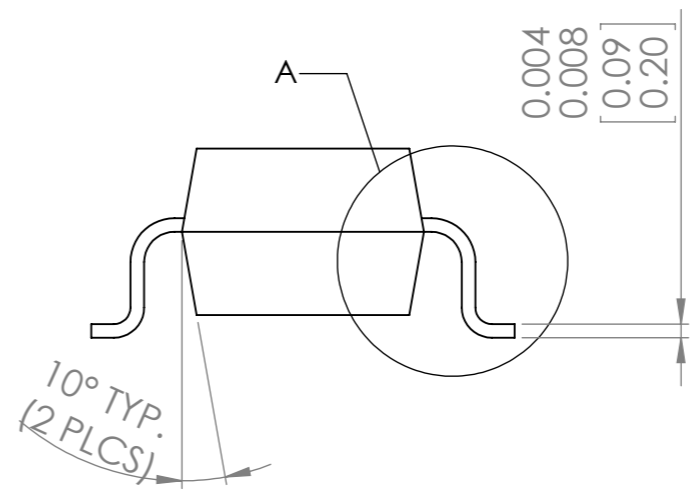
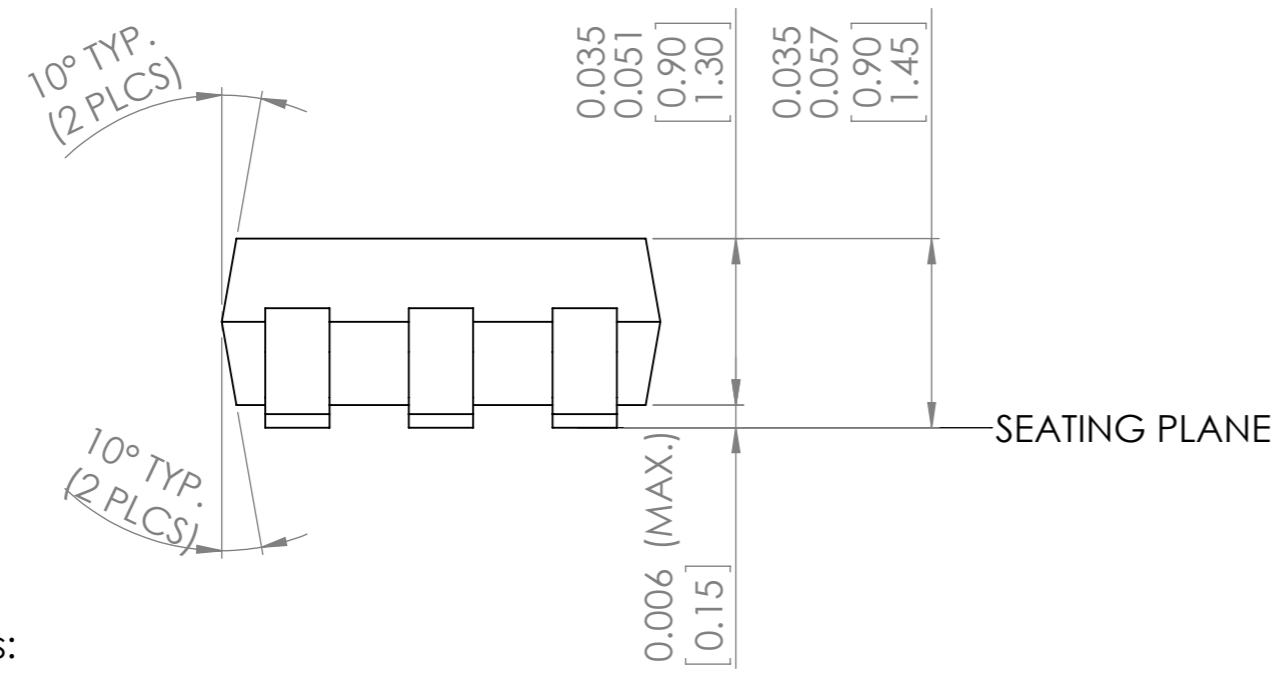




**Recommended Land pattern**



Pin No.	Configuration
1	PDB, OE,CLKI
2	GND
3	FREFIN
4	VDD
5	CSEL,CLK2
6	CLK0



**Notes:**

1. Dimensions and tolerances are as per ANSI Y14.5M, 1982
  2. Package surface to be mirror finish.
  3. Die is facing up for mold. Die is facing down for trim/form.i.e. rverse trim/form.
  4. The foot measuring is based on the gauge plane method.
- △ 5 Dimensions are exclusive of mold flash & gate burr.

UNLESS OTHERWISE SPECIFIED: DIMENSIONS ARE IN INCH(MM) SURFACE FINISH: TOLERANCES: LINEAR: ANGULAR:		FINISH:	DEBUR AND BREAK SHARP EDGES		DO NOT SCALE DRAWING	REVISION
DRAWN		SIGNATURE	DATE		 30332 Esperanza, Rancho Santa margarita, California 92688	
CHK'D	XXXXXX				TITLE:	
APP'V'D					-	
MFG					DWG NO.	A3
Q.A				MATERIAL:	ABMJ B-902	
				WEIGHT:	SCALE:20:1	SHEET 1 OF 1