



Chipsmall Limited consists of a professional team with an average of over 10 year of expertise in the distribution of electronic components. Based in Hongkong, we have already established firm and mutual-benefit business relationships with customers from,Europe,America and south Asia,supplying obsolete and hard-to-find components to meet their specific needs.

With the principle of “Quality Parts,Customers Priority,Honest Operation,and Considerate Service”,our business mainly focus on the distribution of electronic components. Line cards we deal with include Microchip,ALPS,ROHM,Xilinx,Pulse,ON,Everlight and Freescale. Main products comprise IC,Modules,Potentiometer,IC Socket,Relay,Connector.Our parts cover such applications as commercial,industrial, and automotives areas.

We are looking forward to setting up business relationship with you and hope to provide you with the best service and solution. Let us make a better world for our industry!



Contact us

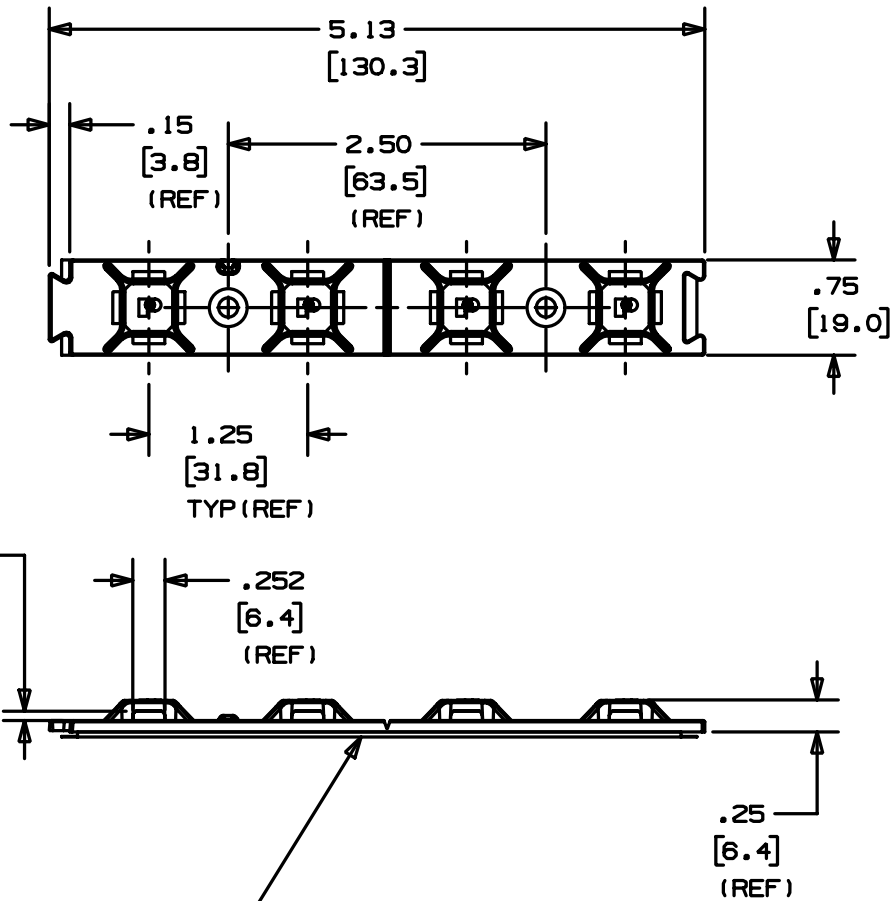
Tel: +86-755-8981 8866 Fax: +86-755-8427 6832

Email & Skype: info@chipsmall.com Web: www.chipsmall.com

Address: A1208, Overseas Decoration Building, #122 Zhenhua RD., Futian, Shenzhen, China



THIS COPY IS PROVIDED ON A RESTRICTED BASIS AND IS NOT TO BE USED IN ANY WAY DETRIMENTAL TO THE INTERESTS OF PANDUIT CORP.

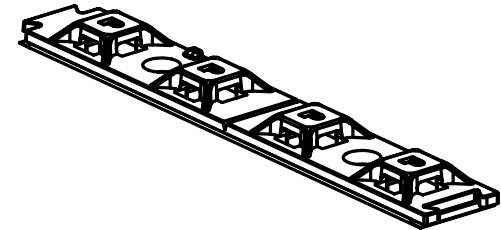


ADHESIVE BACKING: RUBBER OR ACRYLIC BASED PRESSURE SENSITIVE FOAM ADHESIVE TAPE 0.04 (1.0) REF. THICK WITH A PROTECTIVE LINER. MOUNT IS DESIGNED TO SUPPORT 1.85 lbs (838g) MAX. WEIGHT ON A CLEAN DRY SMOOTH SURFACE.

PANDUIT PART NO.	MOUNTING OPTIONS	WEIGHT lbs 10 (g) pcs
ABMQS-_-_-_-	A - RUBBER ADHESIVE AT - ACRYLIC ADHESIVE S6 - SCREW APPLIED	0.13 (58.97)

NOTES:

- SEE CURRENT PRICE SHEET FOR PACKAGE SIZE AND PRODUCT COLOR OPTIONS.
- PRODUCT HAS A CONTINUOUS OPERATING TEMPERATURE:
 - S6 185° F (85° C)
 - A 120° F (50° C)
 - AT 180° F (82° C)
- PRODUCT COMPATIBLE WITH CABLE TIE CROSS-SECTION(S):
 - S STANDARD
 - I INTERMEDIATE
 - M MINATURE
 SUPER GRIP CABLE TIES
 SG200
 SG250
 SG300



DIMENSIONS IN BRACKETS ARE METRIC [mm]

CAD FILENAME/LAYERS

G02722DC_PB_ABMQ_00

PANDUIT

CORP.

TINLEY PARK, ILLINOIS

ADHESIVE BACKED MULTIPLE
BRIDGE MOUNT
(ABMQS-_-_-_-)

UNLESS OTHERWISE SPECIFIED,
DIMENSIONAL TOLERANCES ARE:
(.X) ±0.05 (1.3) (.XX) ±0.010 (0.25)
(.XX) ±0.02 (0.5) ANGLES ± 5°

UNLESS OTHERWISE SPECIFIED,
ALL DIMENSIONS ARE GIVEN
IN INCHES, THIRD ANGLE PROJECTION.

REV	DATE	BY	CHK	DESCRIPTION	ECN	R	CUST	SUP
R	2/28/05	TMSA		INITIAL RELEASE	GB2722DC	R		

DRAWN BY JAD	MAT'L: ABS	SCALE NONE
DATE 2/28/05		DRAWING NO. GB2722DC
GR'D		DWG A SIZE