



Chipsmall Limited consists of a professional team with an average of over 10 year of expertise in the distribution of electronic components. Based in Hongkong, we have already established firm and mutual-benefit business relationships with customers from,Europe,America and south Asia,supplying obsolete and hard-to-find components to meet their specific needs.

With the principle of "Quality Parts,Customers Priority,Honest Operation,and Considerate Service",our business mainly focus on the distribution of electronic components. Line cards we deal with include Microchip,ALPS,ROHM,Xilinx,Pulse,ON,Everlight and Freescale. Main products comprise IC,Modules,Potentiometer,IC Socket,Relay,Connector.Our parts cover such applications as commercial,industrial, and automotives areas.

We are looking forward to setting up business relationship with you and hope to provide you with the best service and solution. Let us make a better world for our industry!



## Contact us

Tel: +86-755-8981 8866 Fax: +86-755-8427 6832

Email & Skype: info@chipsmall.com Web: www.chipsmall.com

Address: A1208, Overseas Decoration Building, #122 Zhenhua RD., Futian, Shenzhen, China



# Chip NTC Thermistor

ABNTC-0805

RoHS/RoHS II Compliant



2.0 x 1.25 x 0.85 mm

## FEATURES:

- Large B constant for high temperature sensing capability
- Designed for high density
- Available in standard EIA compatible case size
- Internal electrode designed for enhanced reliability
- Excellent aging stability

## APPLICATIONS:

- For temperature measurement or sensor: Digital thermometer, measuring instruments, temperature controller
- For temperature compensation: transistor circuit, TCXO, Crystal Oscillator
- LED lighting driver, Notebook, Cell Phone, Power Supplies, Disk Drive

## STANDARD SPECIFICATIONS:

**Operating Temperature:** -55°C ~+125°C

**Storage Temperature:** -10°C ~ +40°C and RH 75% (Max.)

Part Number	Resistance at 25°C R25 (kΩ)	B constant (25-50°C) (K)	Max. Permissive Operating Current (25°C) (mA)	Thermal Time Constant	Dissipation Factor (mW/°C)	Rated Electric Power (mW)
ABNTC-0805-202Δ-3950□	2.0	3950	1.0	<5sec	2.0	200
ABNTC-0805-502Δ-3950□	5.0	3950	0.60			
ABNTC-0805-682Δ-3950□	6.8	3950	0.50			
ABNTC-0805-103Δ-3450□	10	3450	0.40			
ABNTC-0805-103Δ-3950□	10	3950	0.44			
ABNTC-0805-153Δ-3500□	15	3500	0.32			
ABNTC-0805-223Δ-4050□	22	4050	0.31			
ABNTC-0805-473Δ-4150□	47	4150	0.20			
ABNTC-0805-503Δ-4150□	50	4150	0.18			
ABNTC-0805-683Δ-4150□	68	4150	0.16			
ABNTC-0805-104Δ-4250□	100	4250	0.14			
ABNTC-0805-154Δ-4300□	150	4300	0.11			
ABNTC-0805-224Δ-4350□	220	4350	0.08			
ABNTC-0805-334Δ-4400□	330	4400	0.06			
ABNTC-0805-474Δ-4500□	470	4500	0.05			
ABNTC-0805-684Δ-4500□	680	4500	0.04			
ABNTC-0805-135Δ-4700□	1300	4700	0.03			

Δ Please specify the tolerance code of R25 (F=±1%, H=±3%, J=±5%, K=±10%).

□: Please specify the tolerance code of B value (F=±1%, H=±3%).

## Test Conditions

Unless otherwise specified, the standard atmospheric conditions for measurement/test as:

- a. Ambient Temperature: 20±15°C
- b. Relative Humidity: 65±20%
- c. Air Pressure: 86 kPa to 106 kPa

# Chip NTC Thermistor

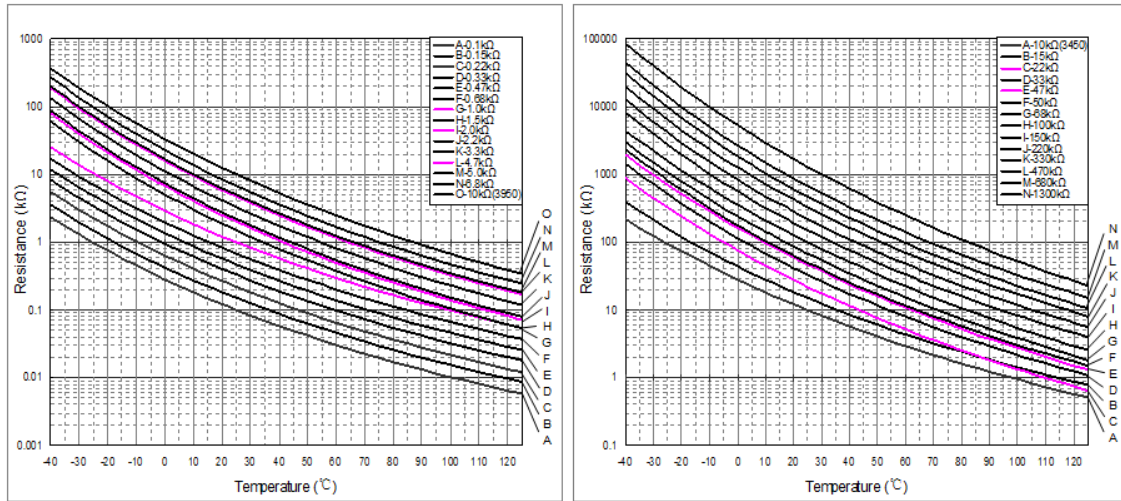
ABNTC-0805

RoHS/RoHS II Compliant



2.0 x 1.25 x 0.85 mm

## ELECTRICAL CHARACTERISTICS CURVES

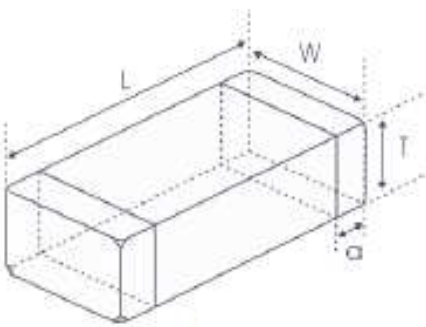


## OPTIONS AND PART IDENTIFICATION:

ABNTC-0805-   -   - T

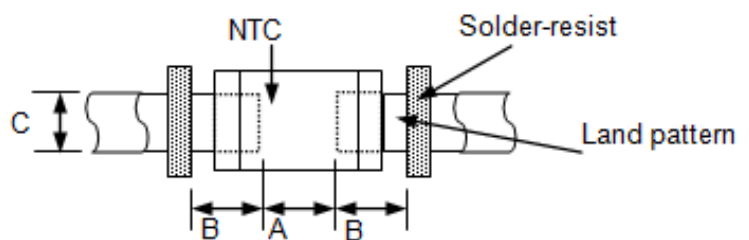
<b>R25 Code</b> Please refer to the table above	<b>R 25 Tolerance</b> F=±1% H=±3% J=±5% K=±10%	<b>B Constant</b> Please refer to the table above	<b>B Tolerance</b> F=±1% H=±3%	<b>Packaging</b> T: Tape and Reel (4kpcs / reel)
--	--	--	--------------------------------------	---

## OUTLINE DIMENSION:



L	W	T	a
2.0±0.2	1.25±0.2	0.85±0.2	0.5±0.3

## Recommended Land Pattern



A	B	C
0.80~1.20	0.80~1.20	0.90~1.60

Dimension: mm

# Chip NTC Thermistor

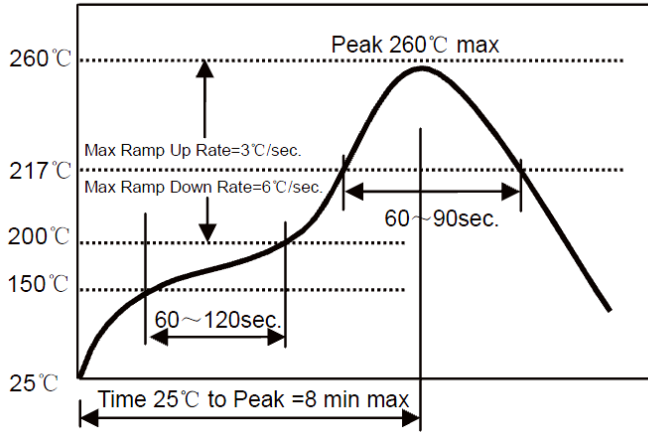
ABNTC-0805

RoHS/RoHS II Compliant



2.0 x 1.25 x 0.85 mm

## REFLOW PROFILE:



Preheat Condition	150 to 200 °C; 60 to 120 sec.
Allowed time above 217 °C	60 to 90 sec.
Max temperature	260 °C
Max time at max temperature	10 sec.
Solder paste	Sn/3.0Ag/0.5Cu
Allowed Reflow time	2x max.

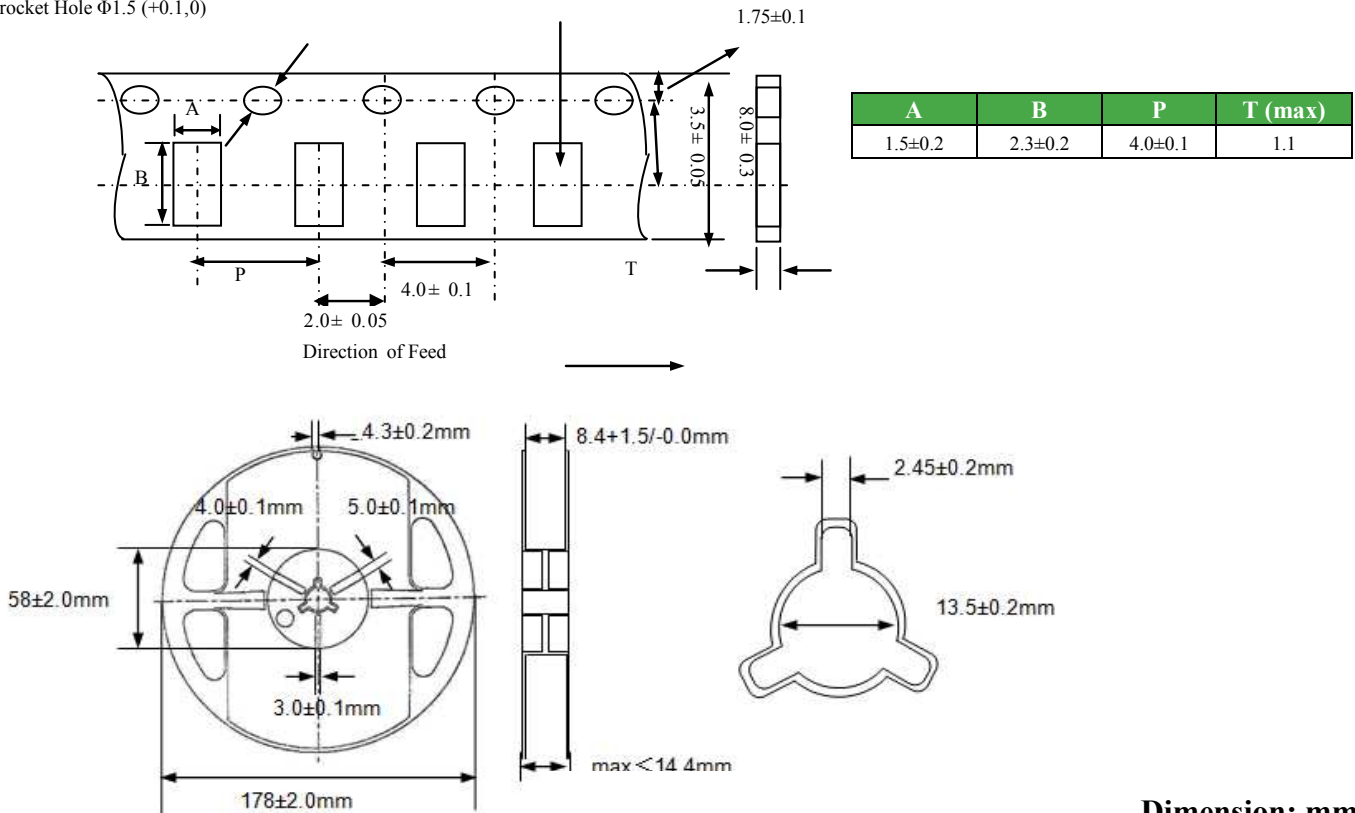
## TAPE & REEL:

### Packing

T: 4,000pcs / reel

Sprocket Hole  $\Phi 1.5 (+0.1,0)$

Chip Cavity



Dimension: mm

**ATTENTION:** Abracon Corporation's products are COTS – Commercial-Off-The-Shelf products; suitable for Commercial, Industrial and, where designated, Automotive Applications. Abracon's products are not specifically designed for Military, Aviation, Aerospace, Life-dependant Medical applications or any application requiring high reliability where component failure could result in loss of life and/or property. For applications requiring high reliability and/or presenting an extreme operating environment, written consent and authorization from Abracon Corporation is required. Please contact Abracon Corporation for more information.

ABRACON IS  
ISO 9001:2008  
CERTIFIED



Visit [www.abracon.com](http://www.abracon.com) for Terms & Conditions of Sale **Revised: 05.05.14**  
30332 Esperanza, Rancho Santa Margarita, California 92688  
tel 949-546-8000 | fax 949-546-8001 | [www.abracon.com](http://www.abracon.com)